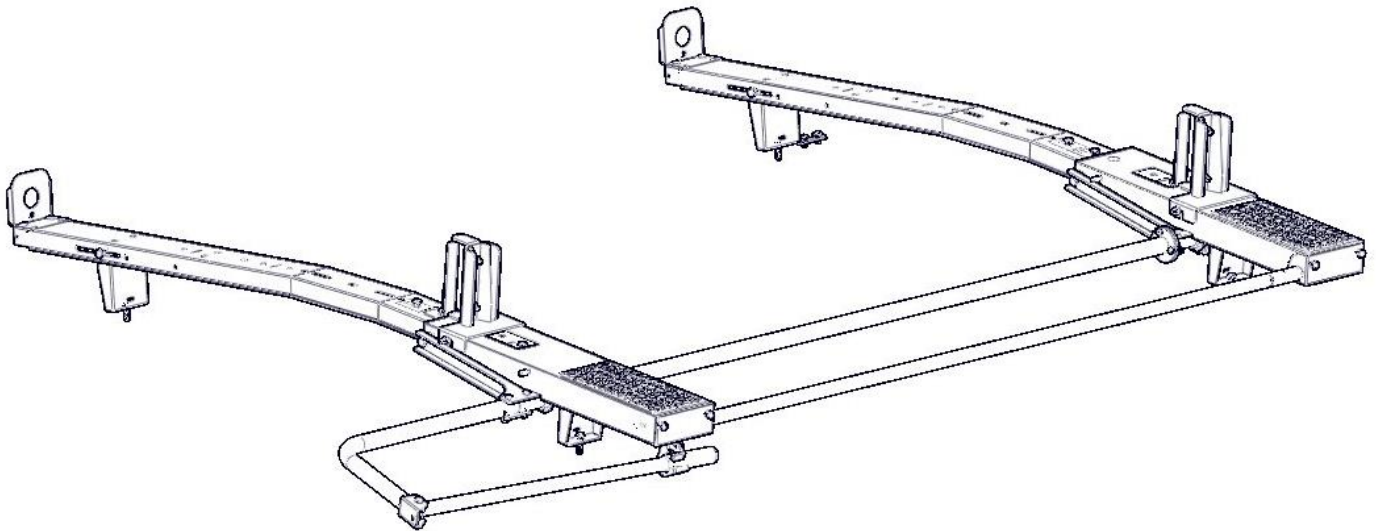


Holman

Installation Guide 4092L



Holman
Rancho Cordova, CA 95742
800-343-7486

InstallationSupport@Holman.com

PLEASE READ ALL INSTRUCTIONS AND WARNINGS PRIOR TO ASSEMBLING, INSTALLING, AND USING THIS PRODUCT.

Warning



Always check for wires, fuel tanks and lines, brake lines and other important vehicle functionality items prior to drilling and installing all products.

Table of Contents

Parts	2
Hardware.....	3
INSTALLATION PREPARATION	3
Step 1 – Install End Stop	4
Step 2 – Install Front and Rear Pan Assemblies	4
Step 3 – Install Torque Tube	5
Step 4 – Install Ladder Pan Support	6
Step 5 – Install Ladder Stops and Ladder Hooks	7
Extension Ladder Set-Up	7
Step Ladder Set-Up	8
Step 6 – Install Latch	8
Step 7 – Install Handle	9
Step 8 – Install Rack.....	9

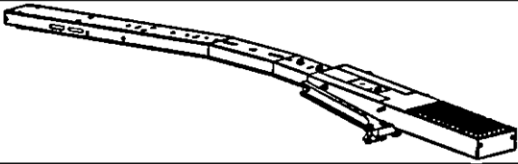
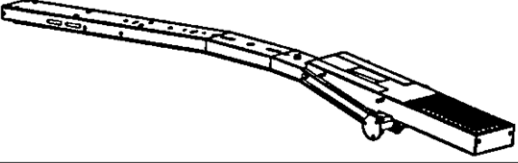
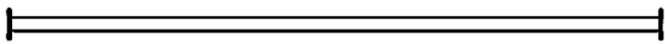
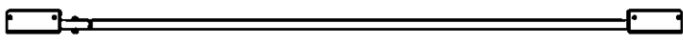



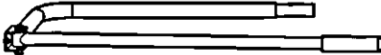
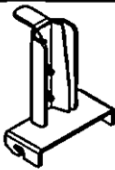
Tools Needed

1/2" Wrench and Socket	7/16" Wrench and Socket
9/16" Wrench and Socket	Tape Measure

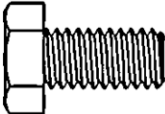
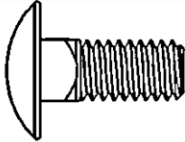

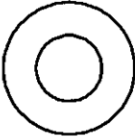
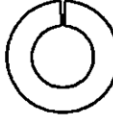
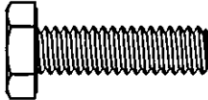


Before You Begin

- Read all instructions prior to assembling or installing any Holman product.
- **Always locate your installation locations prior to performing any work.**
- **ENSURE SAFETY WHILE INSTALLING OR DRILLING INTO VEHICLE.**
- **Be sure to put sealant around all threads entering cargo area and between the rubber spacer and roof of vehicle to prevent water from leaking into cargo area.**

Parts

NO.	ITEM	PART NUMBER	DESCRIPTION	QTY.
1		40800-03	REAR PAN ASSEMBLY	1
2		40800-14	FRONT PAN ASSEMBLY	1
3		40800-21	TORQUE TUBE ASM	1
4		40953-831	CROSSTUBE ASSEMBLY	1
5		40800-10-008	END STOP	2
6		40900-43	ASSEMBLY, HOOK, HANDLE, DROP DOWN, MINI	1
7		40900-30-004	LADDER STOP	2
8		40900-40-1-1	LOW ROOF HANDLE ASM	1
9		40900-31	LADDER HOOK ASSY.	2
10		18-4092L	HARDWARE-LOW ROOF DROP DOWN	1

Hardware

ITEM	HARDWARE TO SCALE	PART NUMBER	DESCRIPTION	QTY.
1		92865A580	5/16"-18 X 5/8" HEX HEAD BOLT	4
2		21810	5/16"-18 X 3/4" CARRIAGE BOLT	6
3		0169777	5/16"-18 NYLOC	6
4		33080	5/16" WASHER	10
5		1133620	5/16" LOCKING WASHER	4
6		13005	1/4"-20 X 7/8" HEX HEAD BOLT	6
7		33078	1/4" FLAT WASHER	12
8		37018	1/4"-20 NYLON INSERT LOCK NUT	6
9			SEALANT	1

INSTALLATION PREPARATION

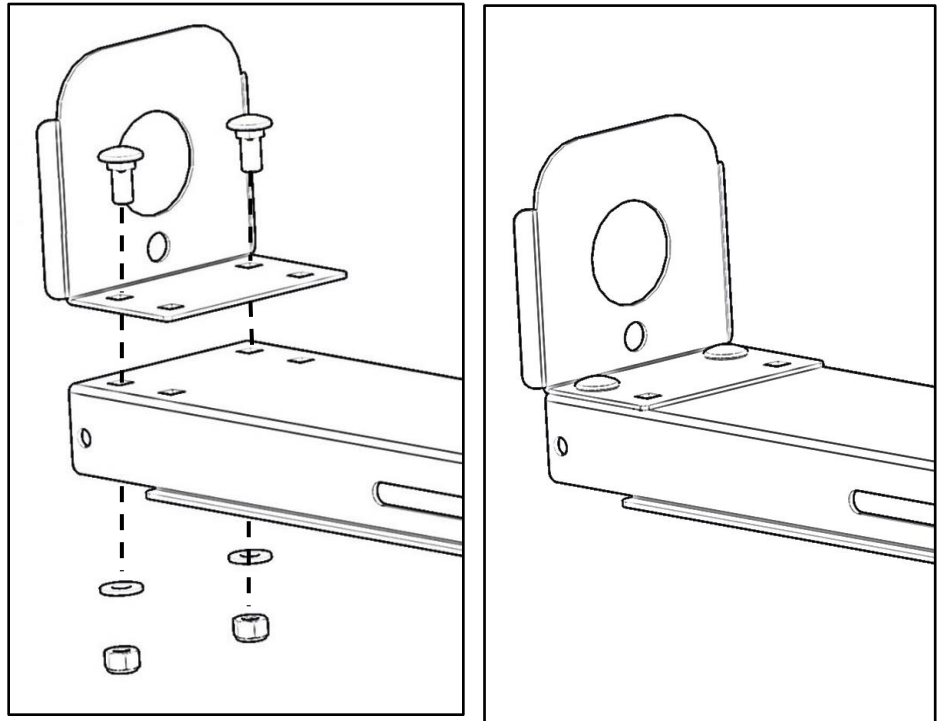
Mounting kit is sold separately.

BE SURE TO HAVE INSTALLED APPROPRIATE MOUNTING KIT PRIOR TO ASSEMBLY OF RACK.

Step 1 – Install End Stop

DO NOT install the end stop if installing a double drop down rack.

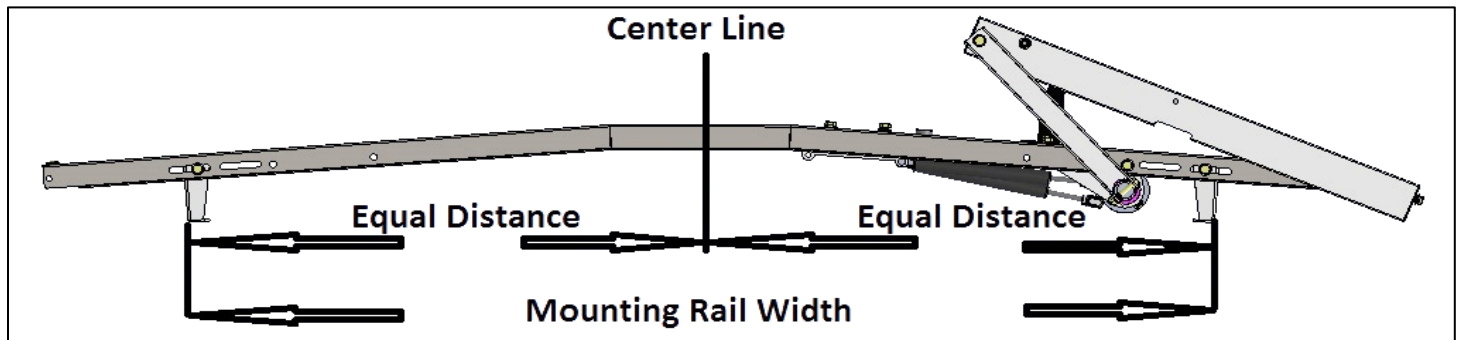
- Next bolt the end stop on the driver side of both bows using 5/16" x 3/4" carriage bolts with 5/16" lock nuts and 5/16" flat washers, as shown.
- Repeat for other pan assembly.



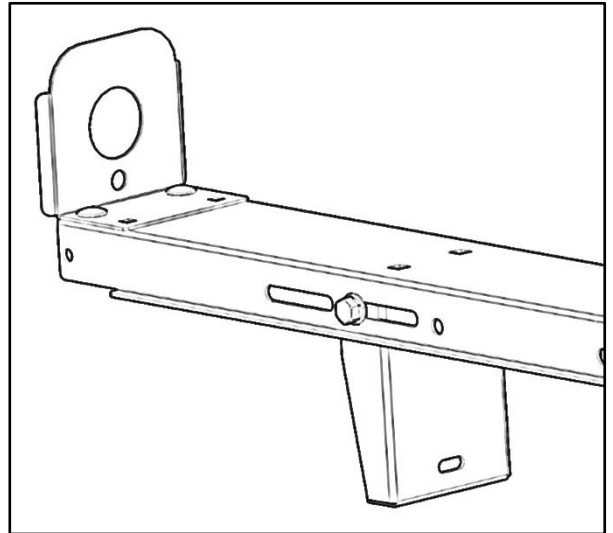
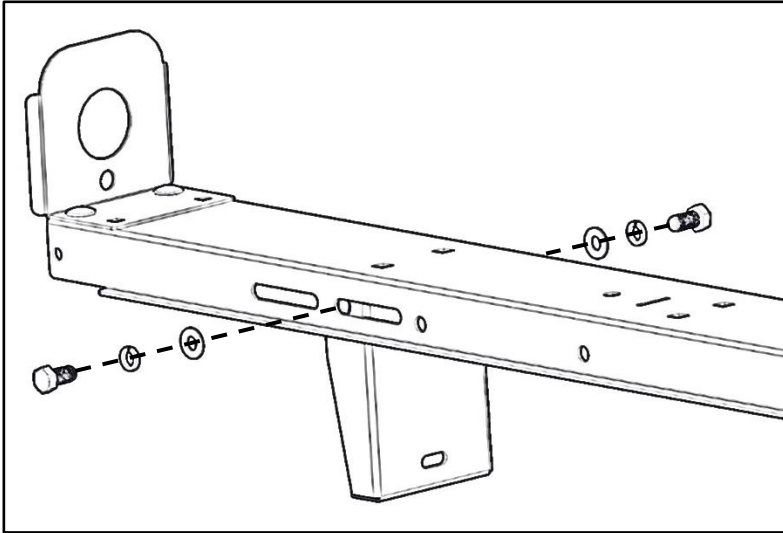
Step 2 – Install Front and Rear Pan Assemblies

If assembling rack off of vehicle, skip to Step 3 and return to Step 2 when finished with assembly.

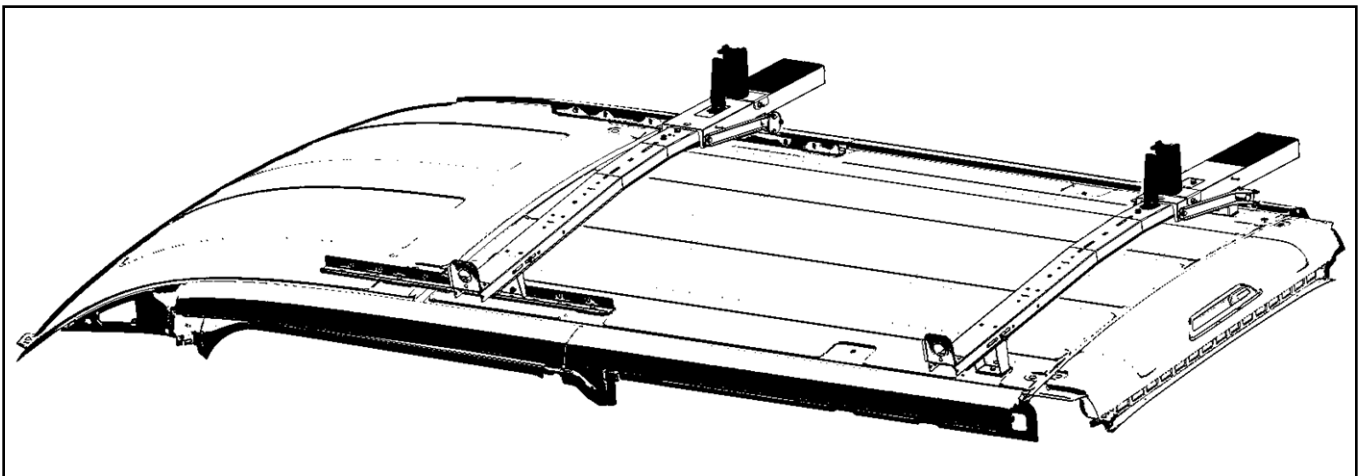
- Place rear pan assembly onto previously installed mount feet at the rear of the van. **Make sure the bow is centered along the van.**



- Using 3/8" x 3/4" hex head bolts, 3/8" split lock washers and 3/8" flat washers, bolt bow to feet.

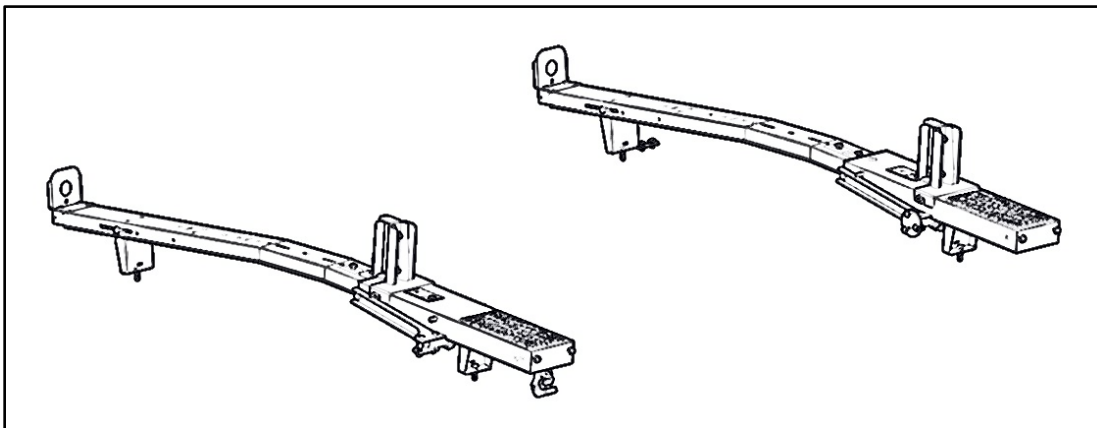


- Repeat on other side.
- Repeat using front bow.



Step 3 – Install Torque Tube

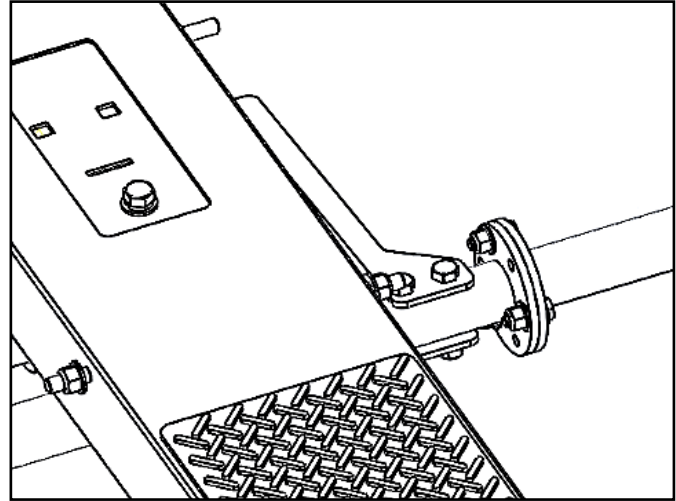
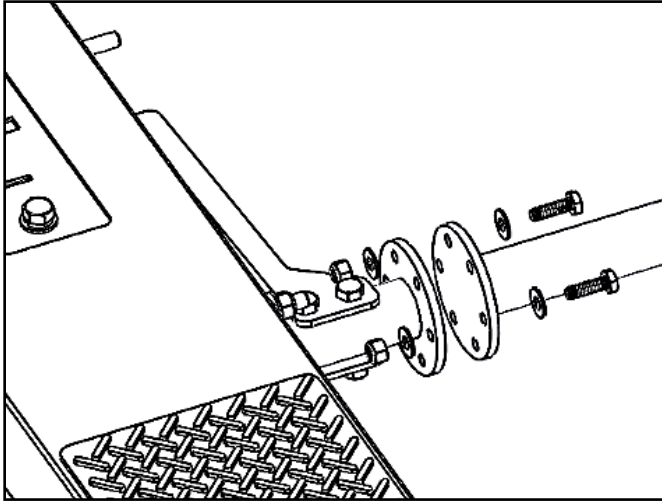
NOTE: BE SURE THE BOTH FRONT AND REAR LADDER PANS ARE ALL THE WAY DOWN ON THE BOWS WHILE TIGHTENING.



- Bolt torque tube to rear bow assembly using three 1/4" x 7/8" hex head bolts, six 1/4" flat washers and three 1/4" lock nuts.

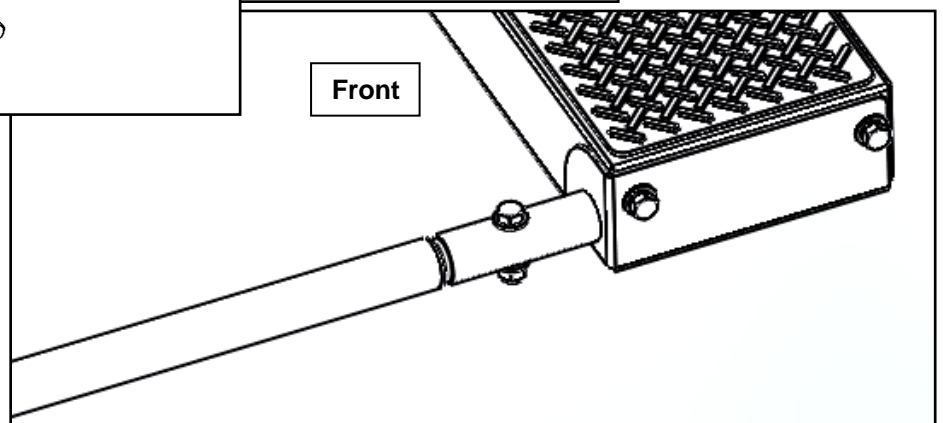
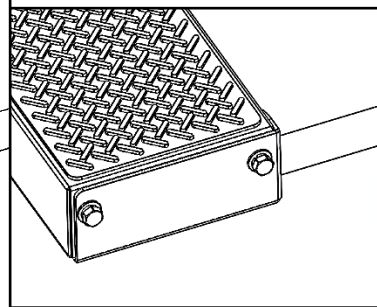
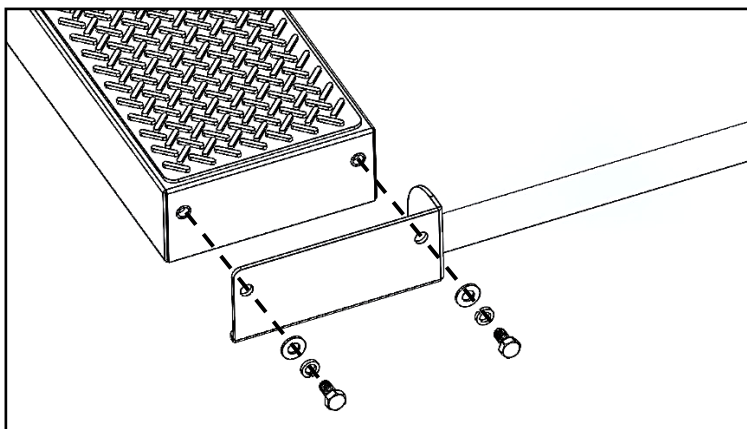
We recommend putting a foam packing block under the front of torque tube to make it level while tightening.

- Repeat process to bolt to the front bow assembly.



Step 4 – Install Ladder Pan Support

- Attach support tube to the ladder pan as shown using 5/16" x 5/8" hex head with 5/16" lock washers and 5/16" flat washers.
- Repeat at front and rear bow.

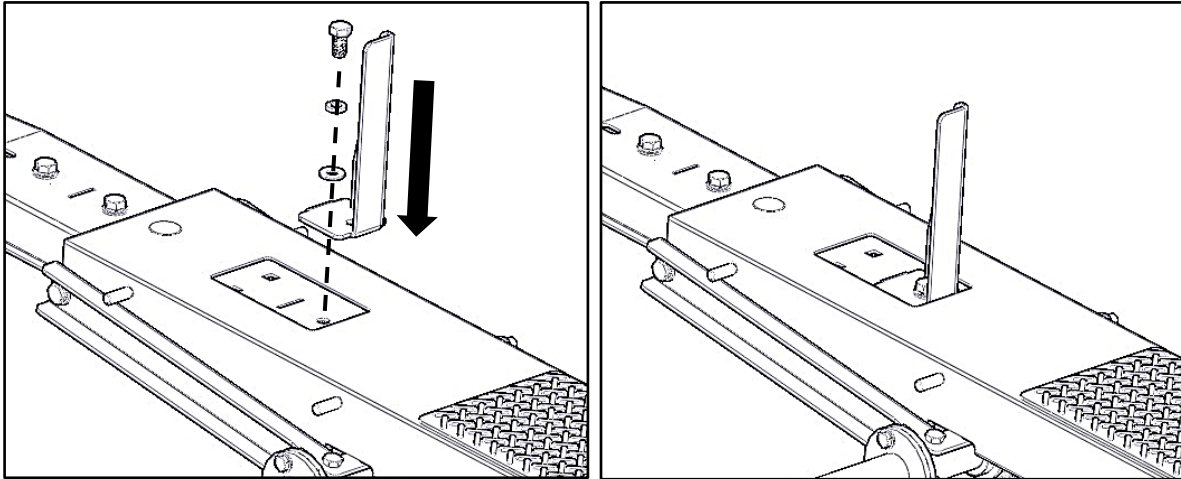


Step 5 – Install Ladder Stops and Ladder Hooks

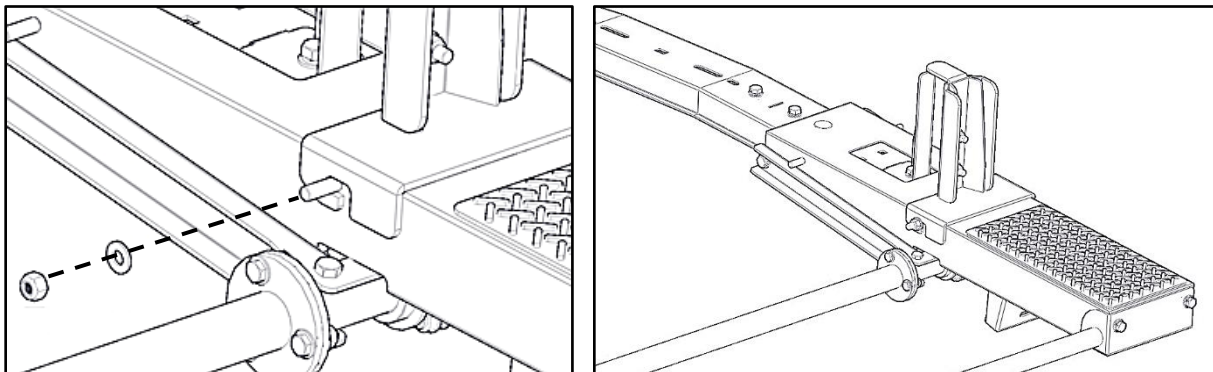
THE LADDER STOP INSTRUCTIONS DIFFER DEPENDING LADDER TO BE USED.

Extension Ladder Set-Up

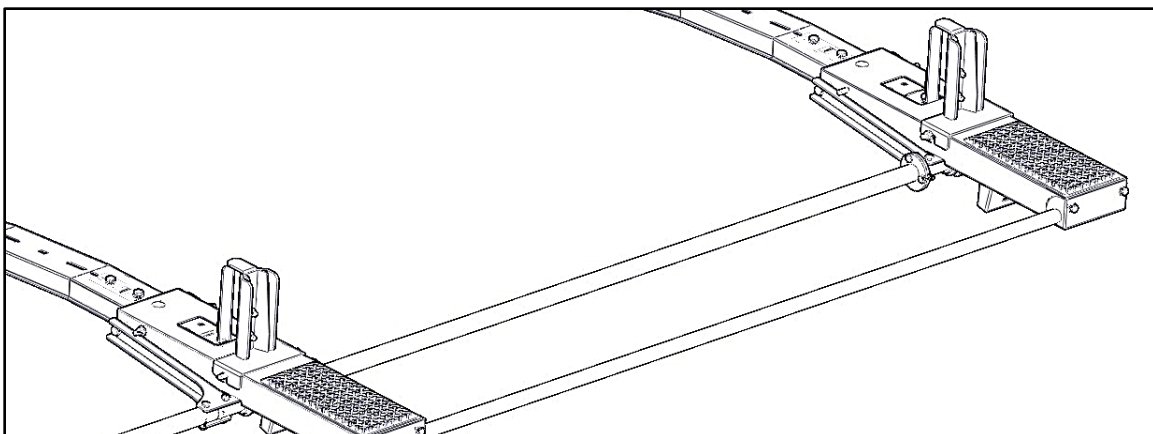
- On the front bow, remove 3/8" x 3/4" bolt, 3/8" split lock washer, and 3/8" flat washer from shown location.
- Using that same 3/8" hardware, install ladder stop to bow.



- Using a 5/16" flat washer and a 5/16" lock nut, bolt ladder hook to the lower position where the threaded studs are installed.
- Repeat on both sides of ladder hook.



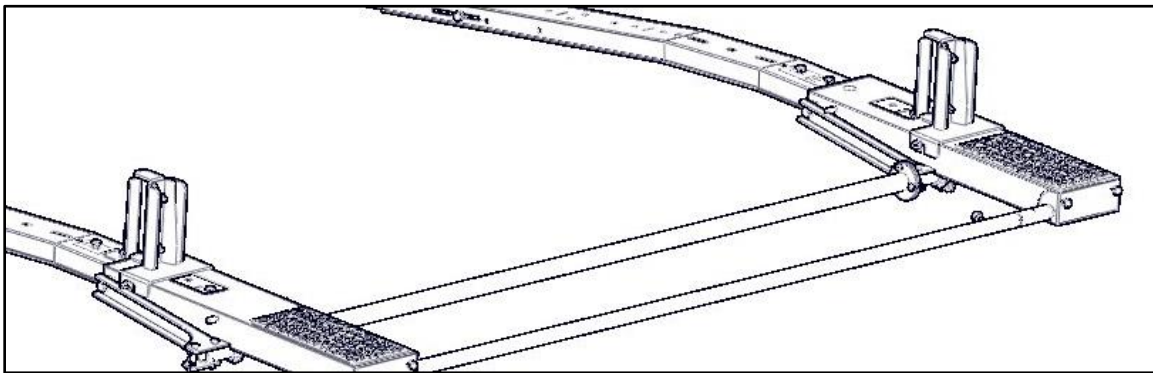
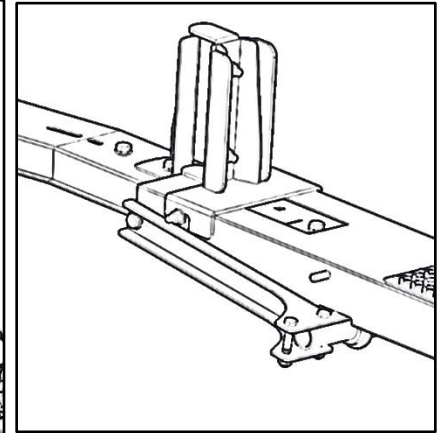
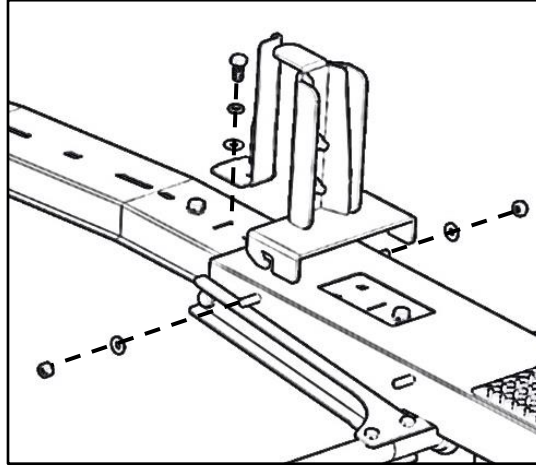
- If using an extension ladder put the ladder stop at the same location on the front & rear bow assembly.



Step Ladder Set-Up

If installing for a step ladder, move the ladder hook and ladder stop to the upper position **ON THE REAR BOW ONLY**.

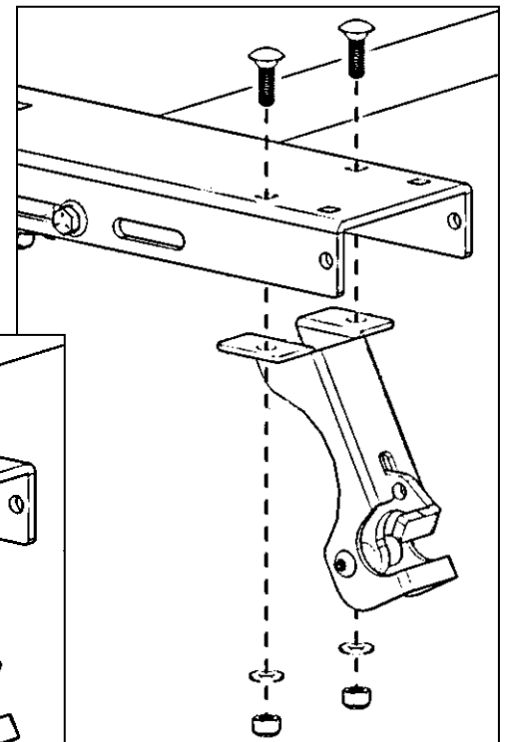
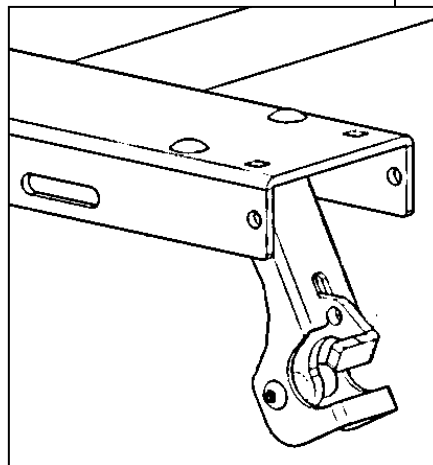
- Install using the 3/8" hardware into threaded studs farther towards the center of the bow.



Step 6 – Install Latch

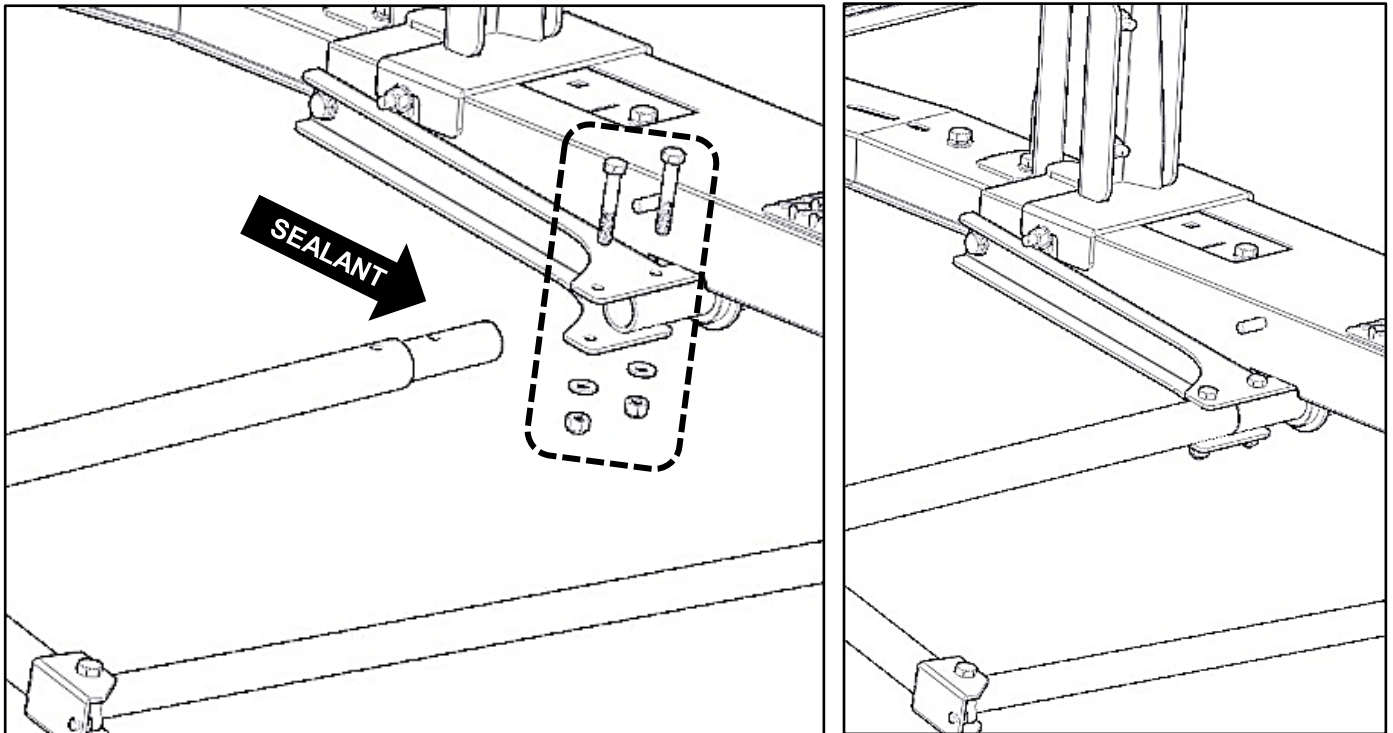
- Move rear pan assembly out of the way to expose the end of the cross member.
- Using 5/16" x 1" carriage bolts, 5/16" flat washers and 5/16" lock nuts, bolt through the middle set of square holes as shown.
- TIGHTEN.

NOTE: Shown without pan for clarity.



Step 7 – Install Handle

- Attach the handle to the rear bow assembly.



Step 8 – Install Rack

- If you built the rack on the bench, return to step 2.

GO BACK AND ENSURE ALL HARDWARE IS TIGHT.

YOUR INSTALLATION IS NOW COMPLETE.