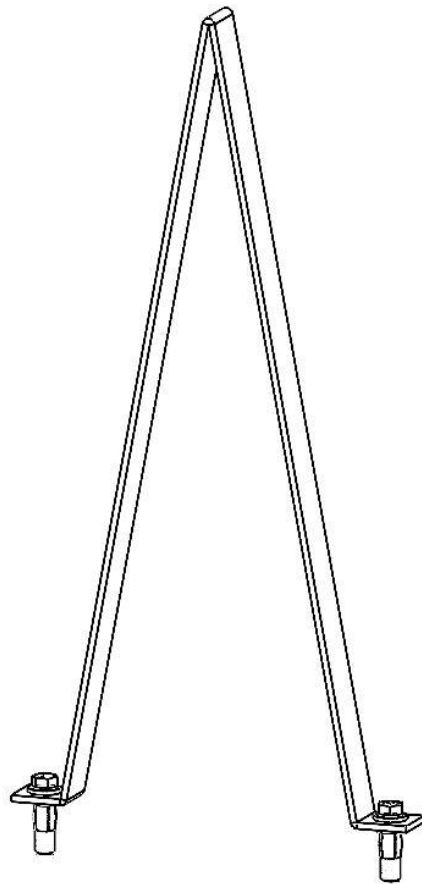


# Holman

---

## Installation Guide 40180

---



---

Holman  
Rancho Cordova, CA 95742  
800-343-7486  
InstallationSupport@Holman.com

---

---

**PLEASE READ ALL INSTRUCTIONS AND WARNINGS PRIOR TO ASSEMBLING, INSTALLING, AND USING THIS PRODUCT.**

---

**Warning**



Always check for wires, fuel tanks and lines, brake lines and other important vehicle functionality items prior to drilling and installing all products.

---

**Tools Needed**

25/64" Drill	7/16" Wrench and Socket
Plus Nut Tool	

---

**Table of Contents**

Parts List ..... 2

Hardware List ..... 2

Step 1 – Find Location ..... 3

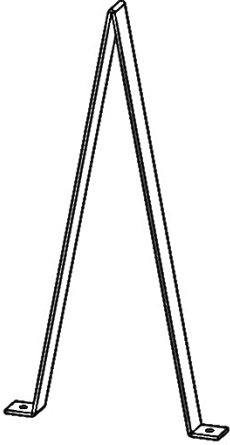
Step 2 – Attach ..... 4

---

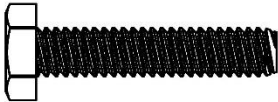
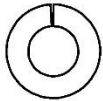
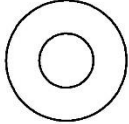
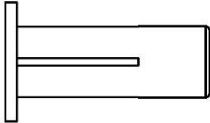
**Before You Begin**

- Read all instructions.
- **ENSURE SAFETY PRIOR TO DRILLING.**
- **Product can be installed anywhere on the floor of the vehicle. Be sure to ensure safety prior to drilling.**

## Parts List

ITEM NO.		PART NUMBER	DESCRIPTION	QTY.
A		40180-00-001	Cone Holder	1
		18-40180	Hardware	1

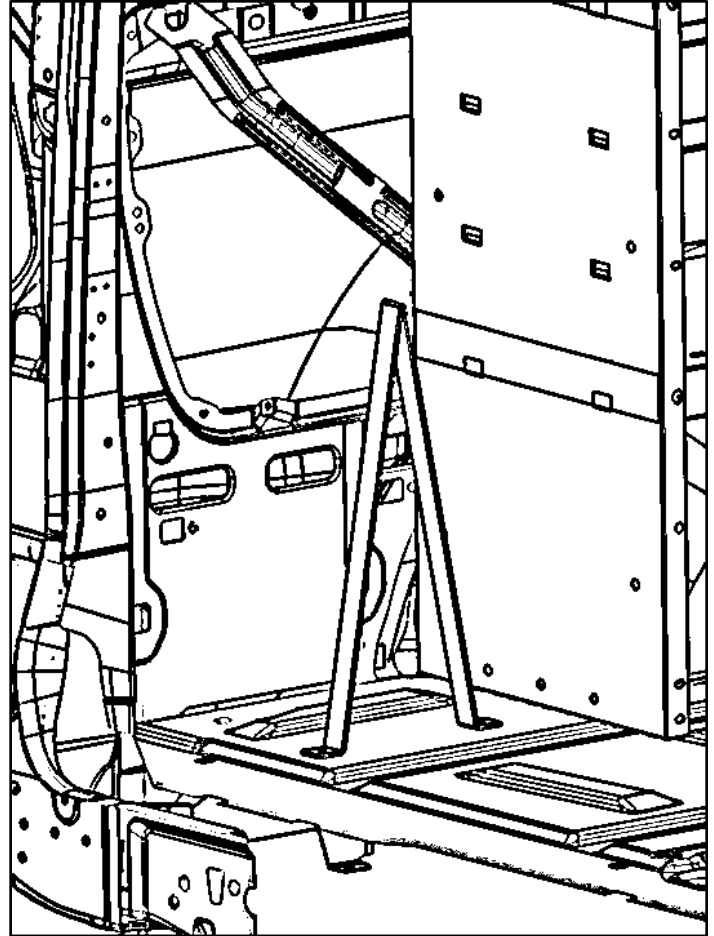
## Hardware

ITEM NO.	TO SCALE	PART NUMBER	DESCRIPTION	QTY.
1		92865A544	1/4"-20 x 1-1/4" Hex Head	2
2		91102A750	1/4" Split Lock Washer	2
3		90126A029	1/4" Flat Washer	2
4		.25-20 Plus Nut	1/4"-20 Plus Nut	2

## Step 1 – Find Location

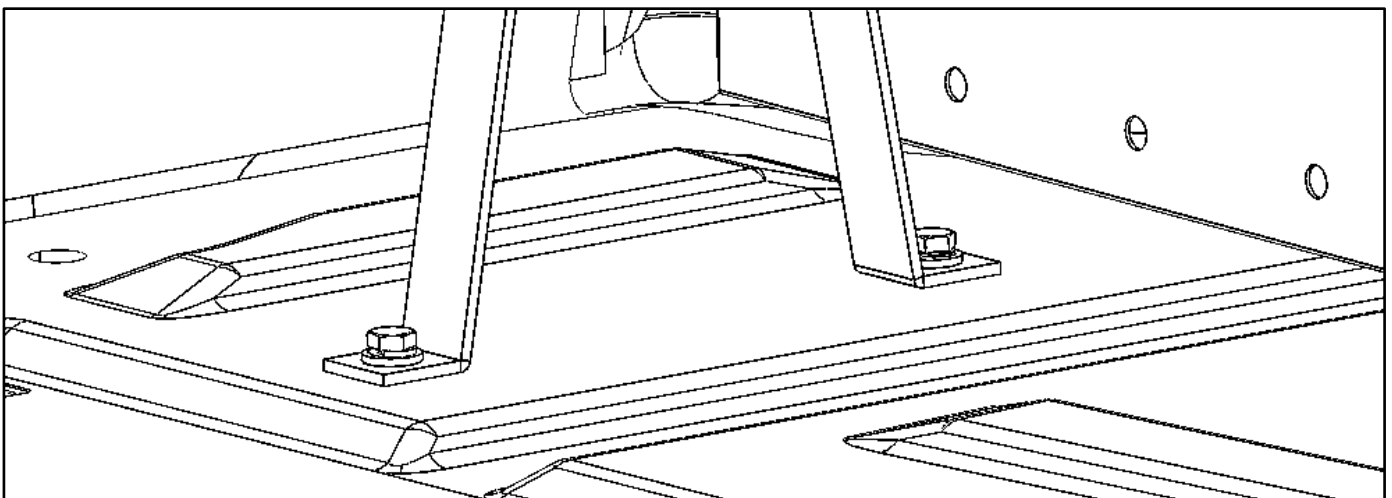
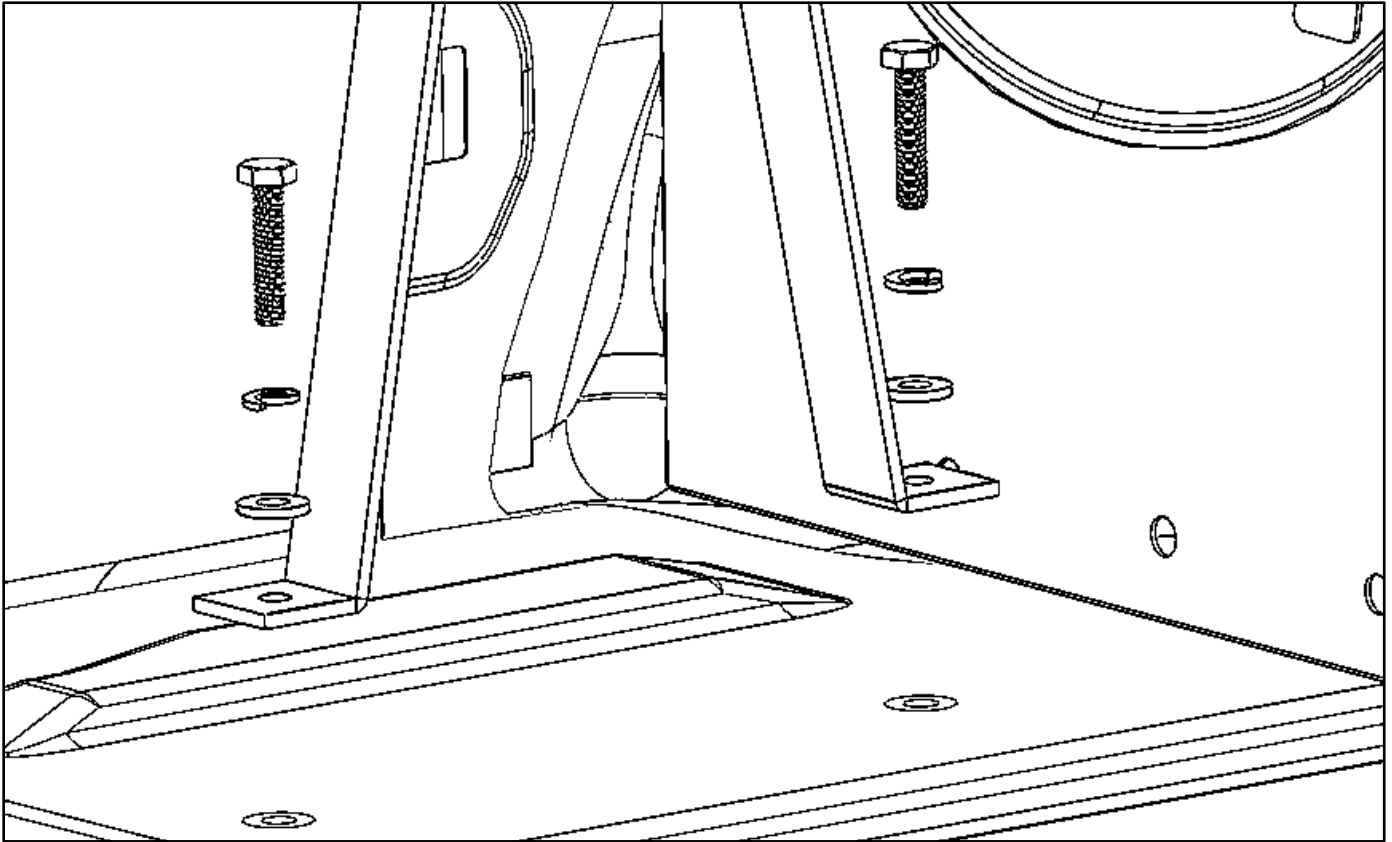
- Find desired location for cone holder to be installed.
- Mark location through the holes in the cone holder and remove.
- Drill marked locations using 25/64" bit.
- **ENSURE SAFETY PRIOR TO DRILLING.**
- Install plus nuts using plus nut tool.

**Note:** Cone holder can be mounted in multiple different locations.



## Step 2 – Attach

- Replace cone holder, bolt cone holder to floor using 1/4" x 1-1/4" hex head, 1/4" split lock washer and a 1/4" flat washer.
- TIGHTEN



**GO BACK AND TIGHTEN ALL HARDWARE.**

**INSTALLATION IS COMPLETE.**