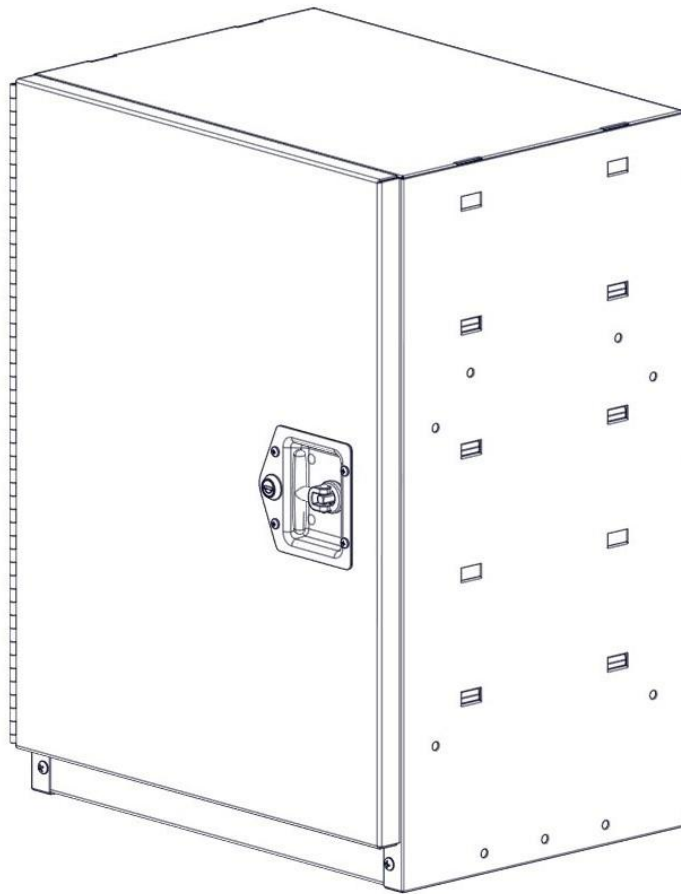


Holman

Instruction Guide 40223



Holman
Rancho Cordova, CA 95742
800-343-7486
InstallationSupport@Holman.com

PLEASE READ ALL INSTRUCTIONS AND WARNINGS PRIOR TO ASSEMBLING, INSTALLING, AND USING THIS PRODUCT.

Warning



Always check for wires, fuel tanks and lines, brake lines and other important vehicle functionality items prior to drilling and installing all products.

Table of Contents

Tools Needed	1
Before You Begin	1
Parts List.....	2
Hardware	3
Step 1 – Install Locker Bottom	3
Step 2 – Install Middle Shelf	3
Step 3 – Install Top Shelf.....	4
Step 4 – Install Right Side Panel	5
Step 5 – Attach Back Panel	5
Step 6 – Install Door	6

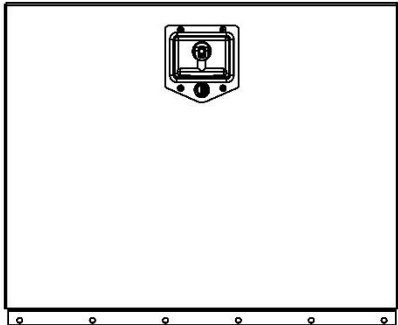
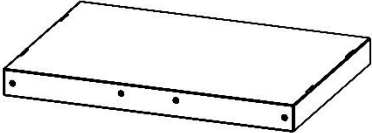
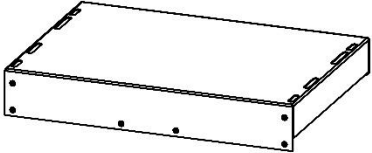
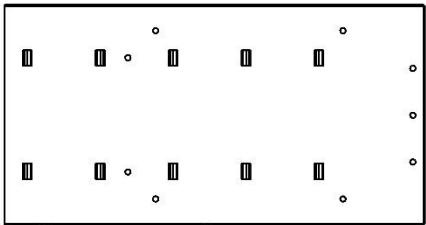
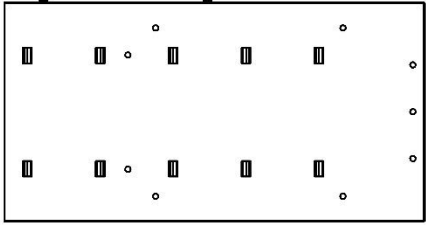
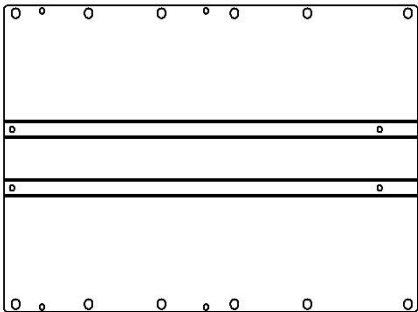
Tools Needed

#2 Phillips Screwdriver	7/16", 9/16" Box Wrench
-------------------------	-------------------------

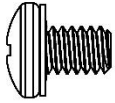
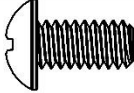

Before You Begin

- Read all instructions prior to assembling or installing any Holman product.
- **Always locate your installation locations prior to performing any work.**
- Door can be installed to left or right. Be sure of orientation prior to assembly.
- **ENSURE SAFETY WHILE INSTALLING OR DRILLING INTO VEHICLE.**
- FOLLOW 4869 SHELF MOUNTING KIT INSTALLATION INSTRUCTIONS FOR INSTALLATION INTO VEHICLE.

Parts List

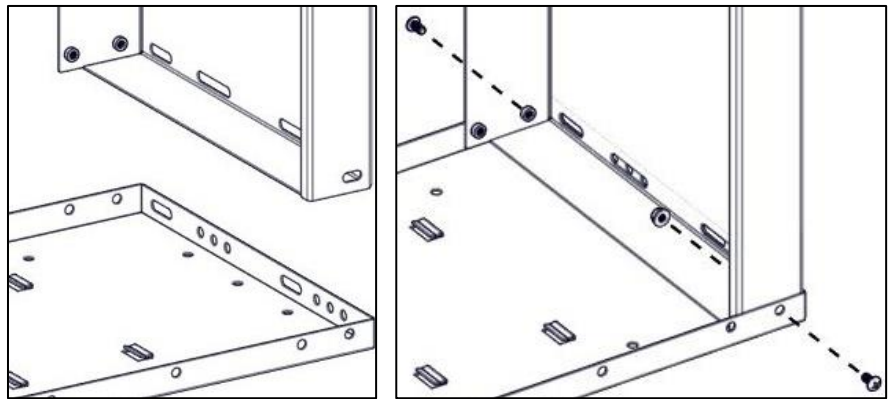
NO.	ITEM	PART NUMBER	DESCRIPTION	QTY.
1		100953	27" LOCKER DOOR ASSY	1
2		101868	20" SHELF ASSEMBLY	2
3		101870	LOCKER BOTTOM ASSEMBLY 20" W	1
4		101559	27" SHELF SIDE RHS	1
5		MIRROR101559	27" SHELF SIDE LHS	1
6		101503	27" LOCKER REAR PANEL	1
7		4869	SHORT SHELF MOUNTING KIT	1
8		18-40223	HARDWARE KIT	1

Hardware

ITEM	HARDWARE TO SCALE	PART NUMBER	DESCRIPTION	QTY.
1		90403A535	1/4"-20 x 3/8" PAN HEAD SCREW, INTERNAL TOOTH WASHER	8
2		29161	1/4"-20 x 1/2" Phillips Machine Screw	16
3		0167030	1/4"-20 FLANGED LOCK NUT	12

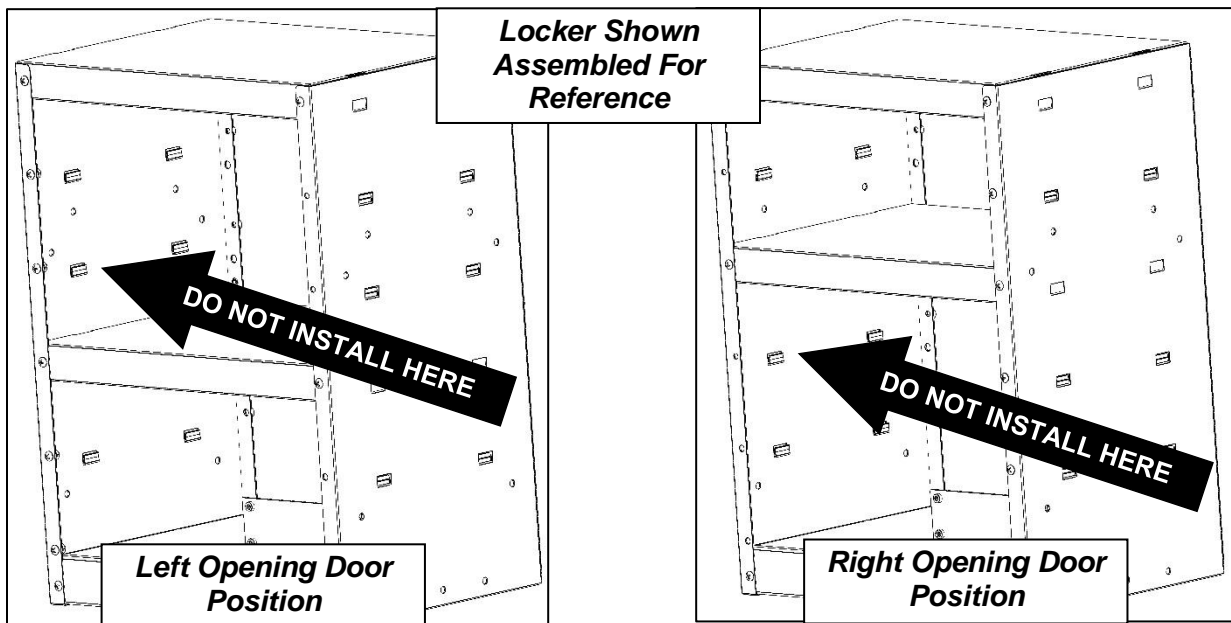
Step 1 – Install Locker Bottom

- Flatten box top and lay out on work area to protect shelf from scratches during installation.
- Lay left side panel flat on workbench and insert locker bottom into side panel.
- Using two 1/4" x 1/2" machine screws and one 1/4" flanged lock nut, install the locker bottom assembly to the side panel.

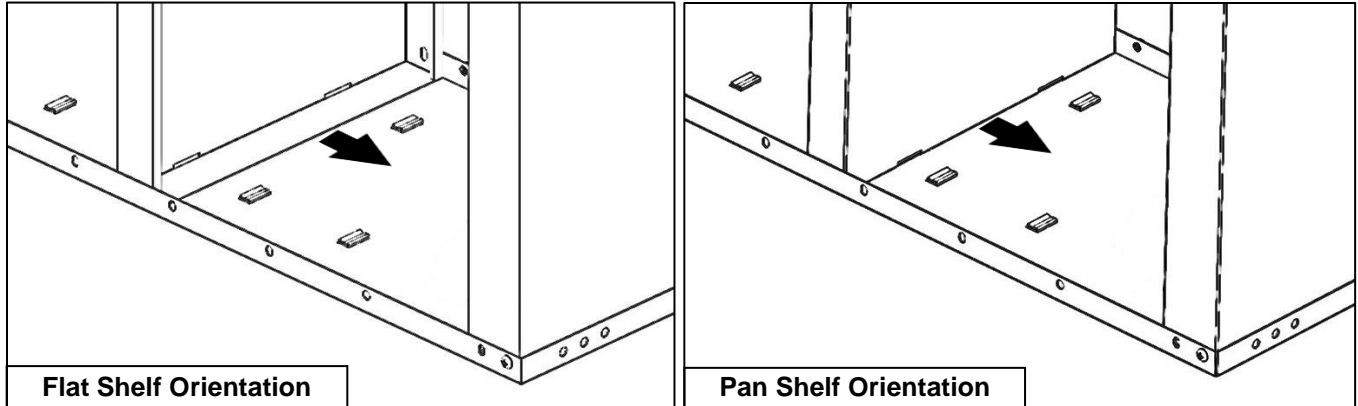


Step 2 – Install Middle Shelf

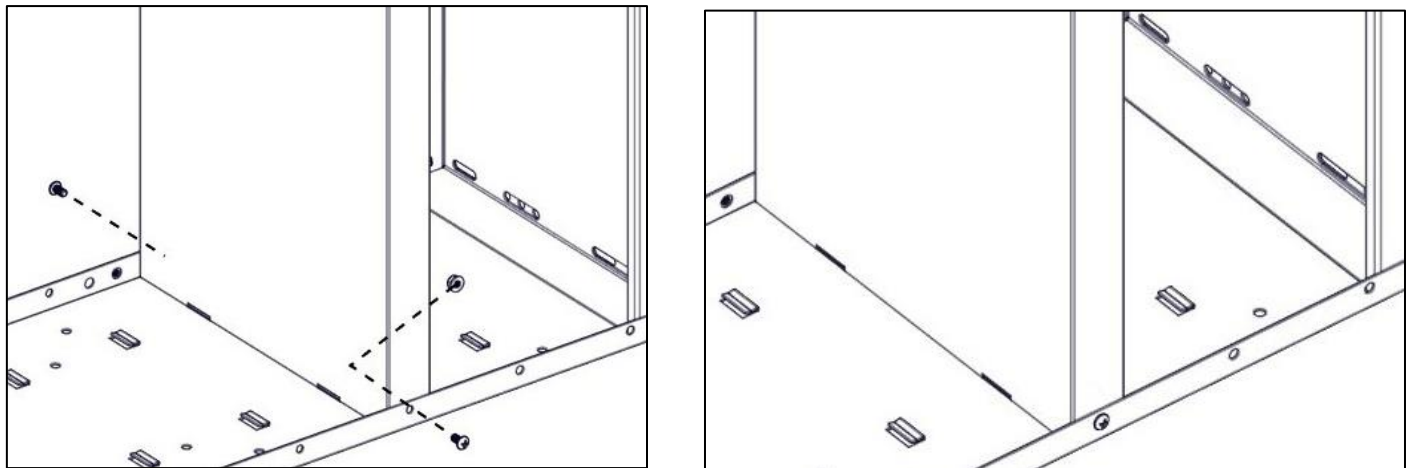
Note: Depending on door orientation some shelf locations cannot be used. (See image below)



- Shelves can be assembled with flanges pointing up to retain shelf contents, or flanges pointing down to allow the installation of accessories. Decide which option you want for each shelf before attaching it to the sides.
- Make sure the shelf is oriented properly (pressed-in nuts in back) before attaching.
- Press the shelf down firmly so that it is resting solidly and level on the lances in the shelf sides.

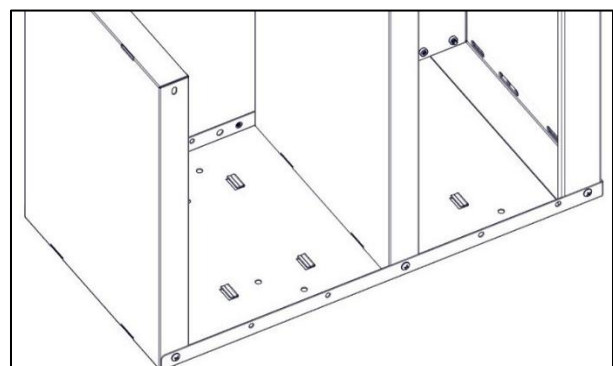


- Slide shelf firmly under and against shelf lances.
- Install one 1/4" x 1/2" machine screw and one 1/4" flanged lock nut through the front of the side panel.
- Install one 1/4" x 1/2" machine screw through the back of the side panel.



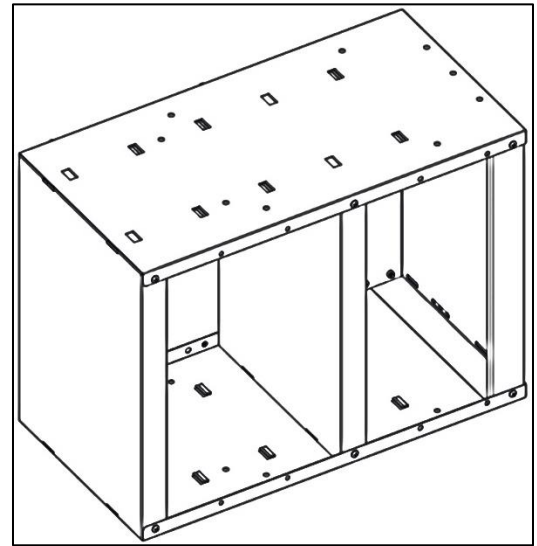
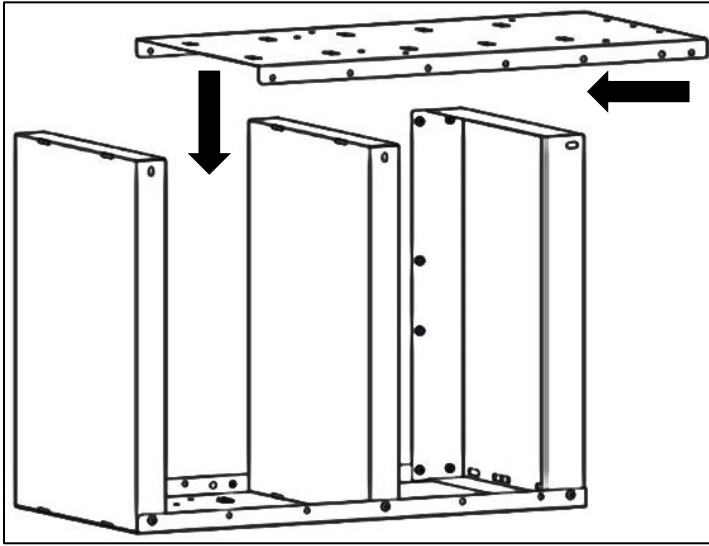
Step 3 – Install Top Shelf

- Following previous steps for installing the middle shelf. Install one shelf in the very top location oriented in the flat shelf orientation.



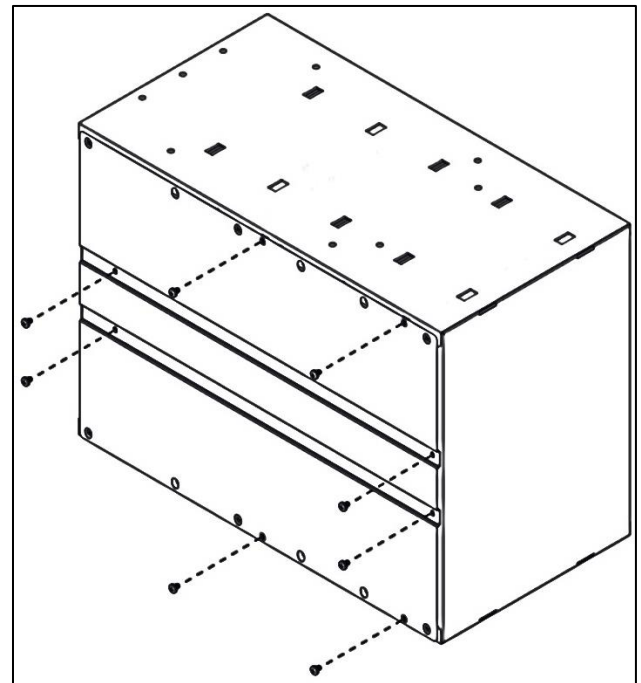
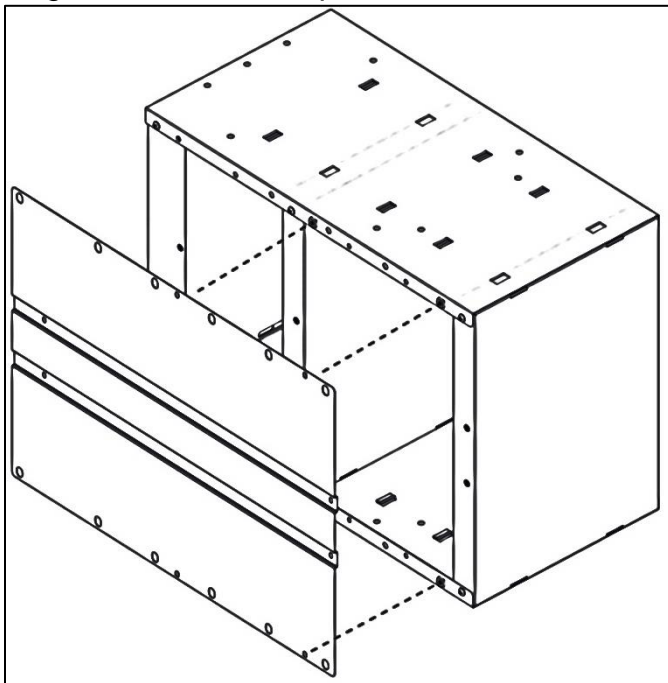
Step 4 – Install Right Side Panel

- Install opposite side panel to locker bottom assembly and shelves per previous directions above.



Step 5 – Attach Back Panel

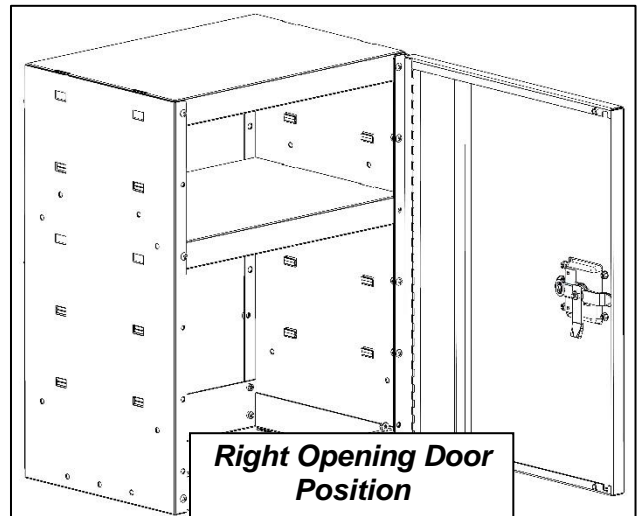
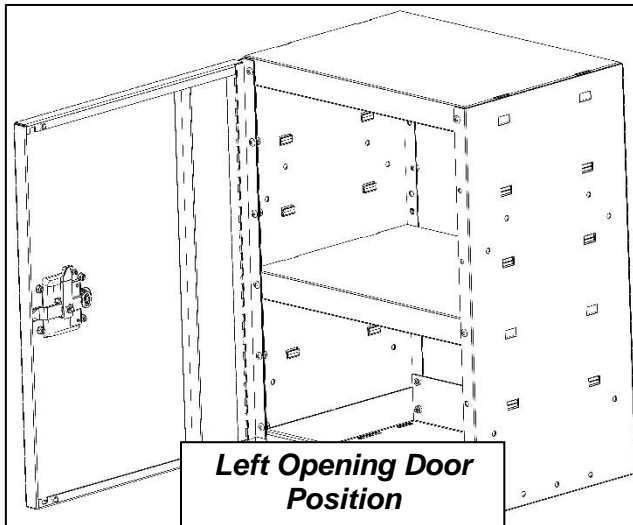
- Making sure the shelves are square to the side panels, install the rear panel using eight 1/4" x 3/8" Phillips SEMS screws.



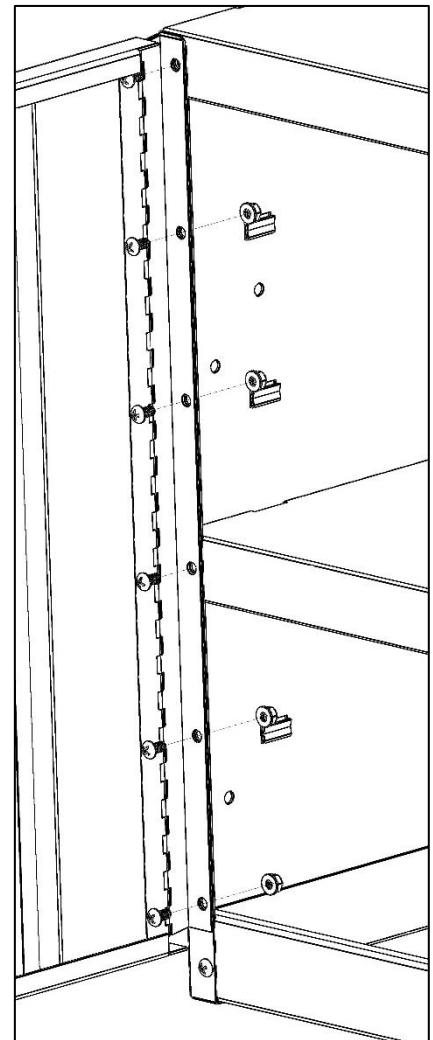
- Stand locker upright before moving to next step.

Step 6 – Install Door

Note: The door can be installed opening left or opening right. Based upon door clearance, determine which side to install door.



- Remove the 1/4" x 1/2" machine screw and 1/4" flanged lock nut from the front of the top and middle shelf on the side the door hinge will be mounted.
- Using six 1/4" x 1/2" machine screws and six 1/4" flanged lock nuts install door to side panel.
- Snug tighten but allow movement.
- Make sure to square door to locker and verify door latches.



**GO BACK AND TIGHTEN ALL
HARDWARE.
ASSEMBLY IS COMPLETE.**