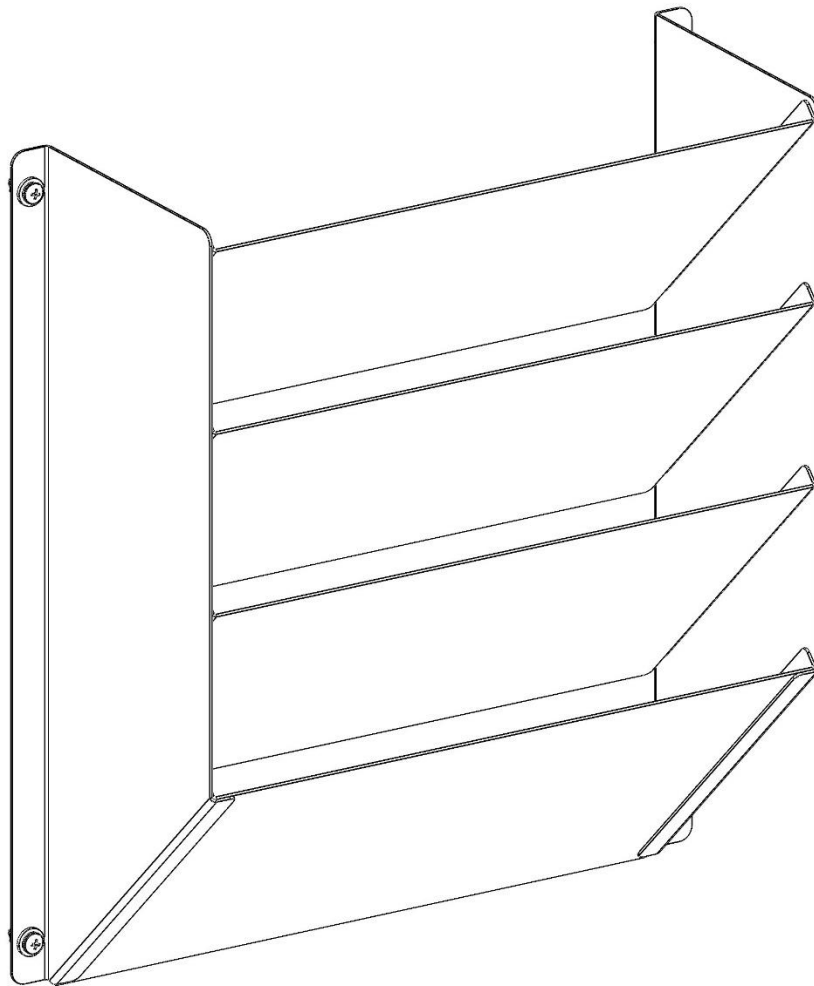


Holman

Installation Guide 40270



Holman
Rancho Cordova, CA 95742
800-343-7486

InstallationSupport@Holman.com

PLEASE READ ALL INSTRUCTIONS AND WARNINGS PRIOR TO ASSEMBLING, INSTALLING, AND USING THIS PRODUCT.

Warning



Always check for wires, fuel tanks and lines, brake lines and other important vehicle functionality items prior to drilling and installing all products.

Tools Needed

#2 Phillips Screwdriver	3/8" Socket and Socket Wrench
1/4" Drill Bit	Drill

Table of Contents

Parts List2

Hardware List2

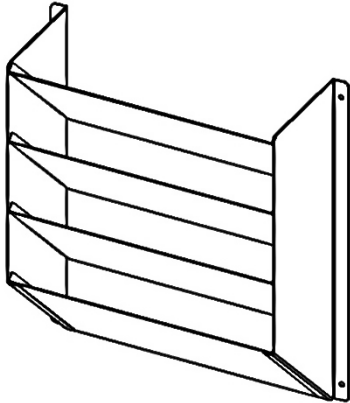
Step 1 - Find Location, Drill Holes3

Step 2 - Install File Holder3

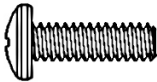

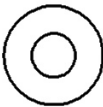
Before You Begin

- Read all instructions prior to assembling or installing any Holman product.
- **Always locate your installation locations prior to performing any work.**
- Have partition or shelf unit ready to install file holder.
- **ENSURE SAFETY BEFORE DRILLING OR CUTTING**

Parts

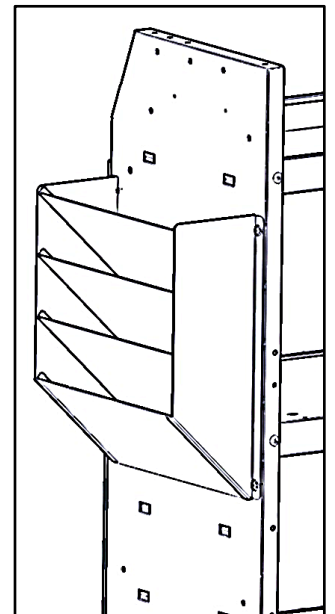
NO.	ITEM	PART NUMBER	DESCRIPTION	QTY.
1		40270-10	Hanging File Holder Sub-Assembly	1
2		18-40270	Hanging File Holder Hardware	1

Hardware

ITEM	HARDWARE TO SCALE	PART NUMBER	DESCRIPTION	QTY.
1		74803	10-24 X 5/8" PHILLIPS HEAD SCREW	4
2		37014	10-24 NYLON INSERT LOCK NUT	4
3		33074	#10 FLAT WASHER	8

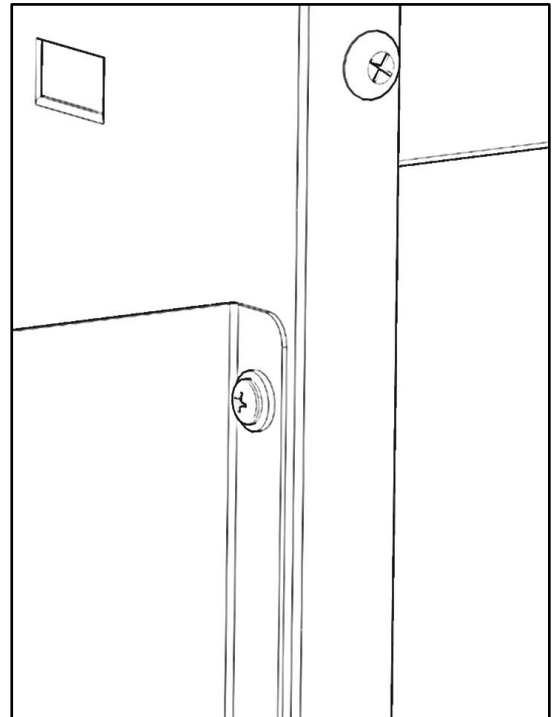
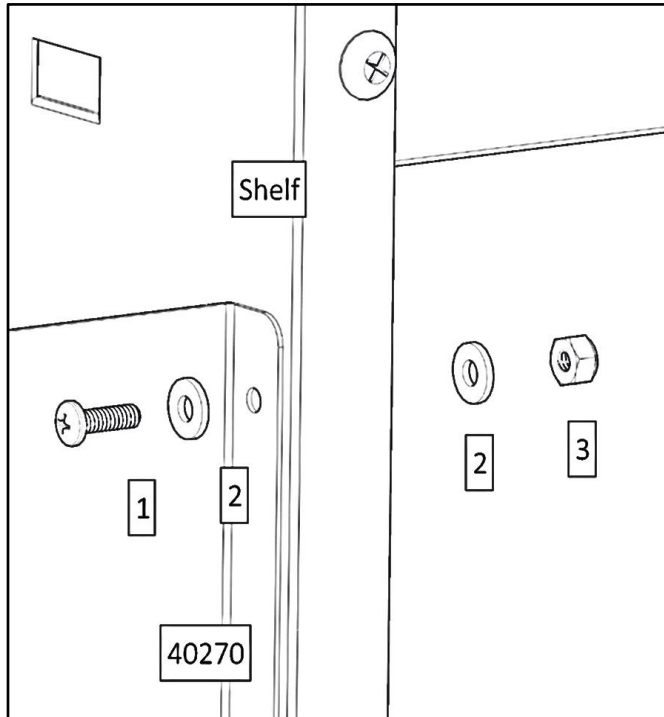
Step 1 – Find Location, Drill Holes

- Position hanging file rack in desired location for mounting. **Be sure the file rack is square and aligned properly.**
- Press firmly against shelf or partition unit.
- Mark hole in each corner.
- Remove hanging file rack.
- Using a 1/4" bit, drill the previously marked holes.



Step 2 – Install File Holder

- Place file holder over previously drilled holes.
- Using a #10 x 5/8 pan head screw, two #10 washers, and a #10 lock nut for each hole, bolt the file holder through the previously drilled holes.
- TIGHTEN.



**GO BACK AND TIGHTEN ALL
HARDWARE.**

INSTALLATION IS COMPLETE.

