

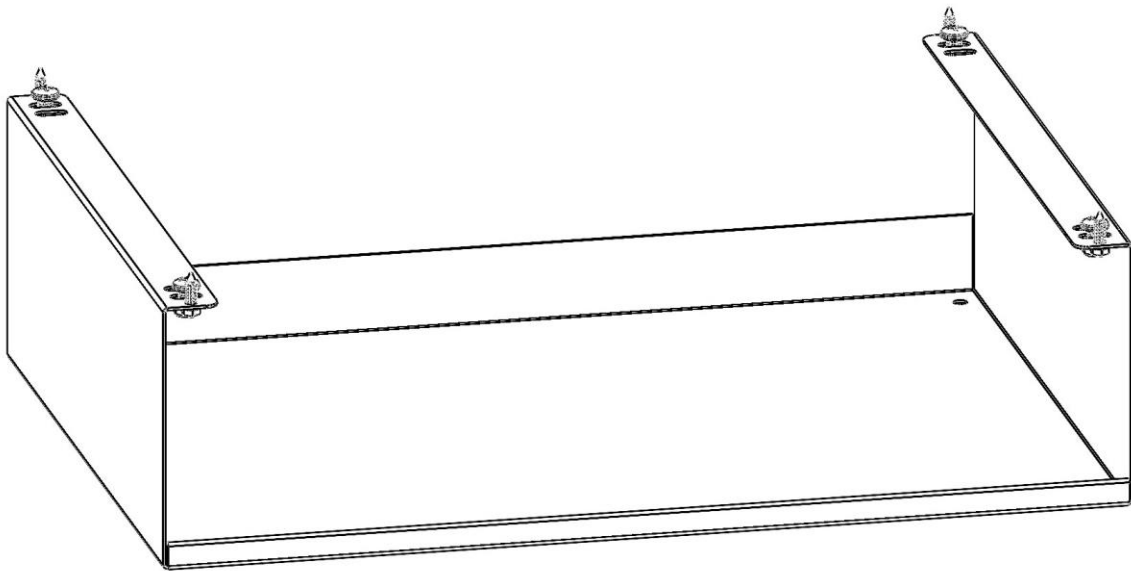
# Holman

---

## Installation Guide

### 40391

---



---

Holman  
Rancho Cordova, CA 95742  
800-343-7486  
[InstallationSupport@holman.com](mailto:InstallationSupport@holman.com)

---

## PLEASE READ ALL INSTRUCTIONS AND WARNINGS PRIOR TO ASSEMBLING, INSTALLING, AND USING THIS PRODUCT.

---

### Warning



Always check for wires, fuel tanks and lines, brake lines and other important vehicle functionality items prior to drilling and installing all products.

---

### Tools Needed

7/16" Socket and Wrench	Phillips Driver
5/16" Drill Bit	Drill
5/16" Driver Bit	

---

### Table of Contents

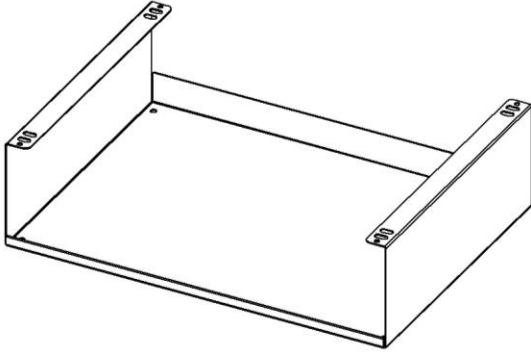
Before You Begin .....	1
Parts .....	2
Hardware .....	2
Step 1A – Install to Steel Shelf .....	3
Step 1B – Install to Aluminum DCU Shelf .....	4
Step 2 – Optional - Install Second Kargo Case .....	5

---

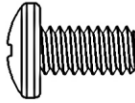

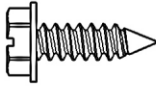
### Before You Begin

- Read all instructions prior to assembling or installing any Holman product.
  - **Always locate your installation locations prior to performing any work.**
  - **Have partition installed or shelf unit assembled prior to installing Kargo Case holder.**
-

## Parts

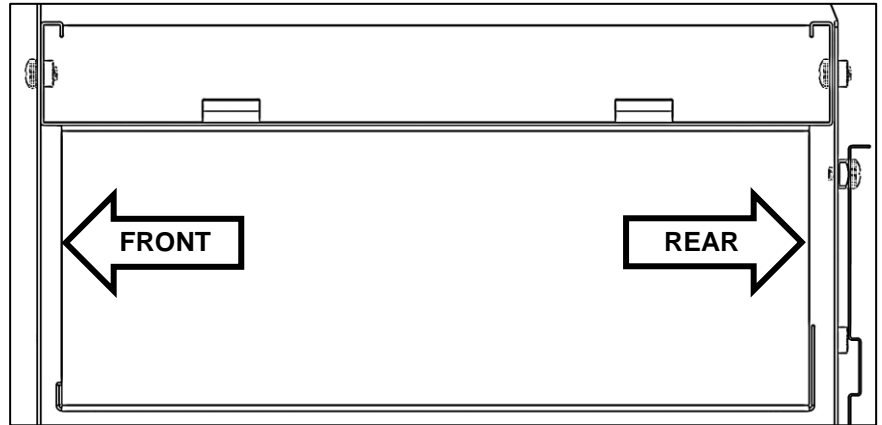
NO.	ITEM	PART NUMBER	DESCRIPTION	QTY.
1		101385	KARGO CASE HOLDER FLOOR	1
2		18-40391	HARDWARE KIT	1

## Hardware

ITEM	HARDWARE TO SCALE	PART NUMBER	DESCRIPTION	QTY.
1		72586	1/4"-20 X 1/2" PHILLIPS PAN HEAD SCREW	4
2		0167030	1/4"-20 FLANGED LOCK NUT	4
3		90054A244	10-12 x 5/8" Sheet Metal Screw	4

## Step 1A – Install to Steel Shelf

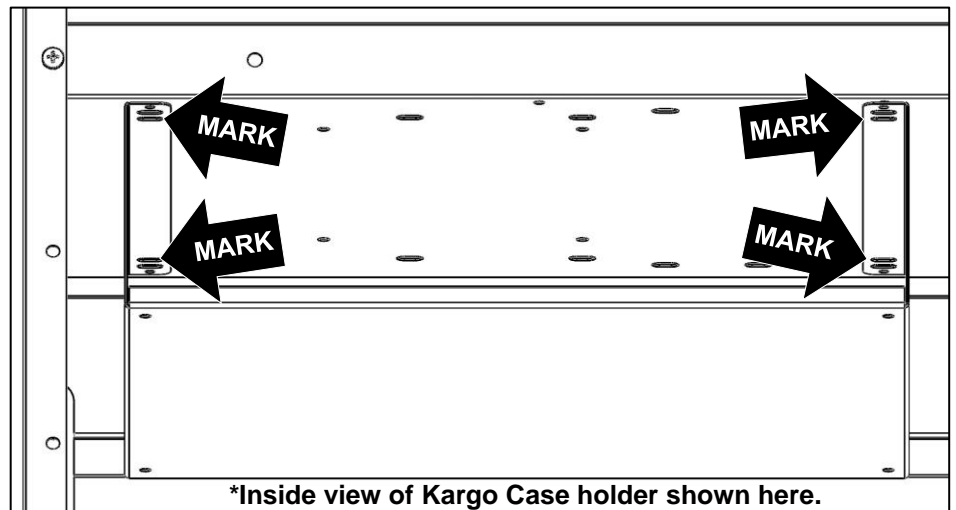
- When installing to a Holman steel shelf, the shelf flanges must be facing upwards, as shown. The small flange on the Kargo Case holder goes towards the front, where the case will be accessed.



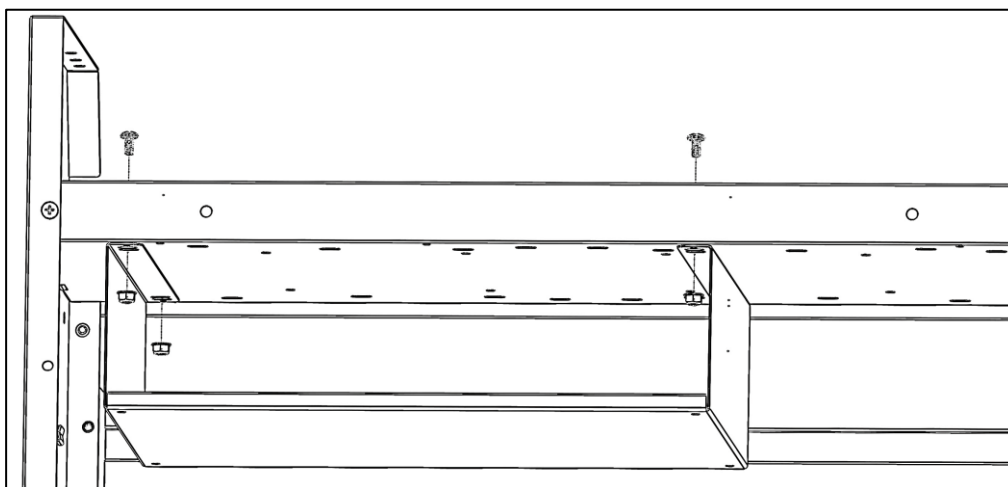
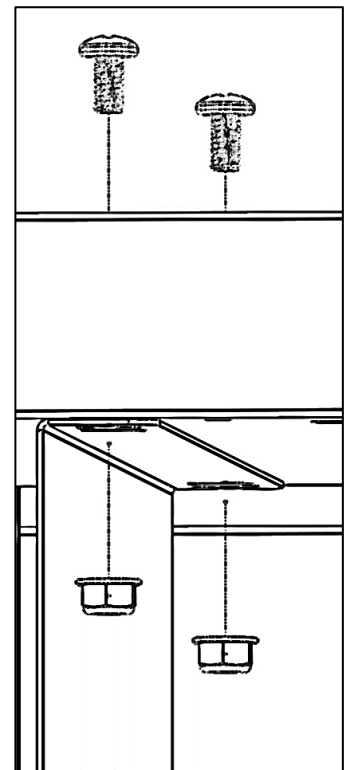
- Place Kargo Case holder in desired position on bottom side of shelf.

**NOTE: Some existing shelf holes will align with Kargo Case holes depending on desired location**

- Mark center of holder inner holes onto shelf.
- Set bracket aside.
- Using a 5/16" drill bit, drill through the shelf where marked.



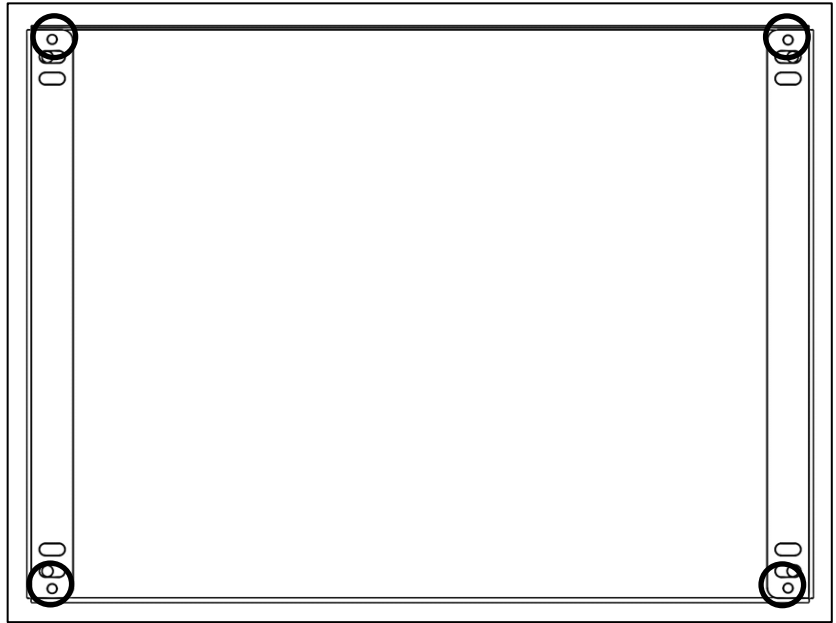
- Using four 1/4 x 1/2" pan head screws, and four 1/4" flanged lock nuts, attach Kargo Case holder to shelf. **Be sure to have screws facing down.**
- Tighten hardware.



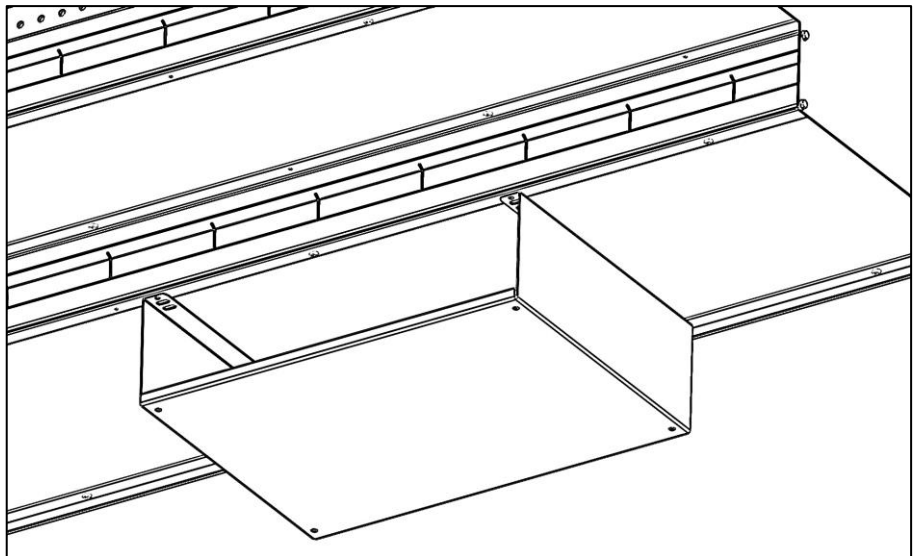
## Step 1B – Install to Aluminum DCU Shelf



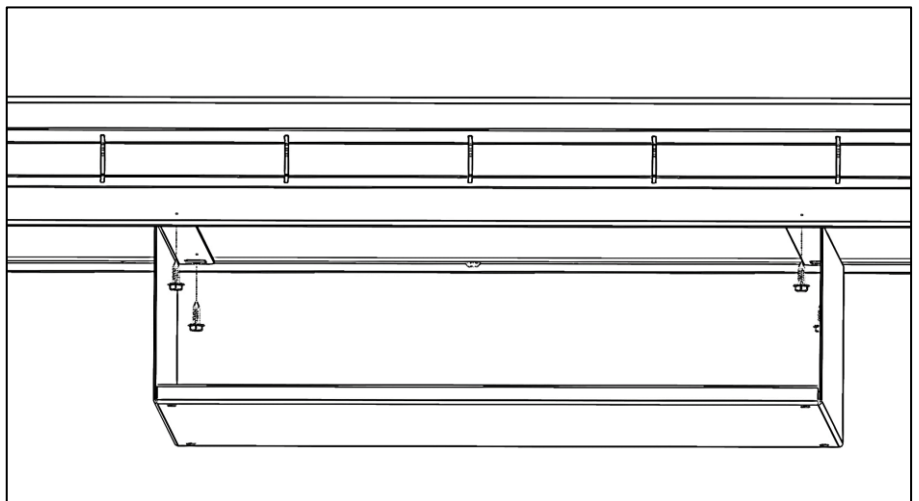
Be sure to install the Kargo Case holder to the aluminum shelf extrusions and **NOT** the shelf fiberboard panels.



- Place Kargo Case holder in desired position on bottom of DCU shelf. The small flange on the Kargo Case holder goes towards the front, where the case will be accessed.



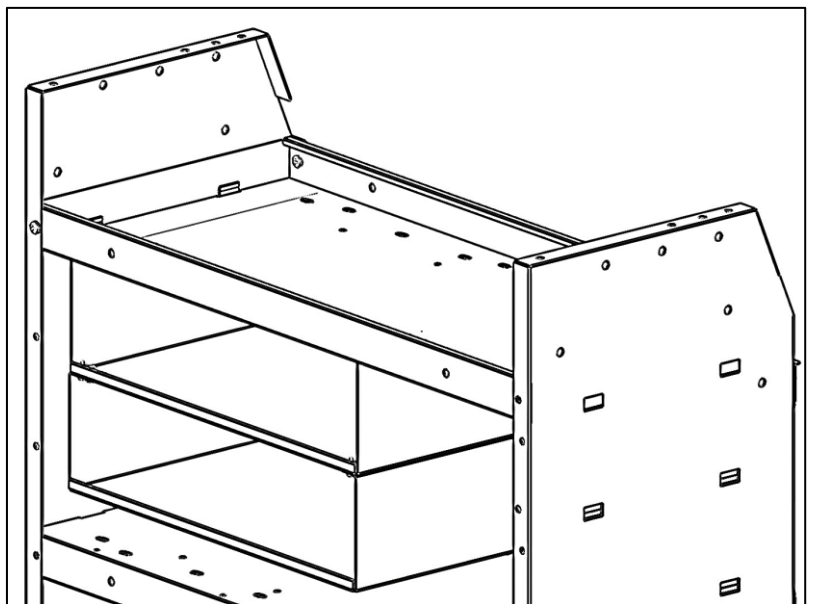
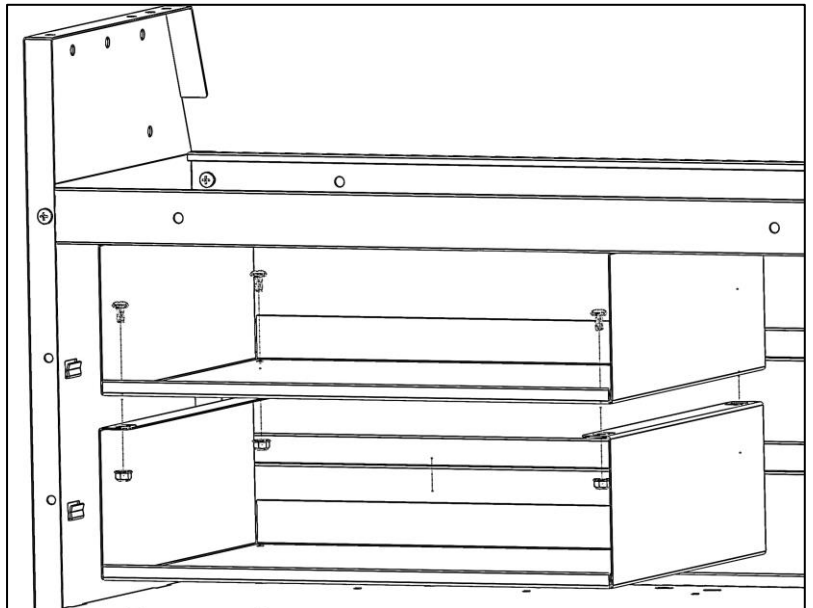
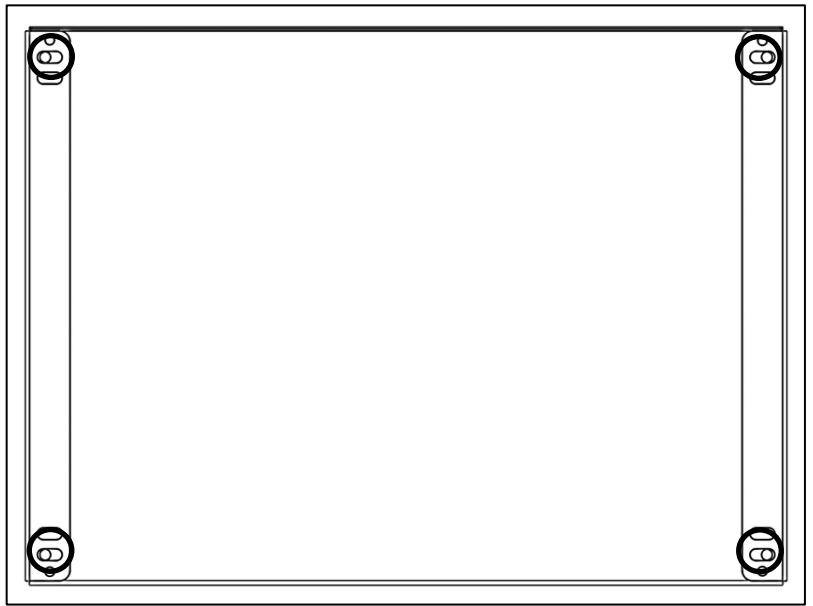
- Holding Kargo Case holder in place, drive a #10 x 5/8" sheet metal screw through each of the four outer holes into the aluminum extrusion.
- Tighten but **DO NOT** overtighten.



**INSTALLATION IS COMPLETE.**

## Step 2 – Optional - Install Second Kargo Case

- Kargo Case brackets can be stacked using the center four holes circled.
- Using four 1/4 x 1/2" pan head screws, and four 1/4" flanged lock nuts, attach Kargo Case holder to shelf. **Be sure to have screws facing down.**
- Tighten hardware.



**INSTALLATION IS COMPLETE.**