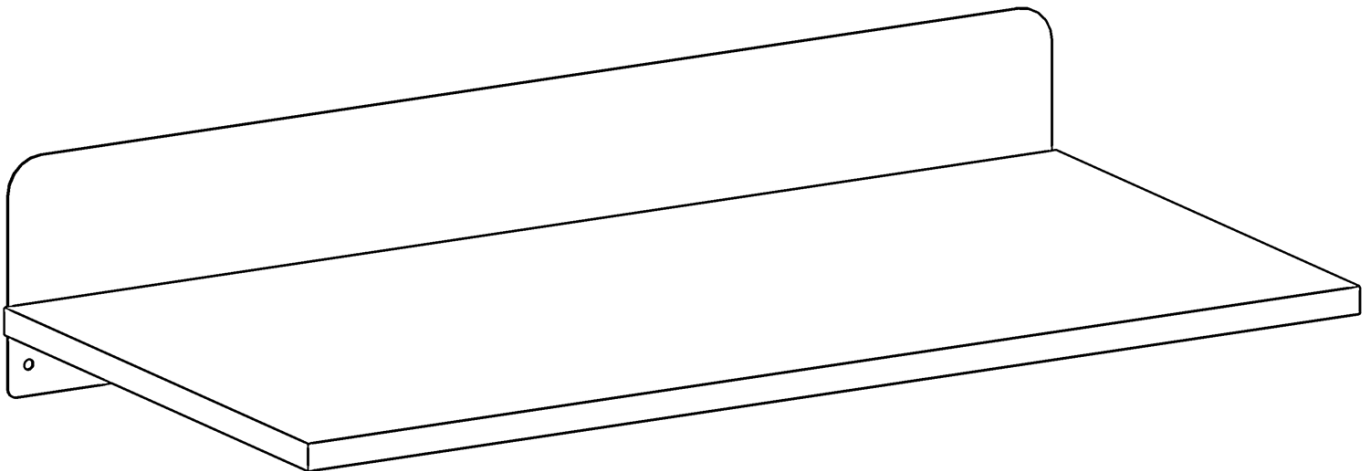


# Holman

---

## Instruction Guide 40532 – 40542 – 40552

---



---

Holman  
Rancho Cordova, CA 95742  
800-343-7486

[InstallationSupport@Holman.com](mailto:InstallationSupport@Holman.com)

---

**PLEASE READ ALL INSTRUCTIONS PRIOR TO ASSEMBLING,  
INSTALLING, AND USING THIS PRODUCT.**

**Tools Needed**

#2 Phillips Driver	7/16" Socket and Wrench
Clamps (Optional)	

**Table of Contents**

Before You Begin ..... 1

Parts ..... 1

Hardware ..... 1

Step 1 – Assemble Shelf ..... 2

Step 2 – Prepare Shelf Unit ..... 2

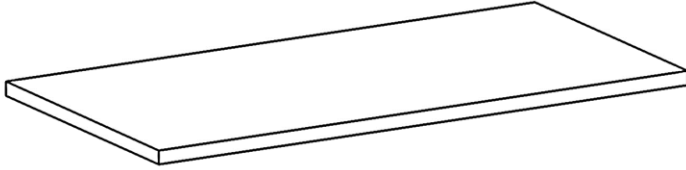
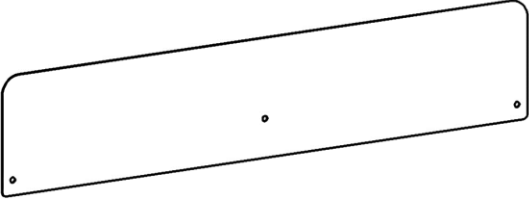
Step 3 – Install Back Splash ..... 2

Step 4 – Install Benchtop ..... 3

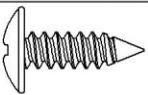

**Before You Begin**

- Read all instructions.
- **Be sure to have a shelf unit built and ready to attach workbench kit to.**

**Parts**

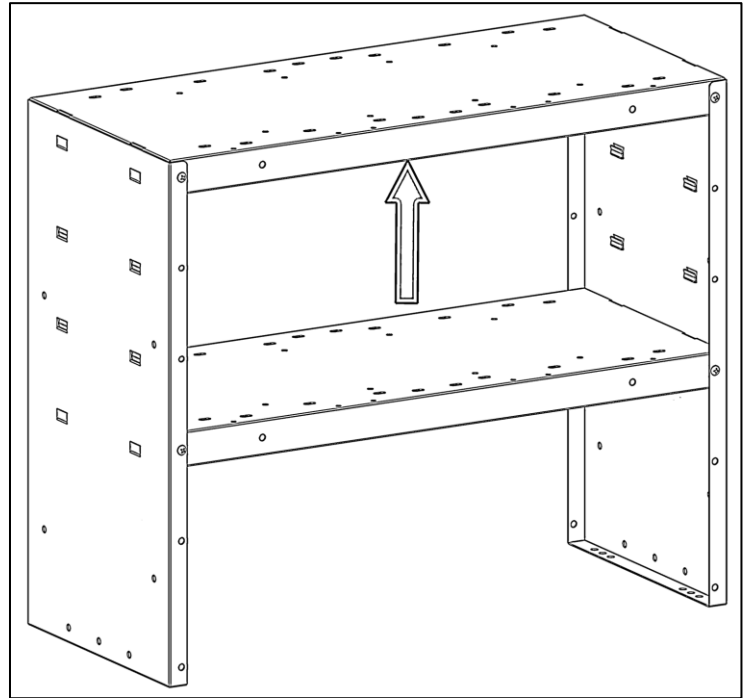
NO.	ITEM	PART NUMBER	DESCRIPTION	QTY.
1		40532: 100571 OR 40542: 100572 OR 40552: 100573	32", 42", OR 52" WORKBENCH TOP	1
2		40532: 48320-00-001 OR 40542: 48420-00-001 OR 40552: 48520-00-001	32", 42", OR 52" WORKBENCH BACKSPLASH	1
3		18-40552	HARDWARE KIT	1

**Hardware**

ITEM	HARDWARE TO SCALE	PART NUMBER	DESCRIPTION	QTY.
1	 	93406A244	#10 x 5/8" Truss Head Sheet Metal Screw	5

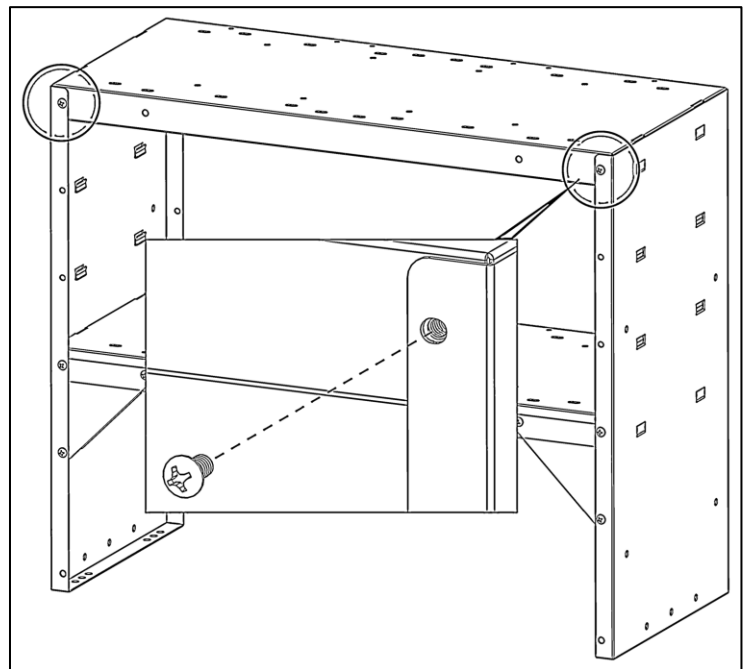
## Step 1 – Assemble Shelf

- If you have not already assembled the corresponding shelf, assemble the shelf before proceeding. **Be sure the top shelf is on the highest notch and oriented with shelf lip down as shown.**



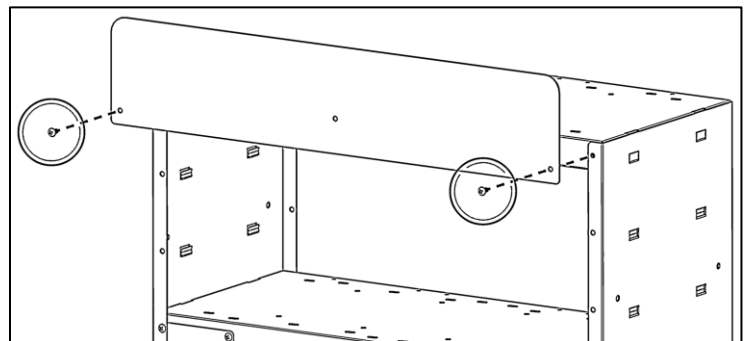
## Step 2 – Prepare Shelf Unit

- Access rear of shelf unit. Rear of shelf unit should have gussets installed on the bottom shelf.
- Remove upper screws and nuts attaching top shelf to side panels as shown.



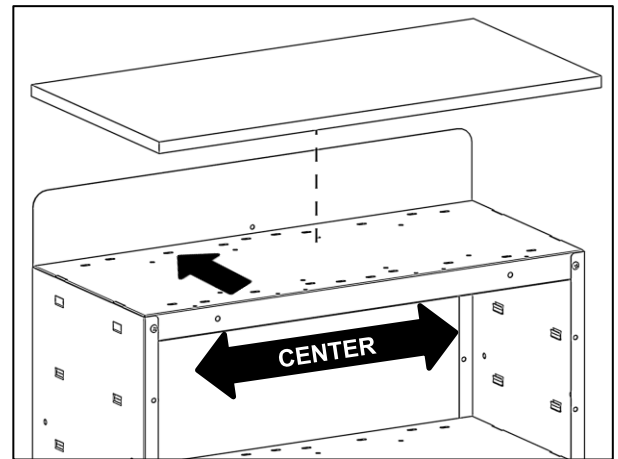
## Step 3 – Install Back Splash

- Place back splash over previously removed screws.
- Re-install screws at each side of shelf, leaving the middle hole in back splash vacant.
- Snug tighten, but allow for movement.

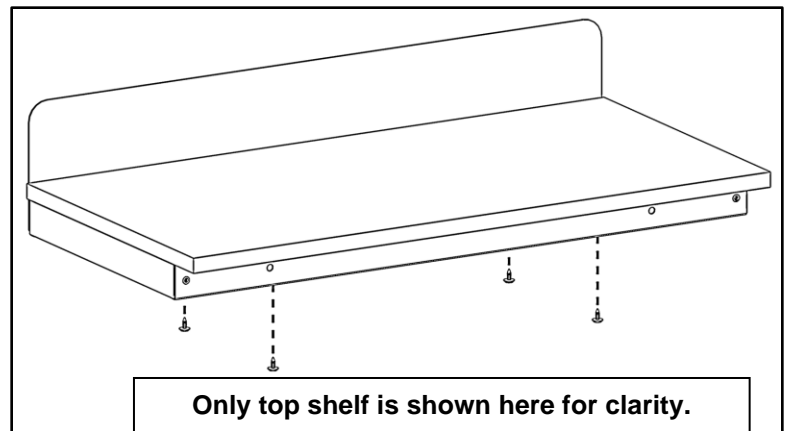


### Step 4 – Install Benchtop

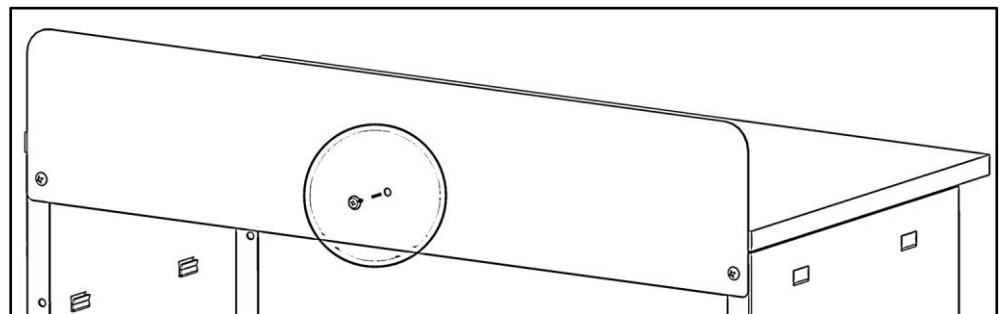
- Place benchtop on top of shelf as shown.
- Align benchtop tightly against backsplash and centered side-to-side with shelf.
- **It may be helpful to clamp the benchtop to the top shelf.**
- From beneath top shelf, locate four mounting holes appropriate for screwing benchtop to base.



- Screw through these holes into bottom side of benchtop using four of the #10 screws provided.



- Screw benchtop to back splash using a #10 screw.
- Tighten all screws.
- Install shelf with benchtop per shelf installation instructions and corresponding mounting kit instructions.



**GO BACK AND TIGHTEN ALL  
HARDWARE.**

**INSTALLATION IS COMPLETE.**

