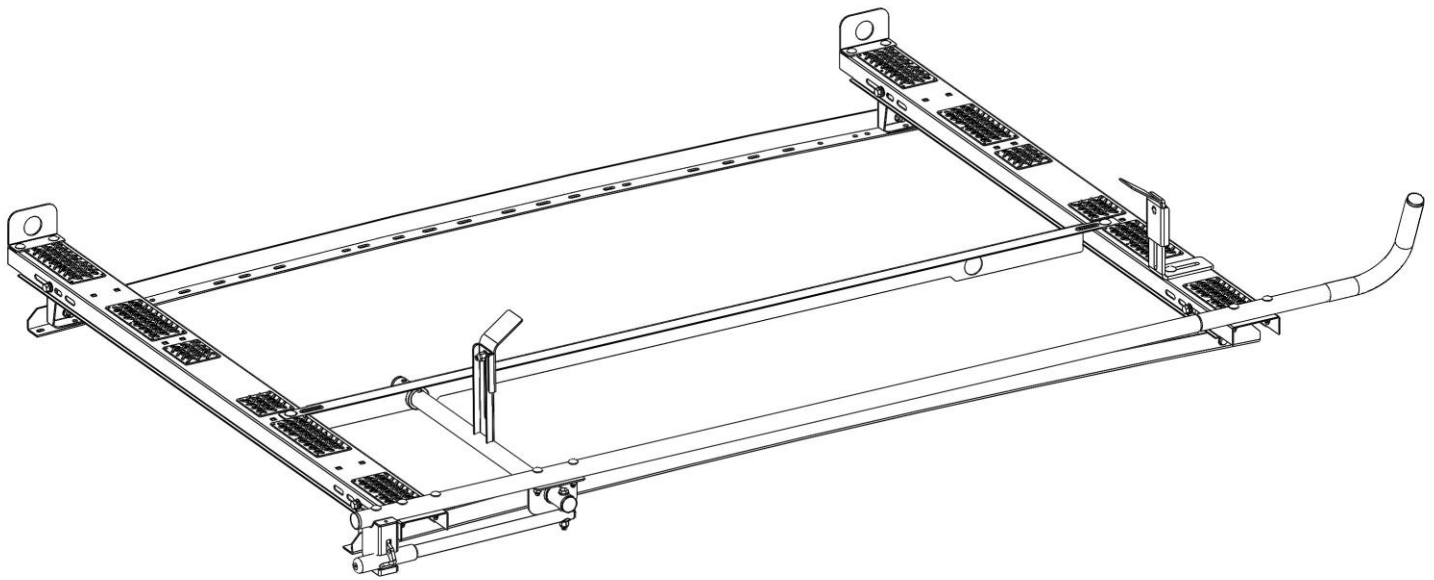


# Holman

---

## Instruction Guide 4080L

---



---

Holman  
Rancho Cordova, CA 95742  
800-343-7486  
InstallationSupport@Holman.com

---

## PLEASE READ ALL INSTRUCTIONS AND WARNINGS PRIOR TO ASSEMBLING, INSTALLING, AND USING THIS PRODUCT.

### Warning



Always check for wires, fuel tanks and lines, brake lines and other important vehicle functionality items prior to drilling and installing all products.

### Tools Needed

13mm Socket and Wrench	10mm Socket and Wrench
5mm Allen Hex	9/16" Socket and Wrench
7/16" Socket and Wrench	1/2" Socket and Wrench


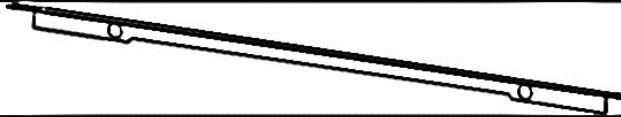



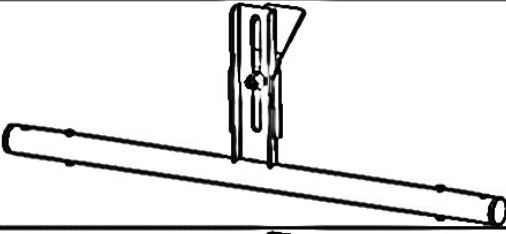


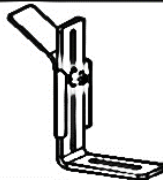
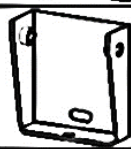

### Table of Contents

Parts List .....	2
Assembly Hardware .....	3
Install Hardware .....	4-5
Roof Rail Mounting	
Promaster City .....	6
NV200/City Express .....	7
Transit Connect .....	8
Rack Assembly	
Step 1 – Mount Feet to Rails .....	9
Step 2 – Install Feet to Bows .....	10
Step 3 – Attach End Stops .....	12
Step 4 – Mount Side Tube .....	11
Step 5 – Mount Angle Bracket .....	12
Step 6 – Mount Handle .....	14
Step 7 – Mount Latch .....	14
Step 8 – Mount Ladder Stop .....	15

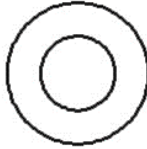


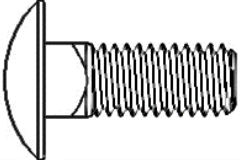
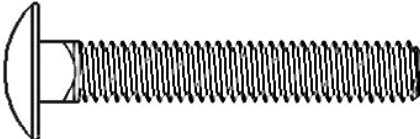
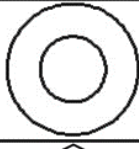

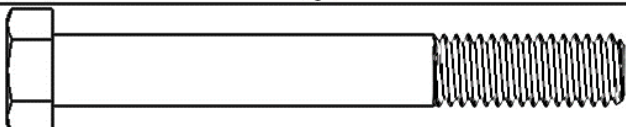

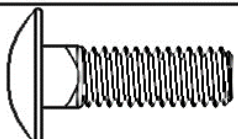
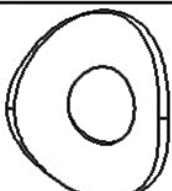
### Before You Begin

- Read all instructions prior to assembling or installing any Holman product.
- Install the vehicle roof mounting rail prior to rack assembly.
- Be sure to put sealant around all threads entering cargo area and between the rubber spacer and roof of vehicle to prevent water from leaking into cargo area.
- **DO NOT EXCEED MANUFACTURERS WEIGHT CAPACITY FOR ROOF**
- **BE SURE TO ADJUST LADDER CLAMPS ACCORDINGLY TO SECURE LADDER FIRMLY TO RACK. To adjust, refer to Clamp and Lock adjustment guide.**

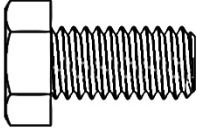
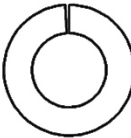
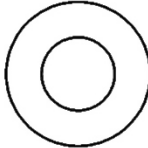
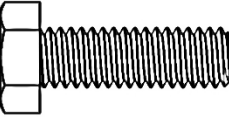

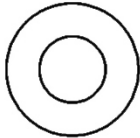
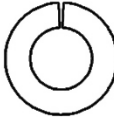
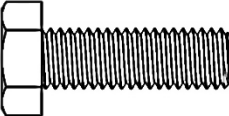
## Parts

ITEM NO.		PART NO.	DESCRIPTION	QTY.
A		40862-11	Bow	2
B		11-03005	Angle Bracket	1
C		40800-51	Round Tube	1
D		40800-52-R	J-Tube	1
E		11-03027	End Plate	3
F		13-03007	Clamp Tube	1
G		40813-44	Latch	1
H		13-03008	Handle	1
J		13-03009	Ladder Stop	1
K		40800-17	Foot	4
L		11-03098	Mount Rail	2
		18-4080L	Install Hardware	1
		18-40800	Assembly Hardware	1

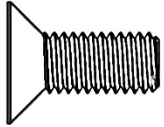
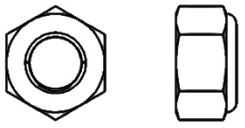
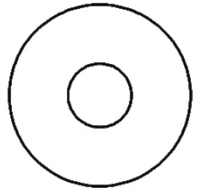
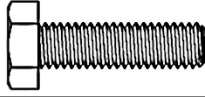

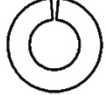
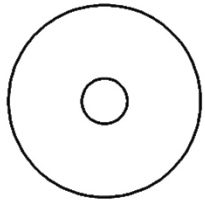
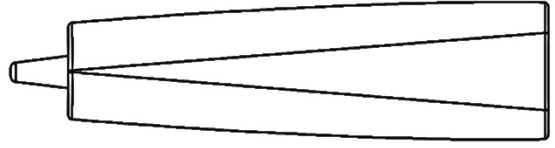
## Hardware (18-40800)

ITEM NO.	HARDWARE TO SCALE	PART NUMBER	DESCRIPTION	QTY.
1		90295A470	3/8" Nylon Washer	1
2		97135A230	3/8"-16 Nyloc Nut	5
3		98023A031	3/8" Flat Washer	5
4		90185A624	3/8"-16 x 1" Carriage Bolt	4
5		90185A591	5/16"-18 x 2" Carriage Bolt	7
6		90126A030	5/16" Flat Washer	11
7		95615A160	5/16"-18 Nyloc	11
8		91247A636	3/8"-16 x 3" Hex Head	1
9		40800-10-007	Nylon Bushing Scale 1:2	2
10		90185A583	5/16"-18 x 1" Carriage Bolt	4
11		91844A370	3/8" Contour Washer	1

## Hardware (18-4080L)

ITEM	HARDWARE TO SCALE	PART NUMBER	DESCRIPTION	QTY.
1			3/8"-16 x .75 Hex Head Screw	8
2			3/8" Split Lock Washer	8
3			3/8" Flat Washer	8
4			5/16"-18 x 1 Hex Head Screw	4
5			5/16"-18 Nyloc	4
6		11545144	5/16" FLAT WASHER	12
7		1171067	5/16" LOCKING WASHER	4
8			M8x1.25 x 25mm Hex Head Screw	4

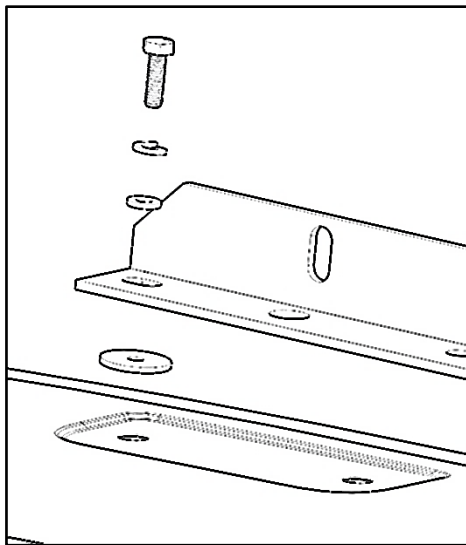
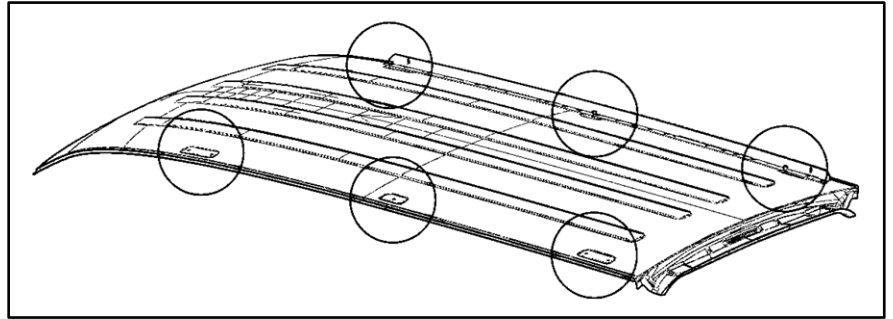
## Hardware (18-4080L) (Continued)

ITEM	HARDWARE TO SCALE	PART NUMBER	DESCRIPTION	QTY.
9			M8x1.25 x 20mm FHCS	4
10			M8x1.25 Nyloc	4
11			M8 Fender Washer	4
12		38560	M6 X 1.0 X 22MM HEX HEAD BOLT	6
13		33078	1/4" WASHER	6
14		33618	1/4" LOCK WASHER	6
15			RUBBER WASHER	6
16			Sealant	1

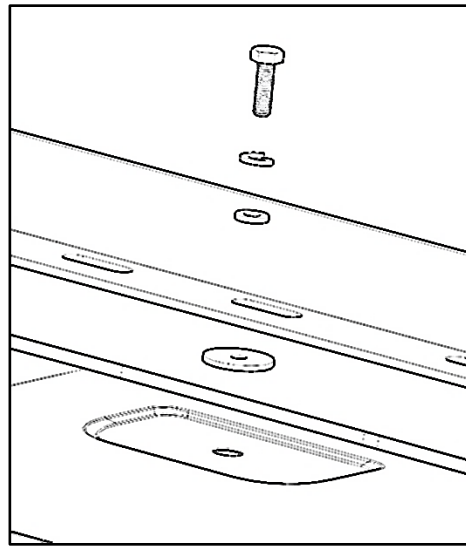
## **DO NOT EXCEED MANUFACTURERS WEIGHT CAPACITY FOR ROOF**

### **Promaster City Installation**

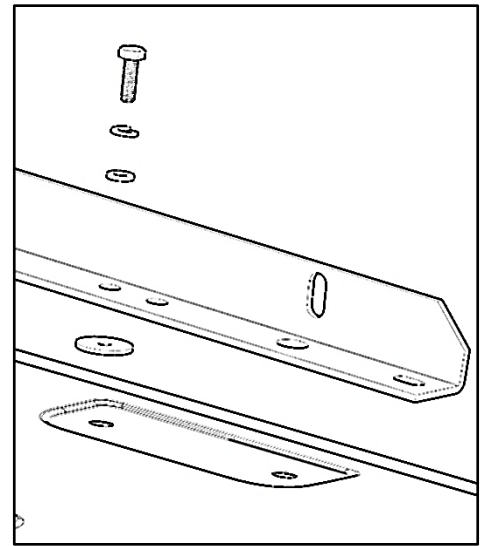
- Locate 6 mounting locations shown on roof of van.
- Install mounting rail as shown using M6 x 22mm bolts, 1/4" lock washers, and 1/4" flat washers.
- In most installs, the rail upright is to the outside of the van.
- Be sure to put rubber washer between the mounting rail and the roof to ensure sealing.
- Place sealant on and around threads to seal roof. (Passenger side shown here.)



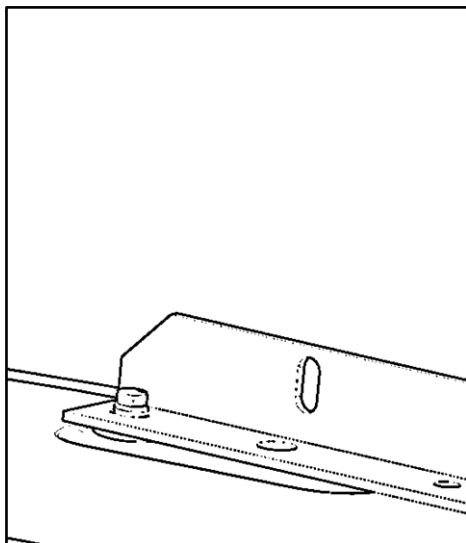
**FRONT EXPLODED**



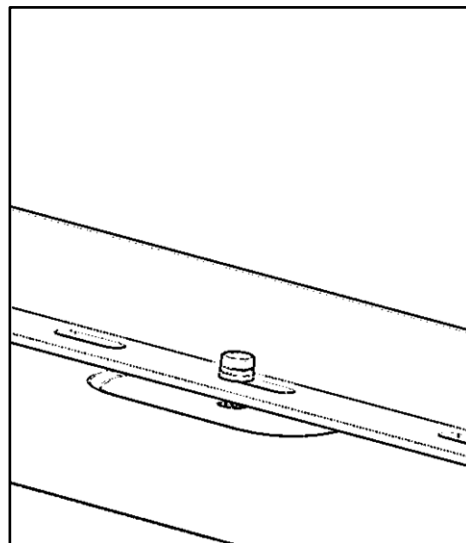
**MID EXPLODED**



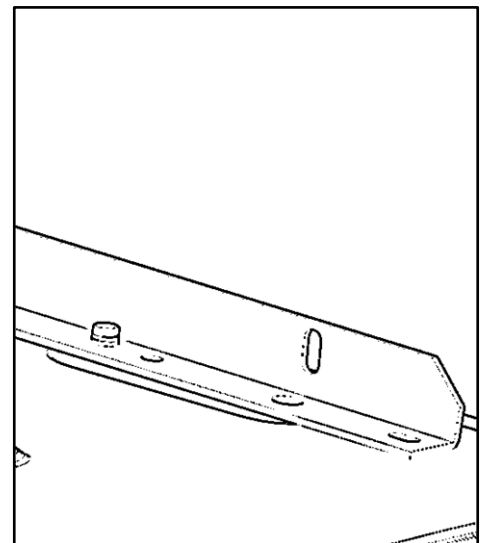
**REAR EXPLODED**



**FRONT TIGHTENED**



**MID TIGHTENED**

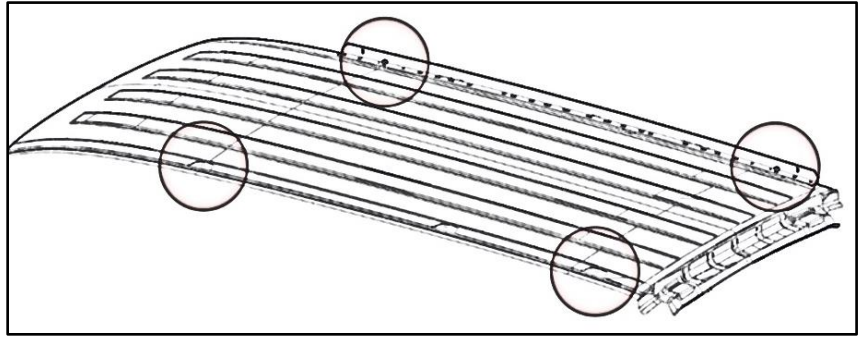


**REAR TIGHTENED**

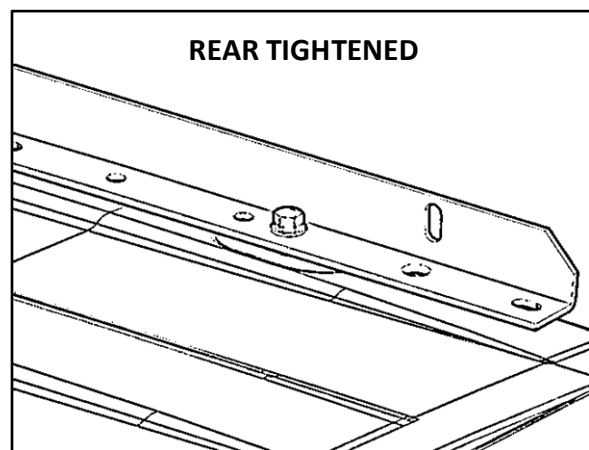
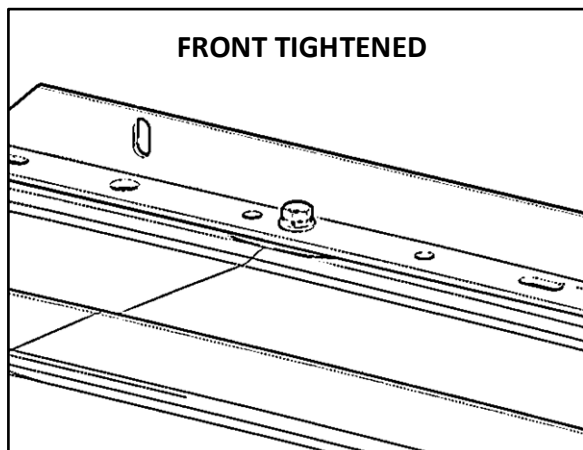
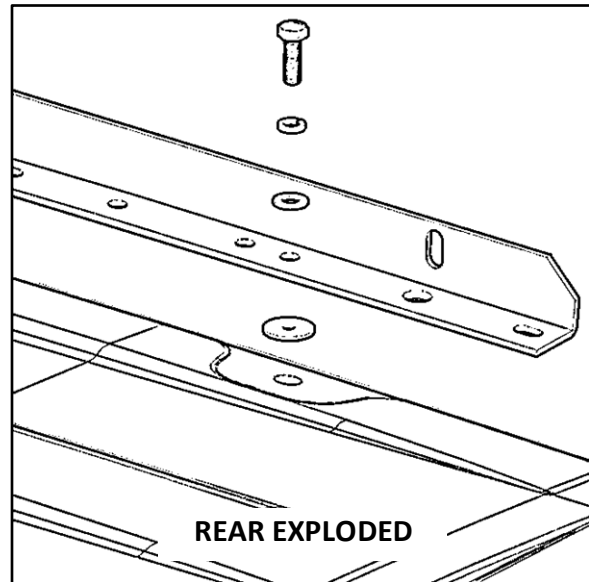
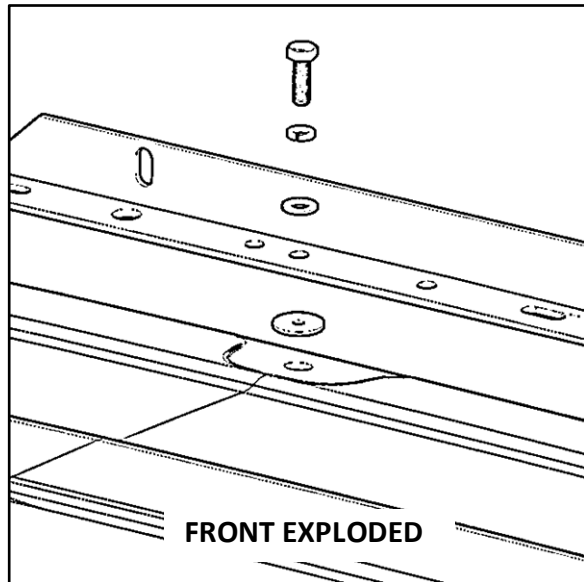
## **DO NOT EXCEED MANUFACTURERS WEIGHT CAPACITY FOR ROOF.**

### **NV200/City Express Installation**

- Locate 4 mounting locations shown on roof of van.
- Install mounting rail as shown using M8 x 25mm bolts, 5/16" lock washers and 5/16" flat washers.
- In most installs, the rail upright is to the outside of the van.
- Mount rail so there is about 1" from the rear door opening.
- Be sure to put rubber washer between mounting rail and the roof to ensure sealing.
- Place sealant on and around threads to seal roof. (Passenger side shown here.)



**Note: Additional M8 x 22mm flat head screws are provided if mounting of feet interferes with bolts.**

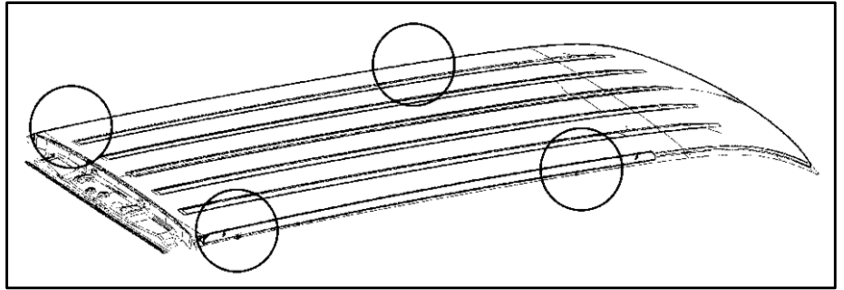




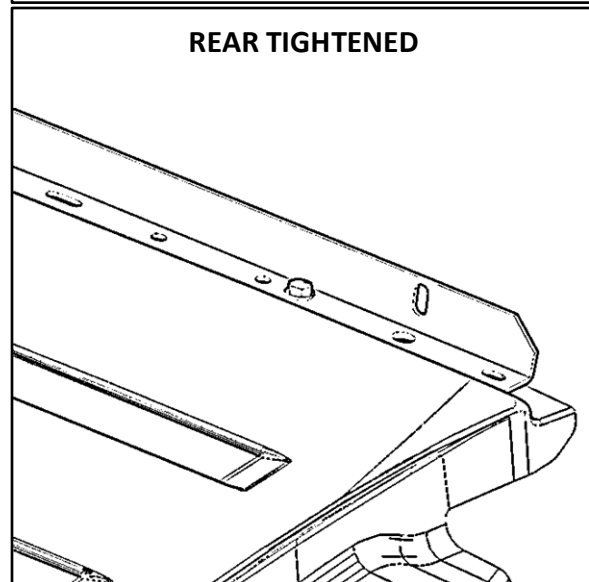
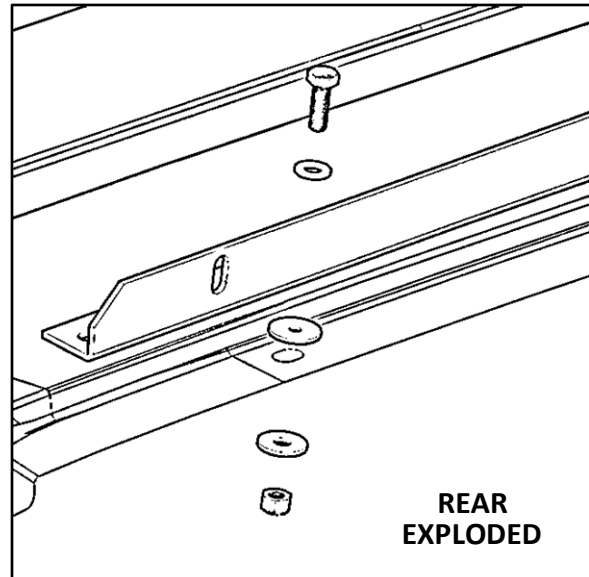
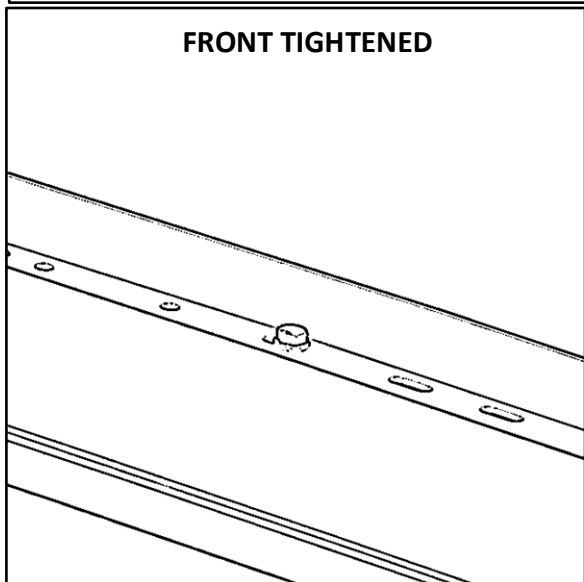
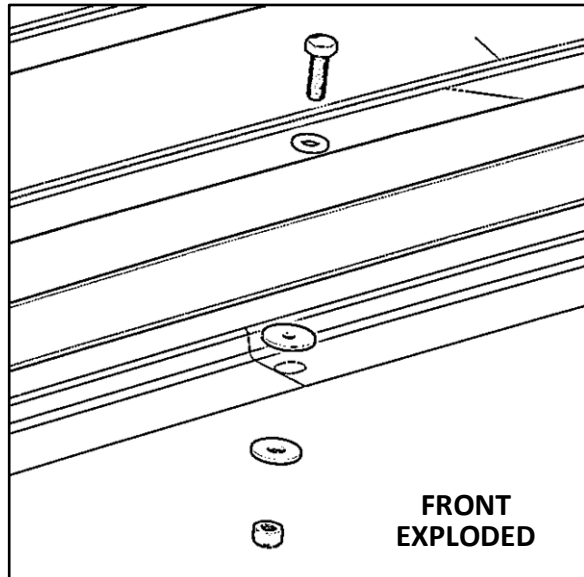
## **DO NOT EXCEED MANUFACTURERS WEIGHT CAPACITY FOR ROOF**

### **Transit Connect Installation**

- Locate 4 mounting locations shown on roof of van.
- Be sure to put rubber washer between the mounting rail and the roof to ensure sealing.
- In most installs, the rail upright is to the outside of the van.
- Mount rail so there is about 1" from the rear door opening.
- Install mounting rail as shown using M8 x 25mm bolts, 5/16" flat washers on the outside. Use the fender washer and 5/16" lock nut on the inside of the van.
- Place sealant on and around threads to seal roof. (Passenger side shown here.)



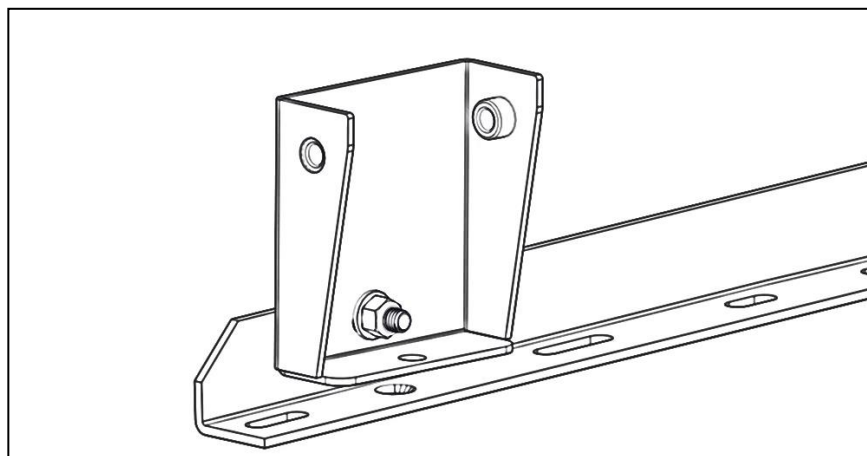
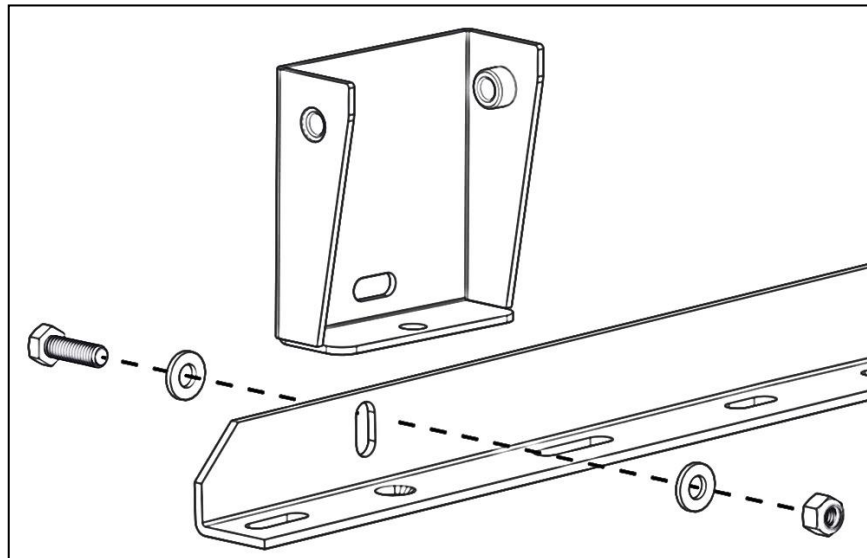
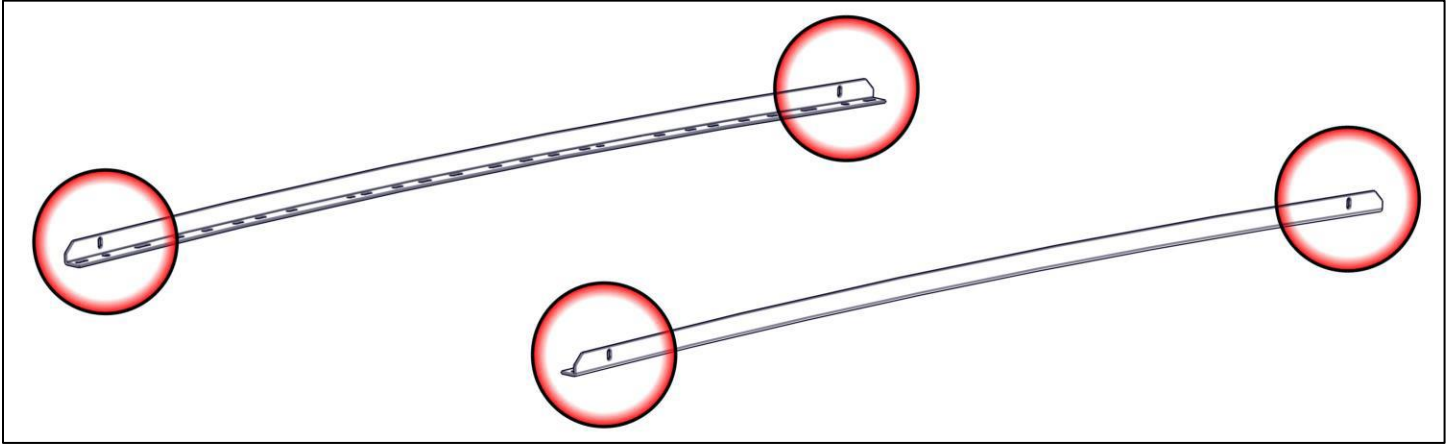
**Note: Additional M8 x 22mm flat head screws are provided if mounting of feet interferes with bolts.**



## Assembly Instructions

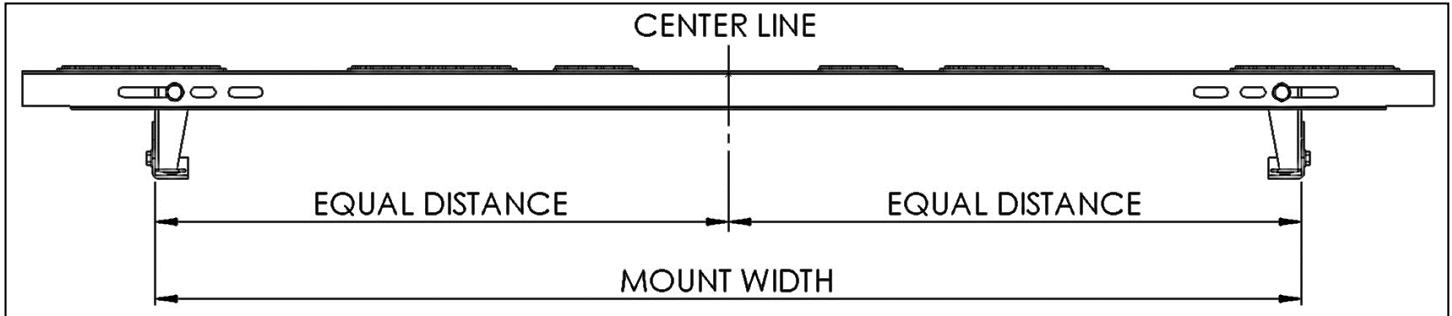
### Step 1 – Mount Feet to Rails

- Bolt the feet to the rails in the location and orientation shown using 5/16" x 1" hex head, two 5/16" flat washers and a 5/16" lock nut.
- Snug tighten, but allow movement.

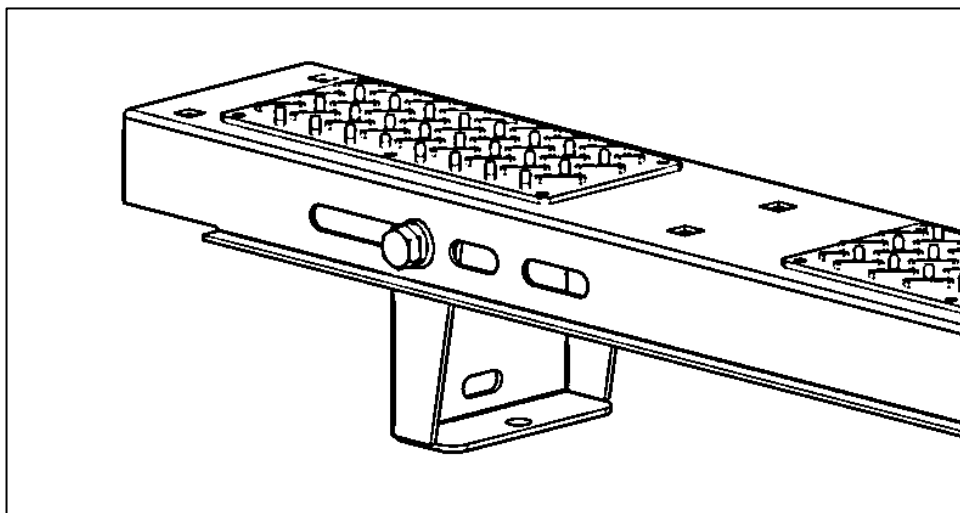
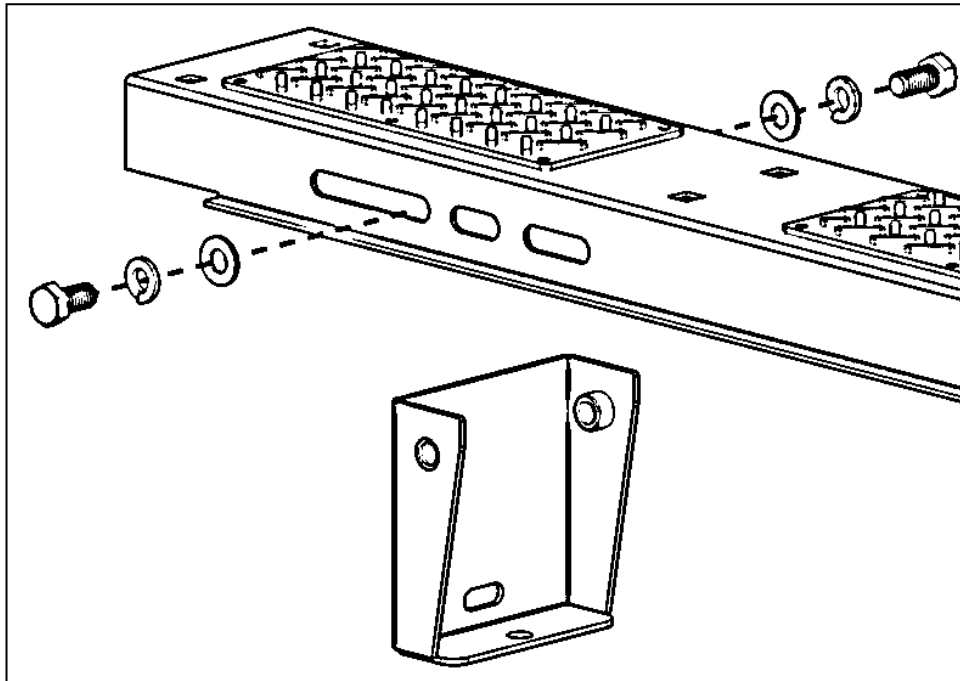


## Step 2 – Install Feet to Bows

- Place the bows and center on top of the previously installed feet. The same slot should be used at both ends of the bows.



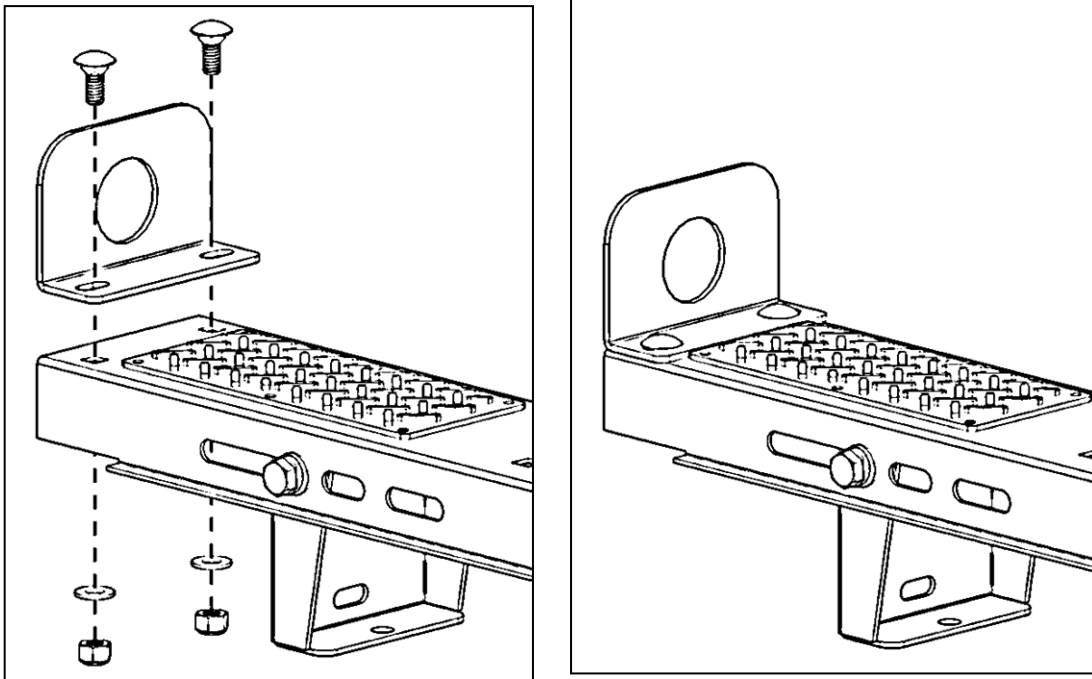
- Use a 3/8" x 3/4" hex head bolt, 3/8" lock washers and a 3/8" flat washer to bolt the foot to the cross member.
- **DO NOT TIGHTEN.** Snug tighten, but allow movement.



## Step 3 – Attach End Stops

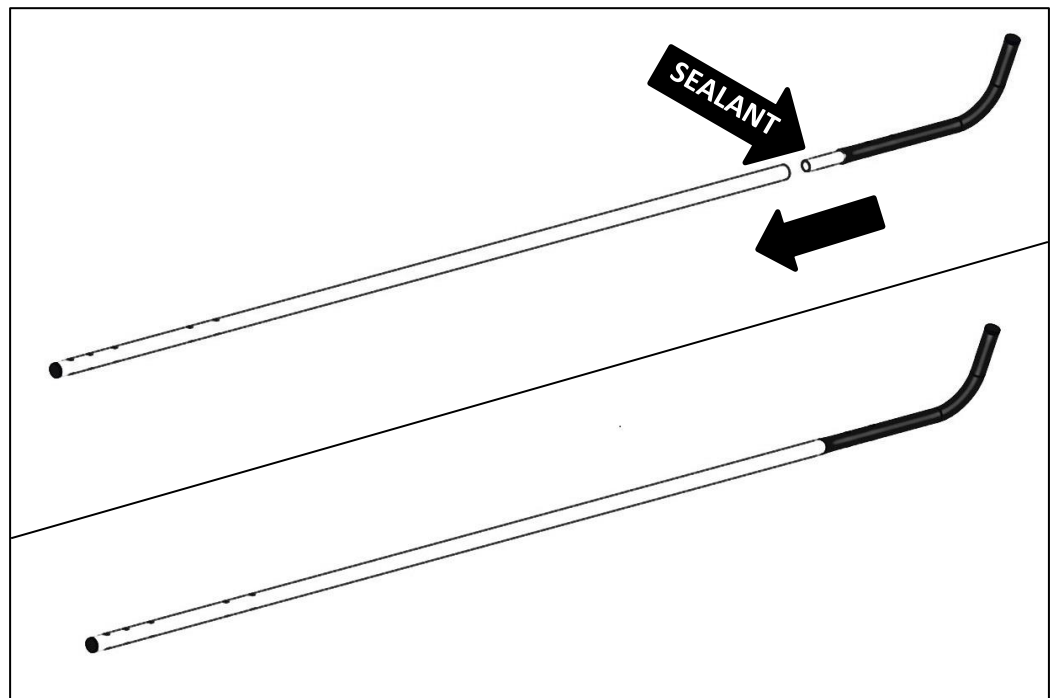
**NOTE: Skip this step if adding driver-side ladder rack.**

- On each bow, attach an end plate to the driver side using 5/16" carriage bolts, 5/16" washers and 5/16" lock nuts.
- TIGHTEN.

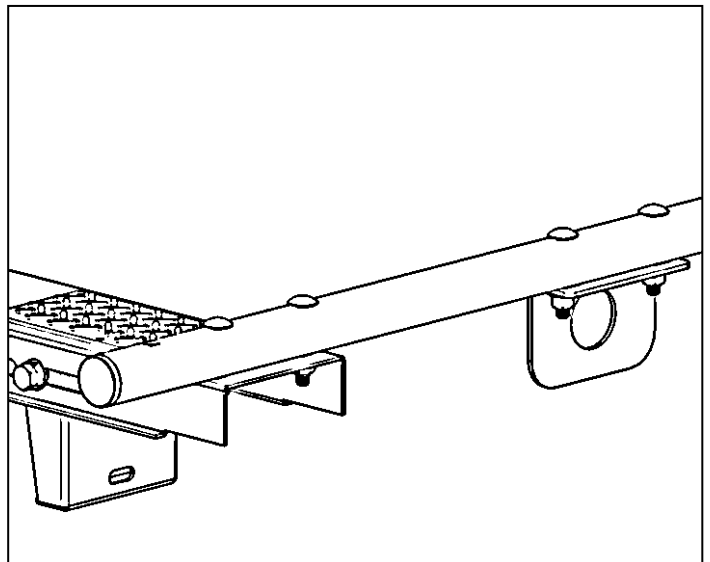
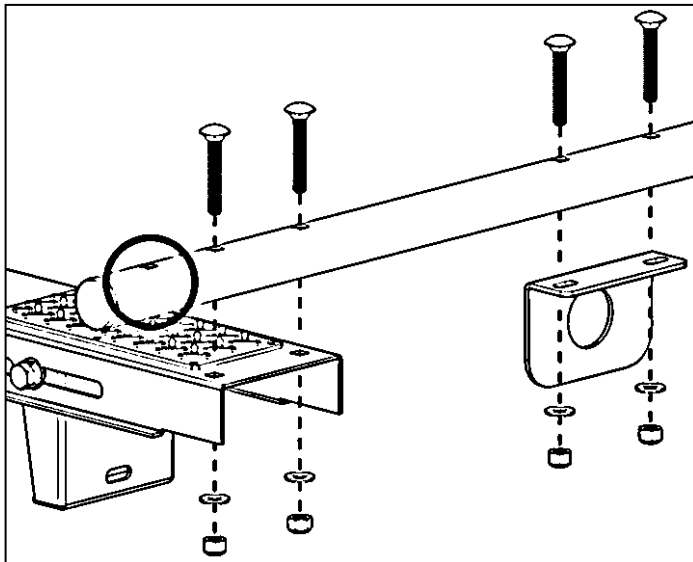
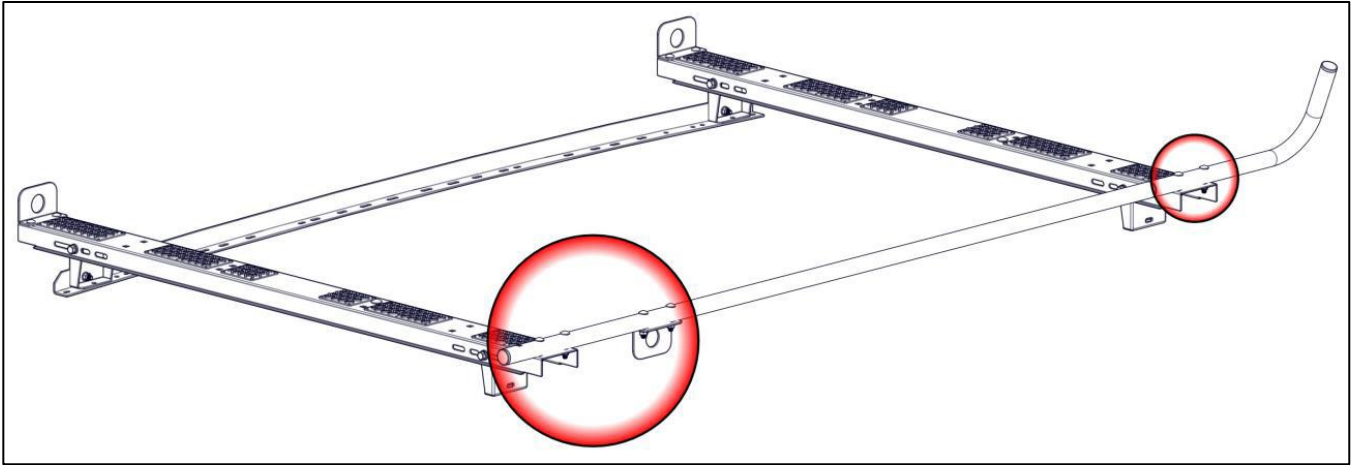


## Step 4 – Mount Side Tube

- Assemble the side tube.
- Place sealant around the connection of the two tubes.
- While still malleable, place the side tube assembly on top of the installed bows. Have the bend towards the front and outside of the vehicle as shown.

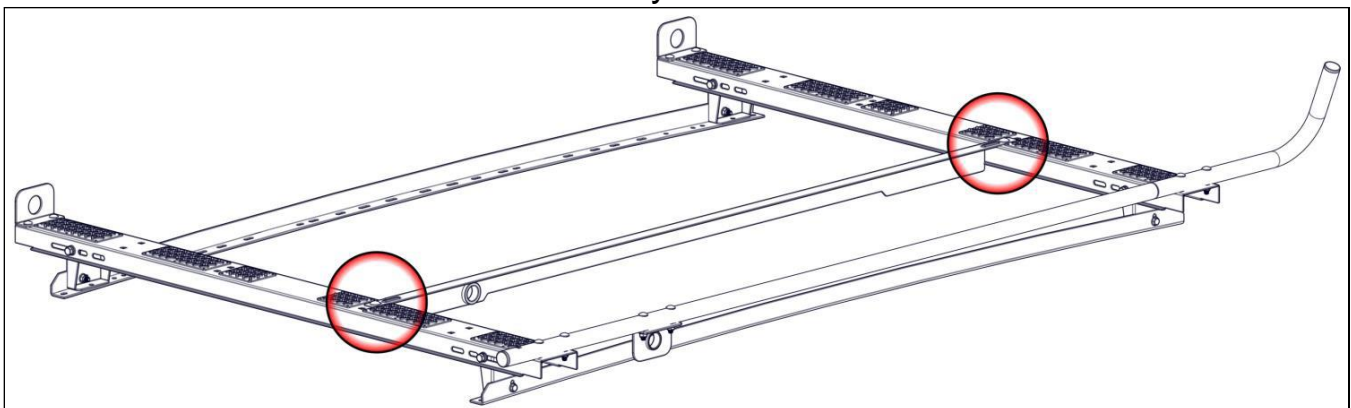


- Mount an end plate at the rear of the tube as shown.
- Leave one square slot open at the rear of the side tube.
- Bolt to the front and rear bow using 5/16" x 2" carriage bolt, a 5/16" flat washer and a 5/16" lock nut.
- Snug tighten, but allow movement.

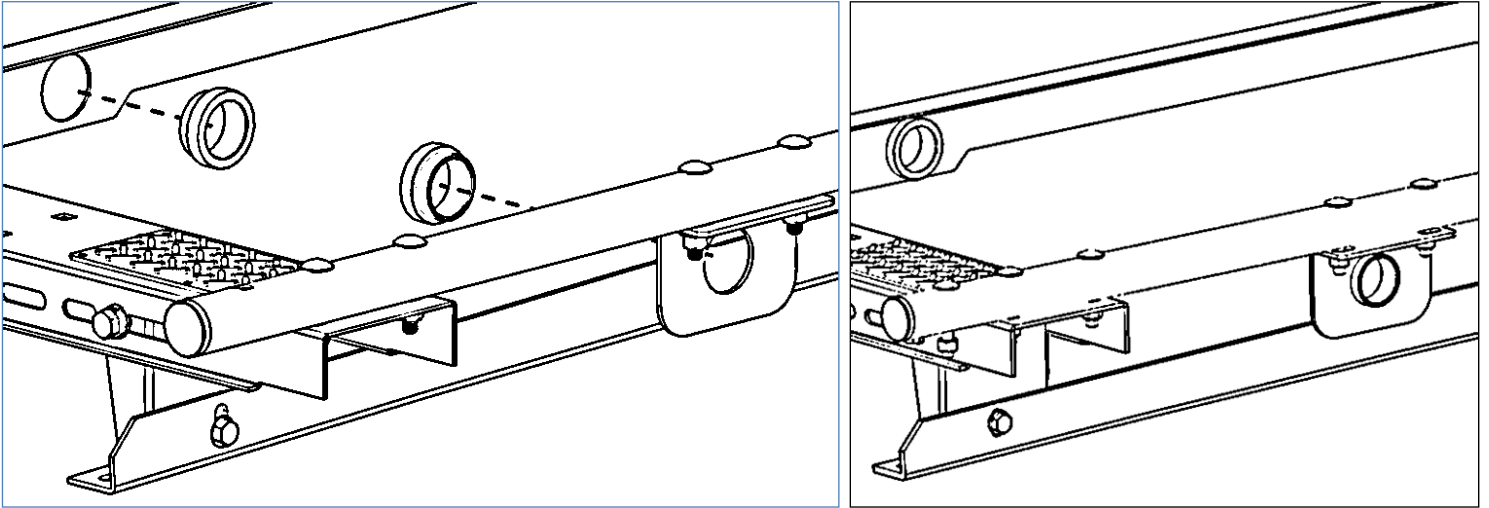


## **Step 5 – Mount Angle Bracket**

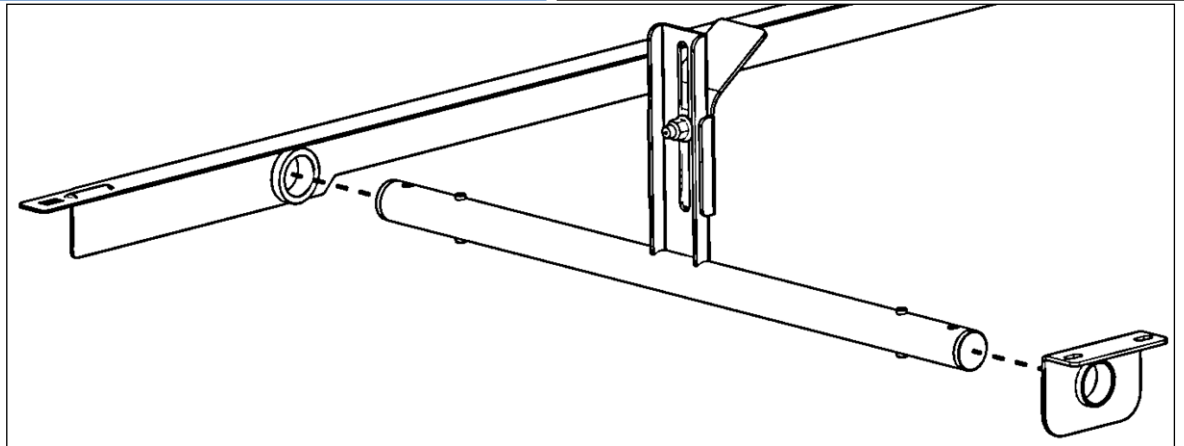
- Place the angle bracket on top of the installed bows with the long flange towards the center of the vehicle. Do NOT install any hardware.



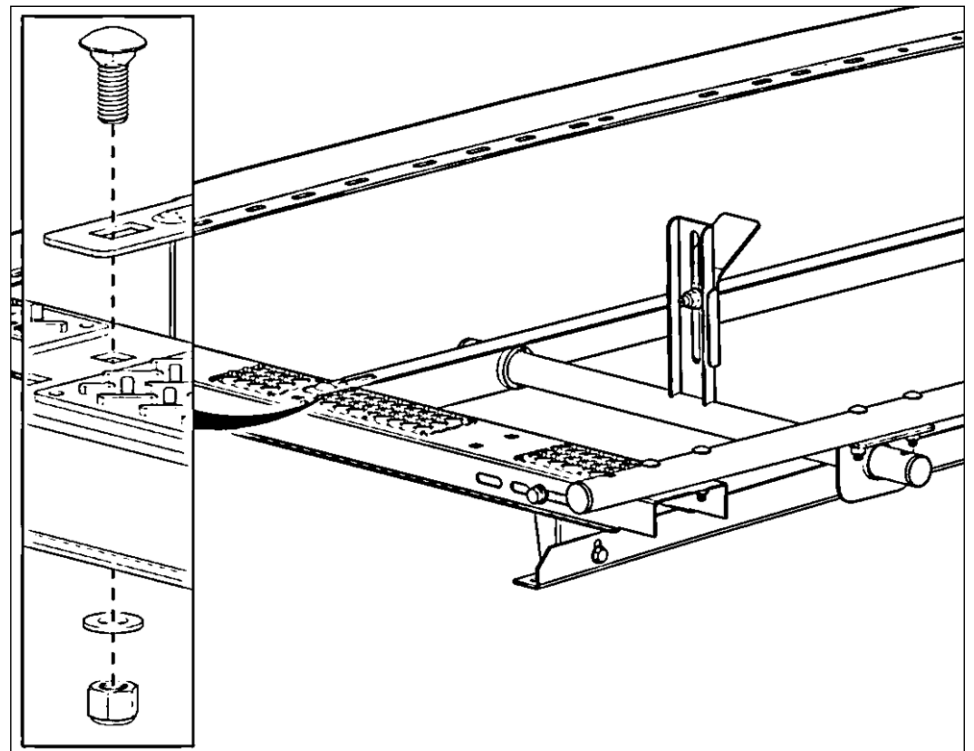
- Insert plastic bushings into angle bracket and the ladder stop installed in Step 4, with large flanges of the bushings towards each other and to inside of the brackets shown.



- Insert the clamp tube into the previously installed bushings in the orientation shown.

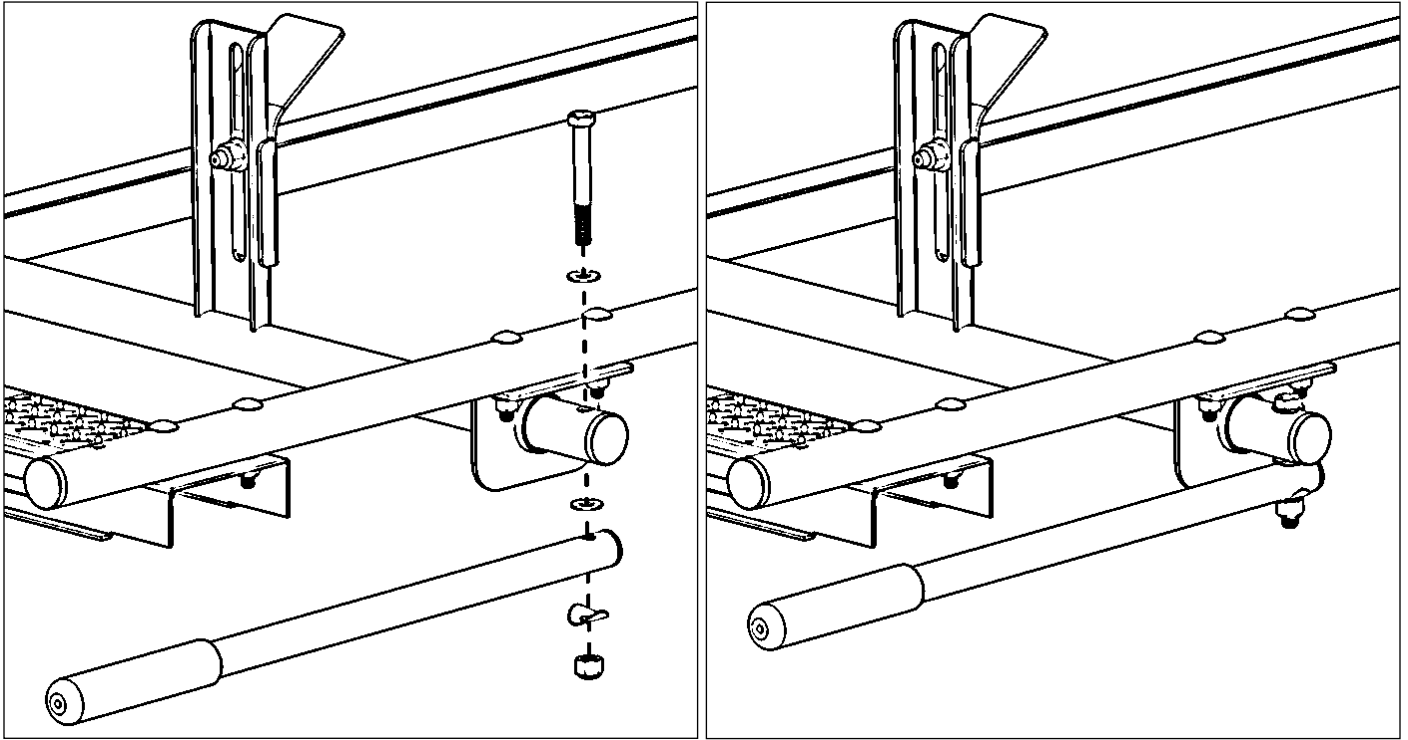


- Bolt the angle bracket to the front and rear bow using 3/8" x 1" carriage bolts, 3/8" flat washers and a 3/8" lock nuts as shown.
- Be sure the bushings CANNOT come out.
- TIGHTEN.



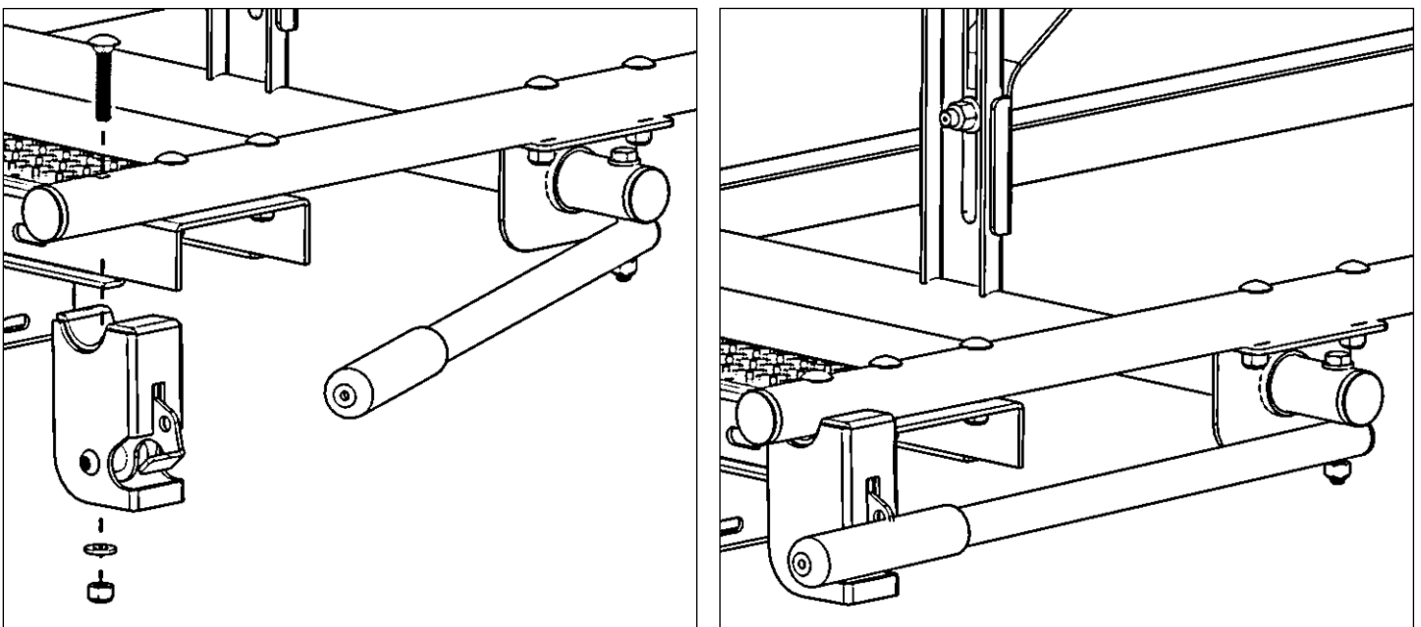
## **Step 6 – Mount Handle**

- Bolt handle to clamp tube using a 3/8" x 3" hex head, a 3/8" flat washer, 3/8" nylon washer, a 3/8" curved washer and a 3/8" lock nut. The nylon washer goes in between the clamp tube and the handle. The curved washer fits the contour of the tube on the handle.
- TIGHTEN, but do not over tighten.



## **Step 7 – Mount Latch**

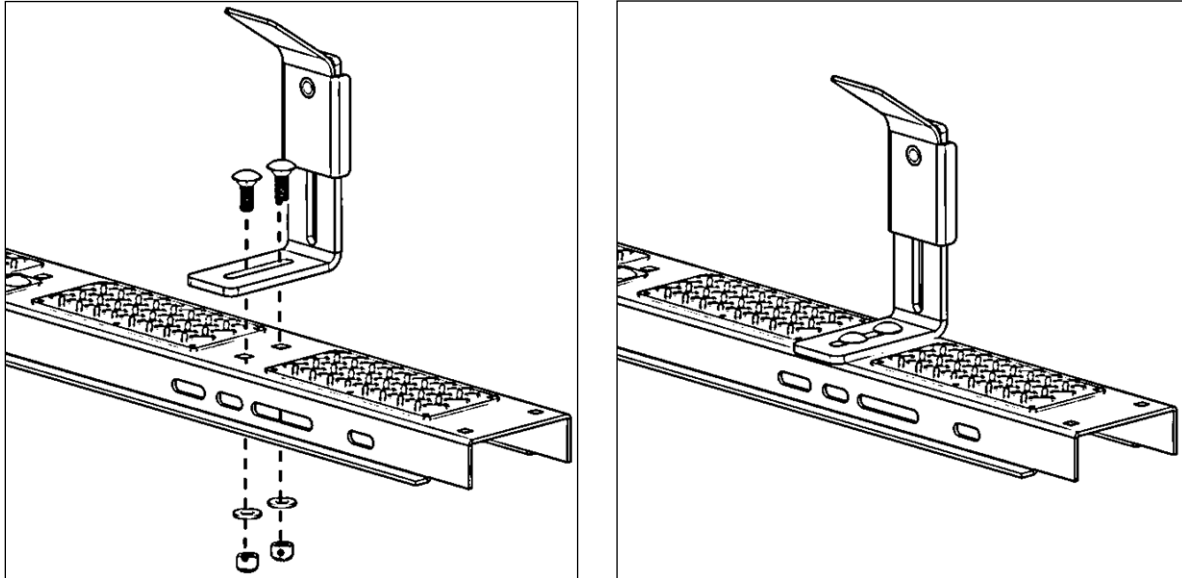
- Bolt latch to the round tube installed in Step 4 through the vacant slot using 5/16" x 2" carriage bolt, 5/16" flat washer and a 5/16" lock nut.
- TIGHTEN.



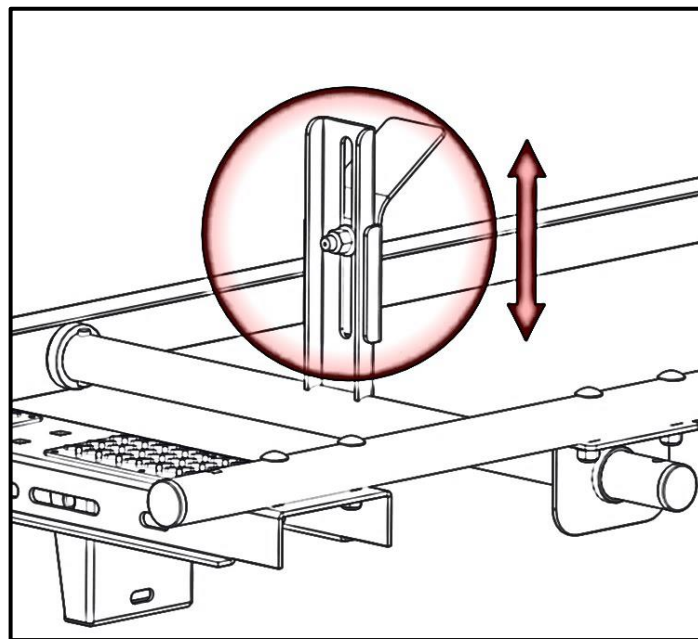
## **Step 8 – Mount Ladder Stop**

- Bolt the ladder stop to front bow in the orientation shown using two 3/8" x 1" carriage bolts, two 3/8" flat washers and two 3/8" lock nuts.
- Adjust clamp on bracket to fit firmly against your ladder.
- TIGHTEN.

*\*Shown without some parts for clarity\**



**After installation, adjust clamps to fit firmly against the ladder.**



**GO BACK AND ENSURE ALL HARDWARE IS TIGHT.**

**INSTALLATION IS NOW COMPLETE.**