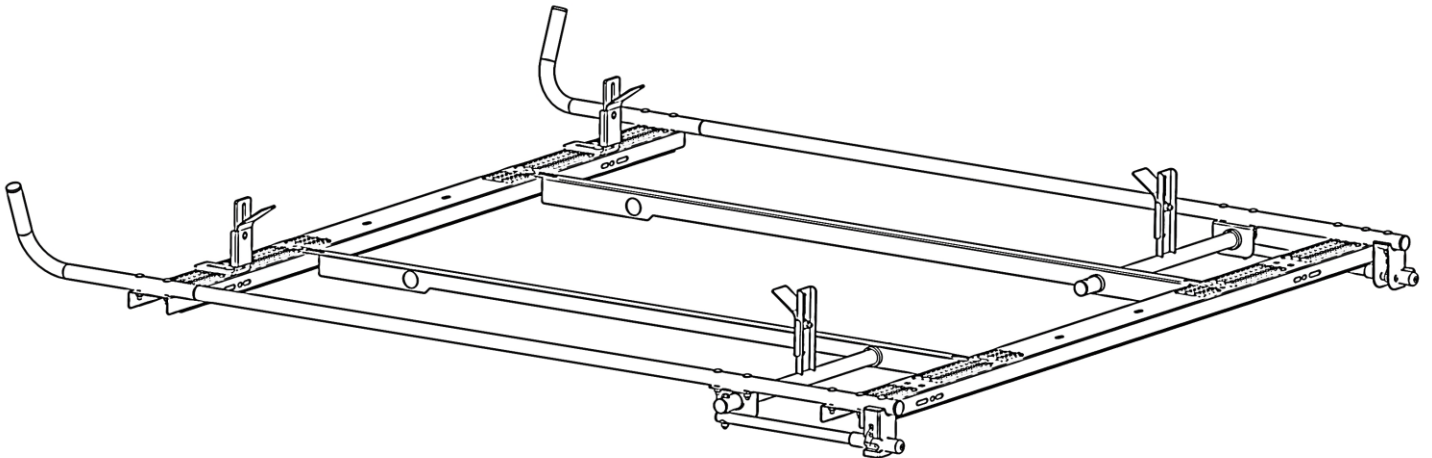


Holman

Installation Guide

4081L



Holman
Rancho Cordova, CA 95742
800-343-7486

InstallationSupport@Holman.com

PLEASE READ ALL INSTRUCTIONS AND WARNINGS PRIOR TO ASSEMBLING, INSTALLING, AND USING THIS PRODUCT.

Warning



Always check for wires, fuel tanks and lines, brake lines and other important vehicle functionality items prior to drilling and installing all products.

Tools Needed

1/2" Wrench and Socket	9/16" Wrench and Socket
------------------------	-------------------------


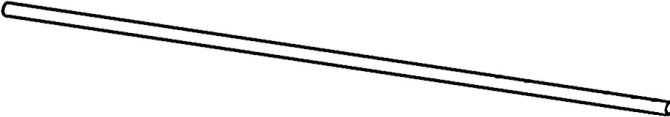

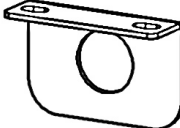
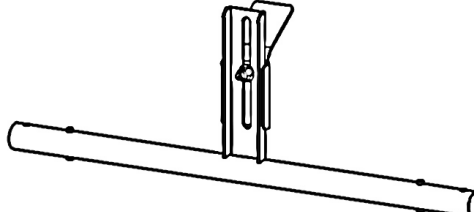
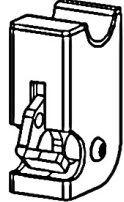
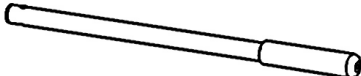
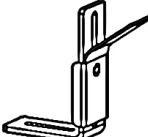
Table of Contents

Before You Begin	1
Parts List.....	2
Hardware	3
Step 1 – Remove Ladder End Stops.....	4
Step 2 – Install Side Tube.....	4
Step 3 – Install Hanger Bracket	5
Step 4 – Attach Clamp Tube and L-bracket.....	6
Step 5 – Mount Handle	8
Step 6 – Mount Latch Assembly	9
Step 7 – Install Ladder Hook to Bow	9
Angle Pad Orientations and Locations	11
Clamp Mechanism Orientation and Angled Pad Positions.....	11
Examples of Ladder Clamps Firmly Against Ladder Rungs.....	11








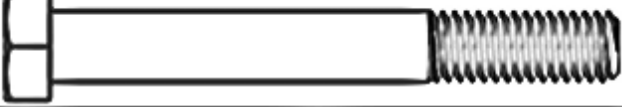

Before You Begin

- Read all instructions prior to assembling or installing any Holman product.
- Have vehicle specific mount kit installed on vehicle.
- Most times it is easier to assemble on top of the roof, after the mount kit has been installed.
- **DO NOT EXCEED MANUFACTURERS WEIGHT CAPACITY FOR ROOF.**
- **Be sure to adjust ladder clamps accordingly to secure ladder firmly to rack. To adjust, refer to Clamp and Lock adjustment guide.**

Parts List

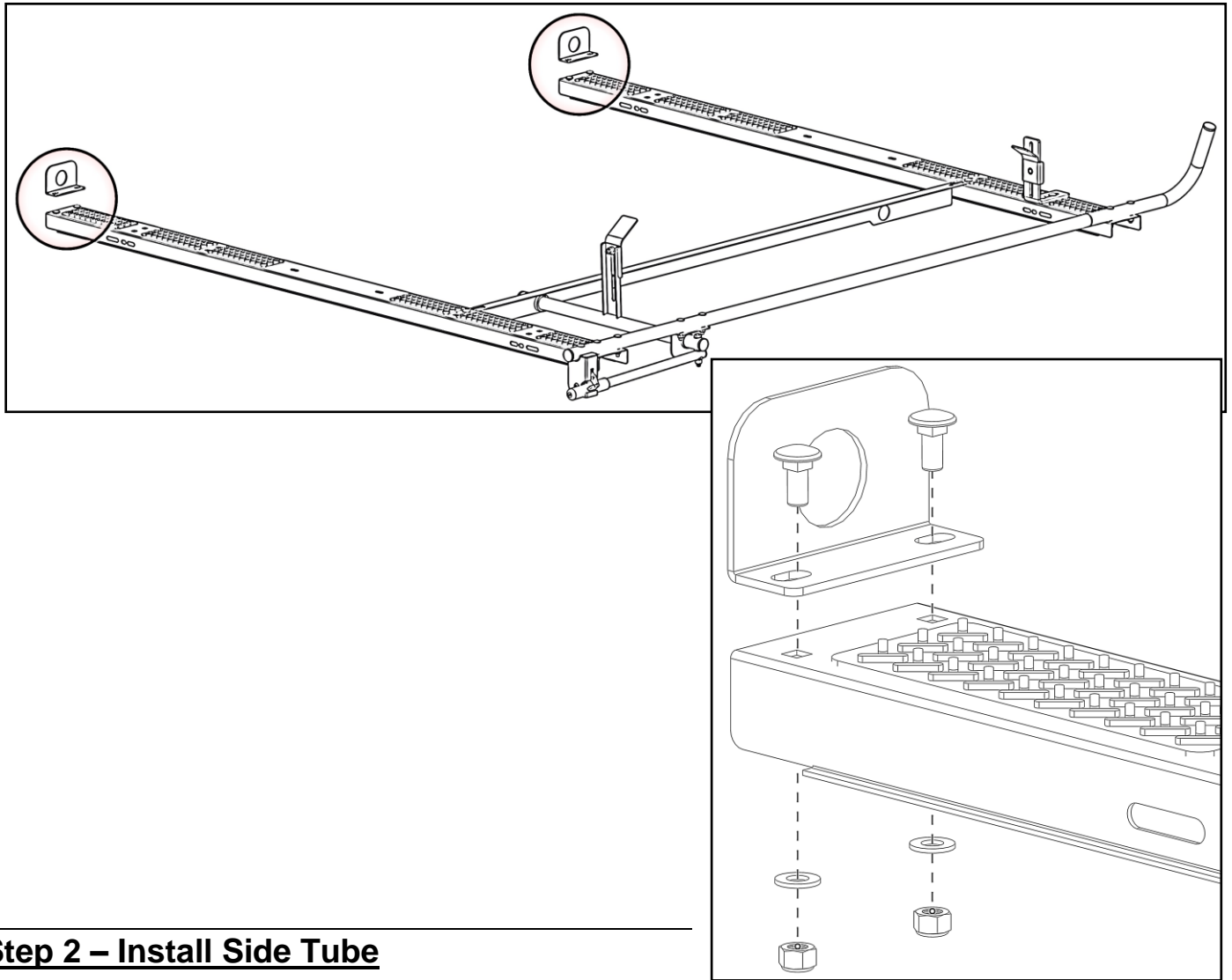
ITEM NO.		PART NUMBER	DESCRIPTION	QTY
A		11-03005	Long Angle L-Bracket	1
B		40800-51	Tube	1
C		40800-52-L	J-Tube	1
D		11-03027	Angle Brkt	1
E		13-03007	Rotating Clamp	1
F		40813-44	Latch Assembly	1
G		13-03008	Handle	1
H		13-03009	Ladder Stop	1
		18-4081L	Hardware Kit	1

Hardware

ITEM	HARDWARE TO SCALE	PART NO.	DESCRIPTION	QTY.
1		90295A170	3/8" Nylon Washer	1
2		95615A140	3/8"-16 Nyloc Nut	5
3		90126A031	3/8" Flat Washer	5
4		90185A624	3/8"-16 x 1" Carriage Bolt	4
5		90185A591	5/16"-18 x 2" Carriage Bolt	7
6		.312 FLAT WASHER	5/16 Flat Washer	7
7		95615A160	5/16"-18 Nyloc Nut	7
8		91247A636	3/8"-16 x 3" Hex Head	1
9		40800-10-007	PLASTIC BUSHING Scale 1:2	2
10		91844A370	3/8" Contour Washer	1
11		60ml Sealant	Sealant	1

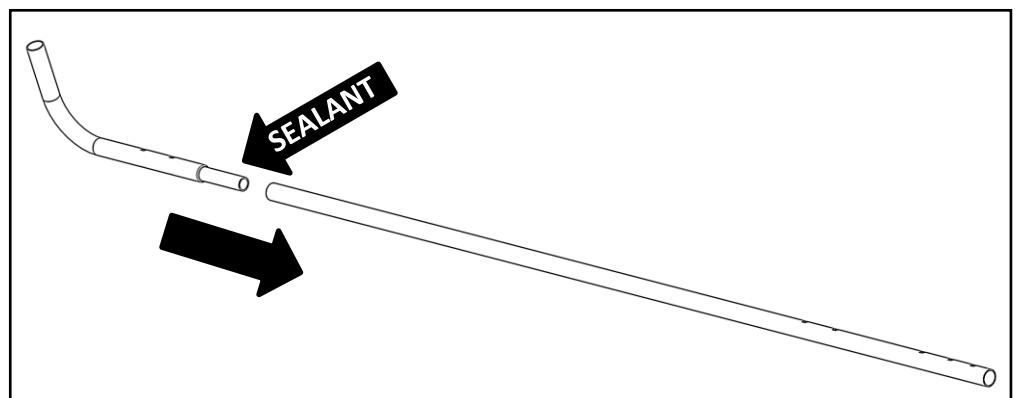
Step 1 – Remove Ladder End Stops

- If haven't already done so, remove ladder stops from the opposite end of both bows where the existing ladder rack is installed.

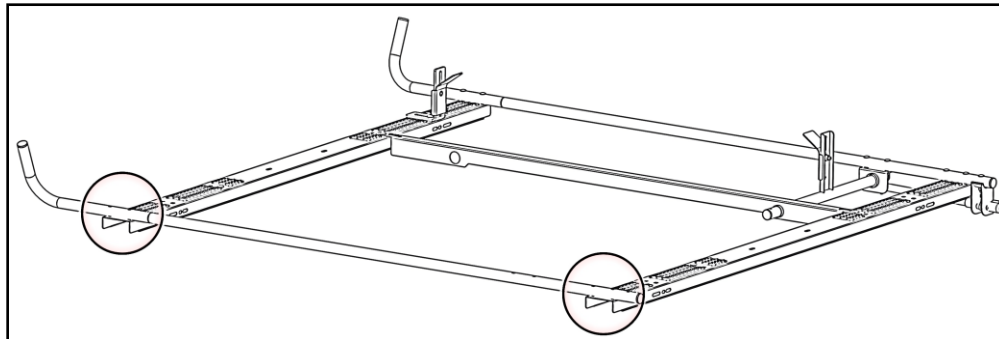


Step 2 – Install Side Tube

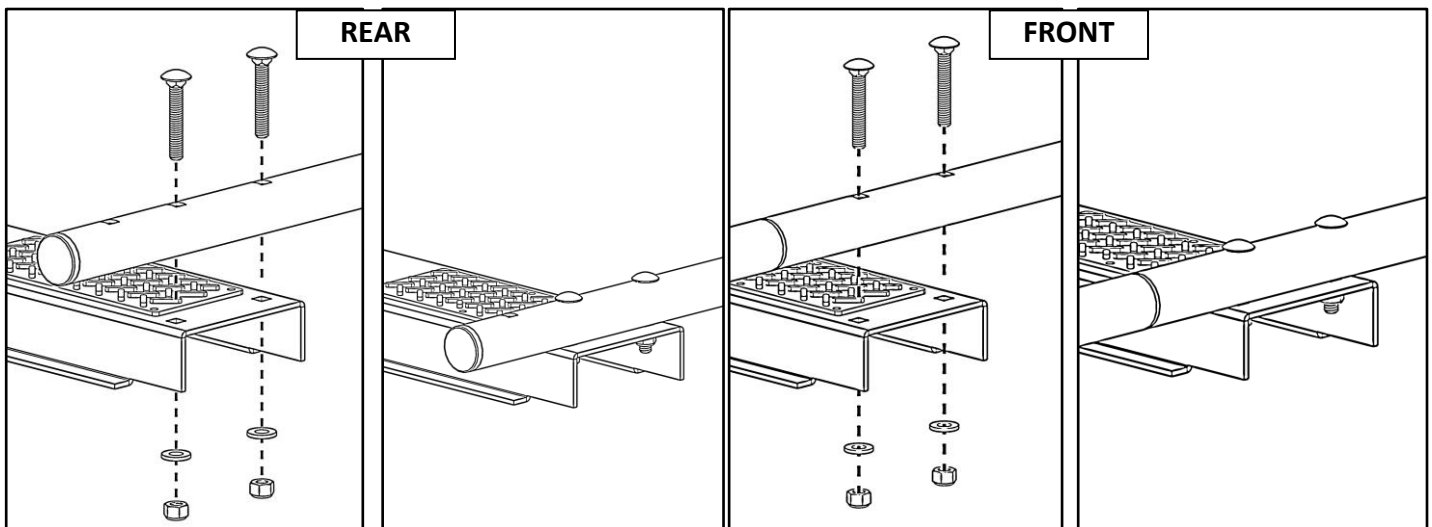
- Insert the J-tube into the tube as shown.
- Place sealant along the swage joint.



- Place J-tube assembly on top of the installed bows. **Be sure the J-Tube is oriented with hook towards front and outside of vehicle.**
- **Leave one square slot open at the rear of the tube.**

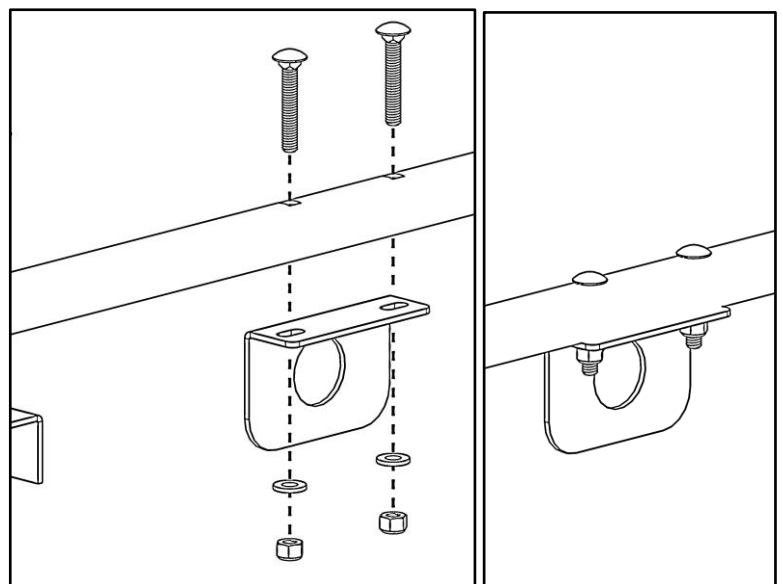


- Mount the tube assembly to the bows using 5/16" x 2" carriage bolts, 5/16" flat washers and 5/16" lock nuts.



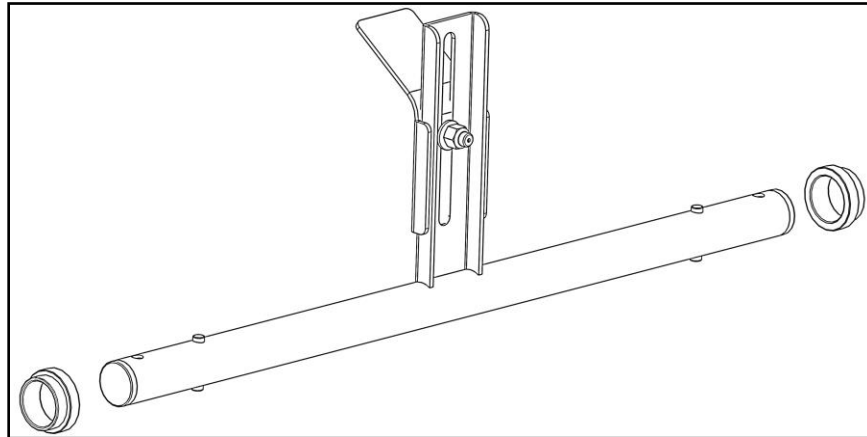
Step 3 – Install Hanger Bracket

- Mount the angle bracket to the underside of the tube assembly in the orientation shown using 5/16" x 2" carriage bolts, 5/16" flat washers and 5/16" lock nuts. **Be sure to have the angle bracket offset to the center of the vehicle.**

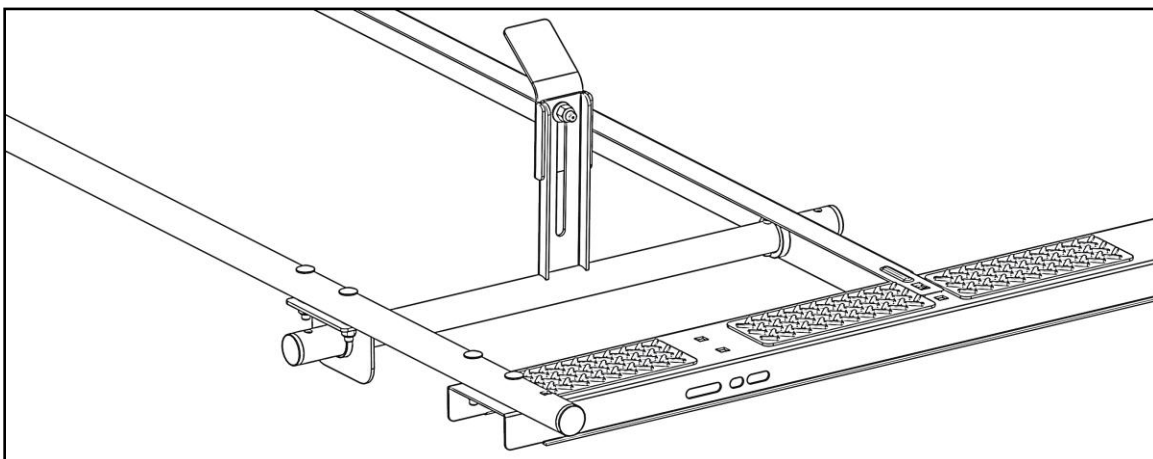
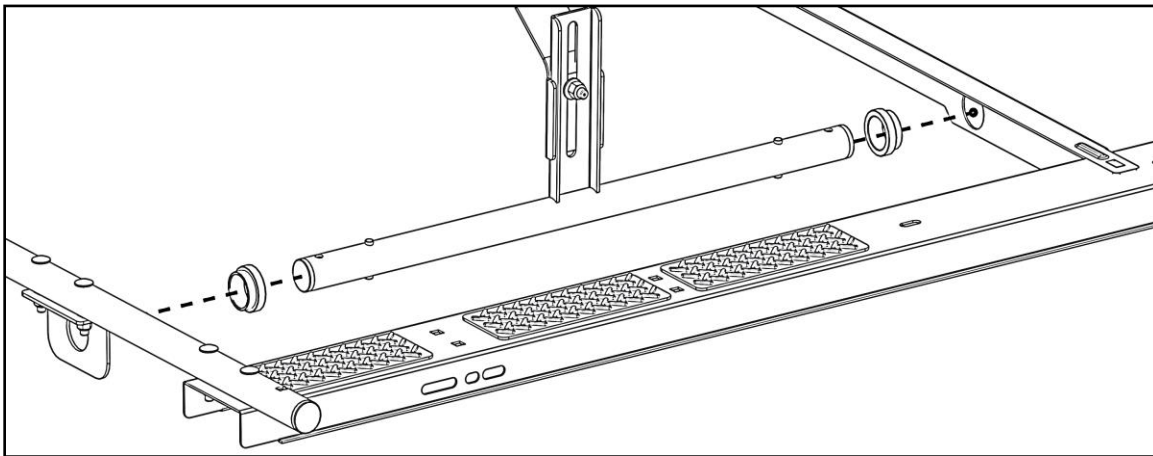


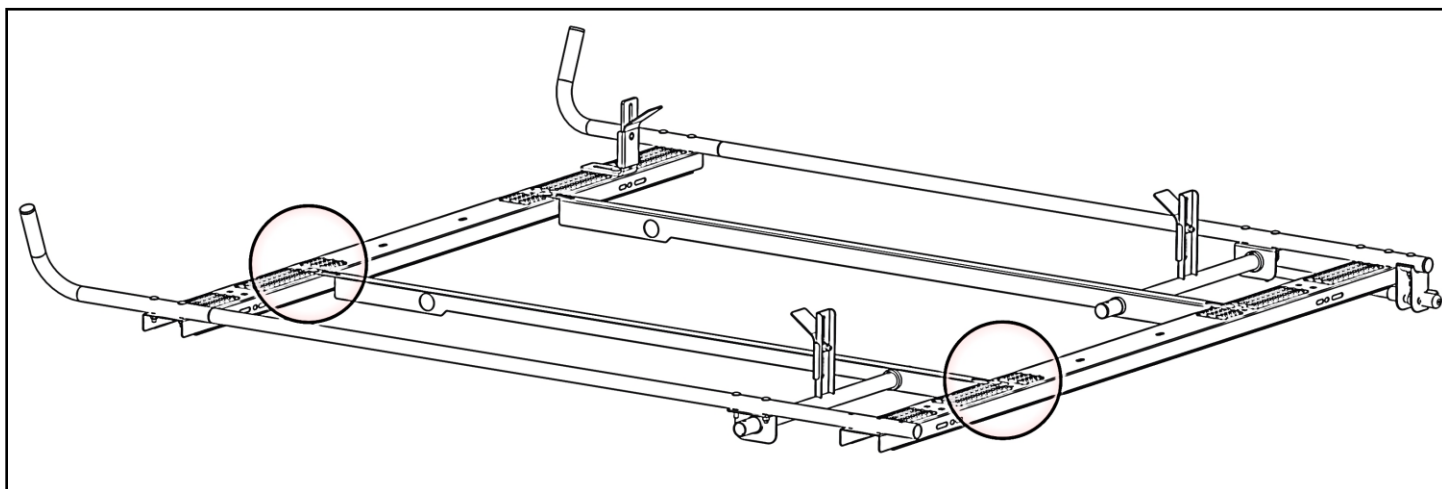
Step 4 – Attach Clamp Tube and L-bracket

- Place the plastic bushings on the rotating clamp in the orientation shown. **Be sure to have the long flange of the L bracket to the center of the vehicle.**

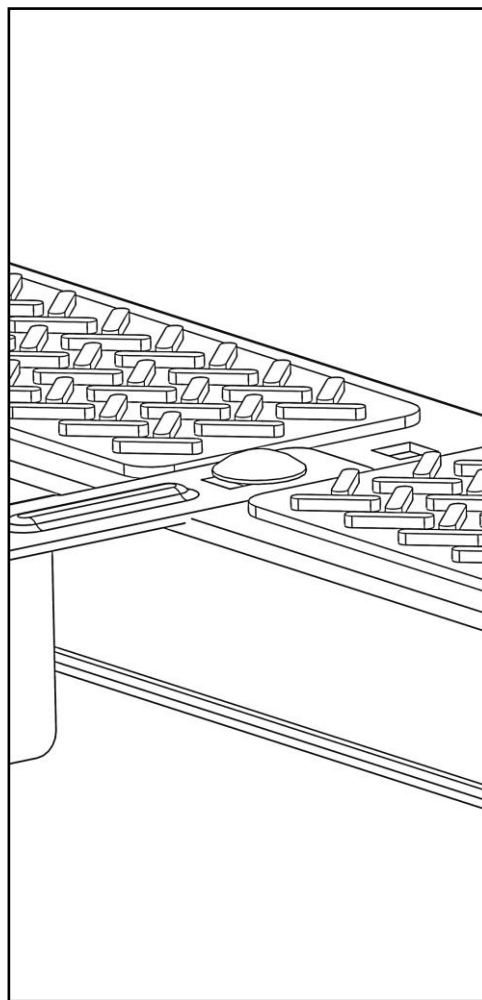
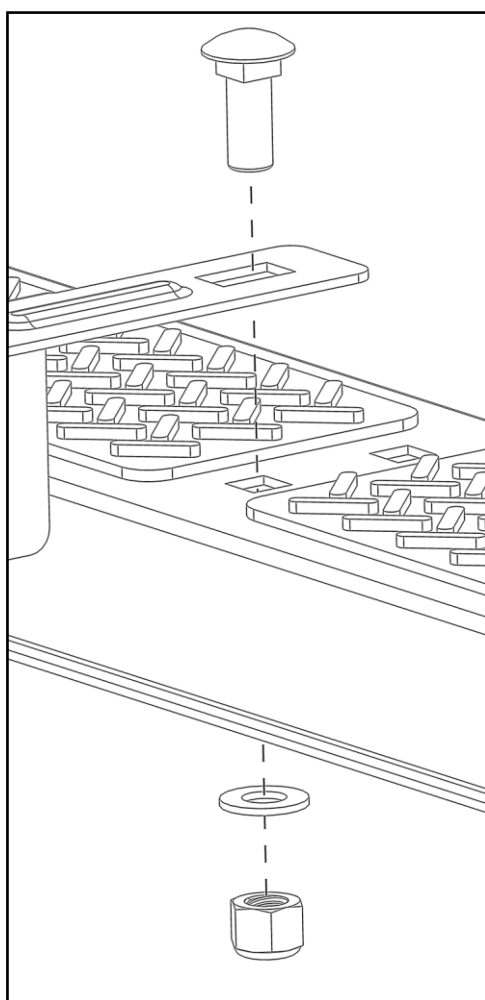


- Place the long angle bracket on top of the bows as shown. Have the bend offset to the center of the vehicle.
- Insert the bushings into the long angle bracket and the angle bracket. **Be sure to install the bushings in an orientation so they CANNOT fall out.**



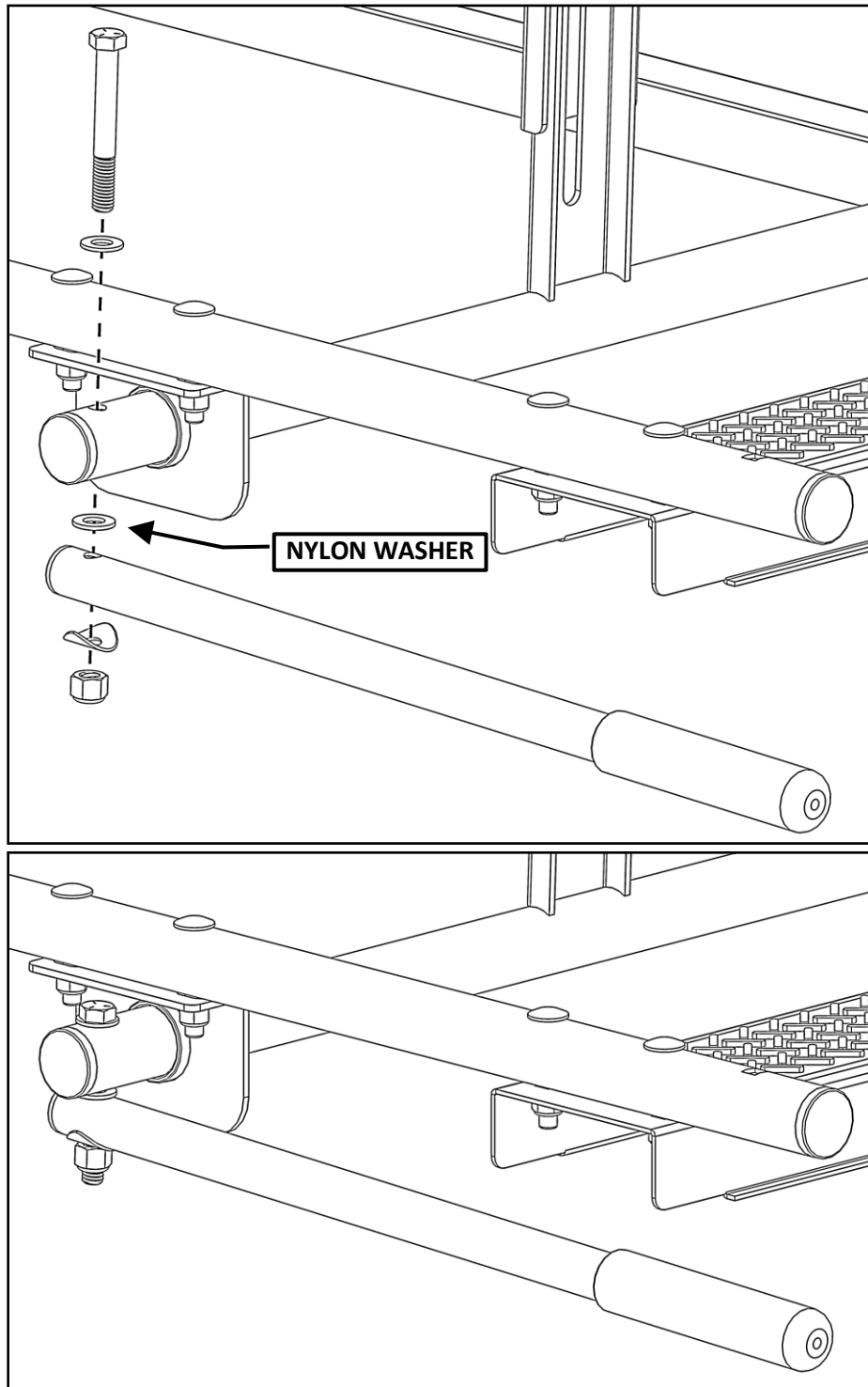


- Attach the long L-bracket to both bows in the orientation shown using 3/8" x 1" carriage bolts, 3/8" flat washers and 3/8" lock nuts.



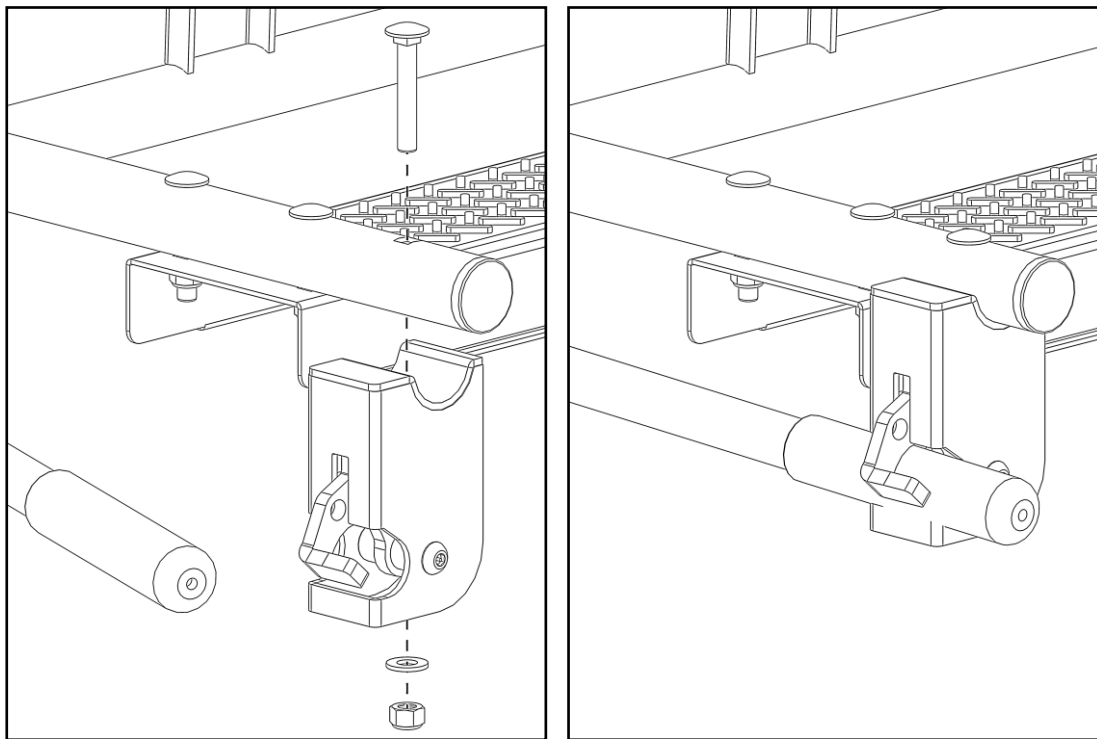
Step 5 – Mount Handle

- Bolt the handle to the rotating clamp in the order shown using a 3/8" x 3" hex head, a 3/8" flat washer, 3/8" nylon washer, 3/8" contour washer and a 3/8" lock nut. The nylon washer goes in between the rotating clamp and the handle. The contour washer goes against the handle.
- DO NOT overtighten. Handle should rotate freely.



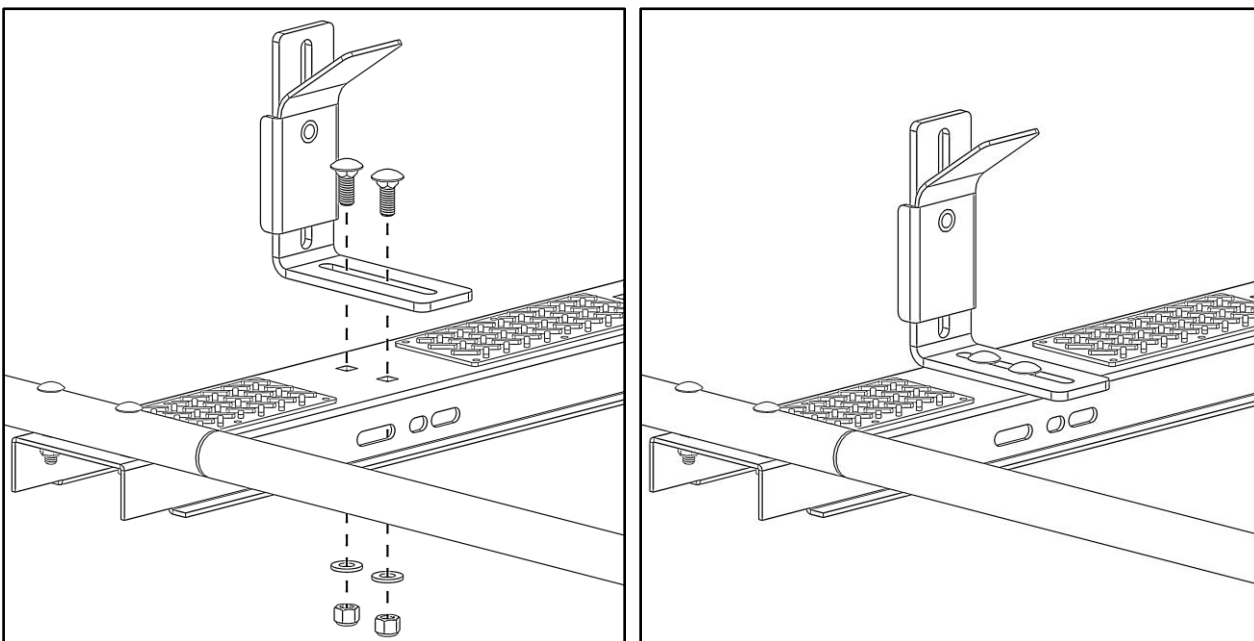
Step 6 – Mount Latch Assembly

- Attach the latch assembly to the rear most square hole in the tube using 5/16" x 2" carriage bolt, 5/16" flat washer and 5/16" lock nut.



Step 7 – Install Ladder Hook to Bow

- Bolt the ladder hook bracket to the front bow in the orientation shown using two 3/8" x 1" carriage bolts, two 3/8" flat washers and two 3/8" lock nuts.
- **TIGHTEN.**
- **Adjust ladder hooks to fit ladder.**

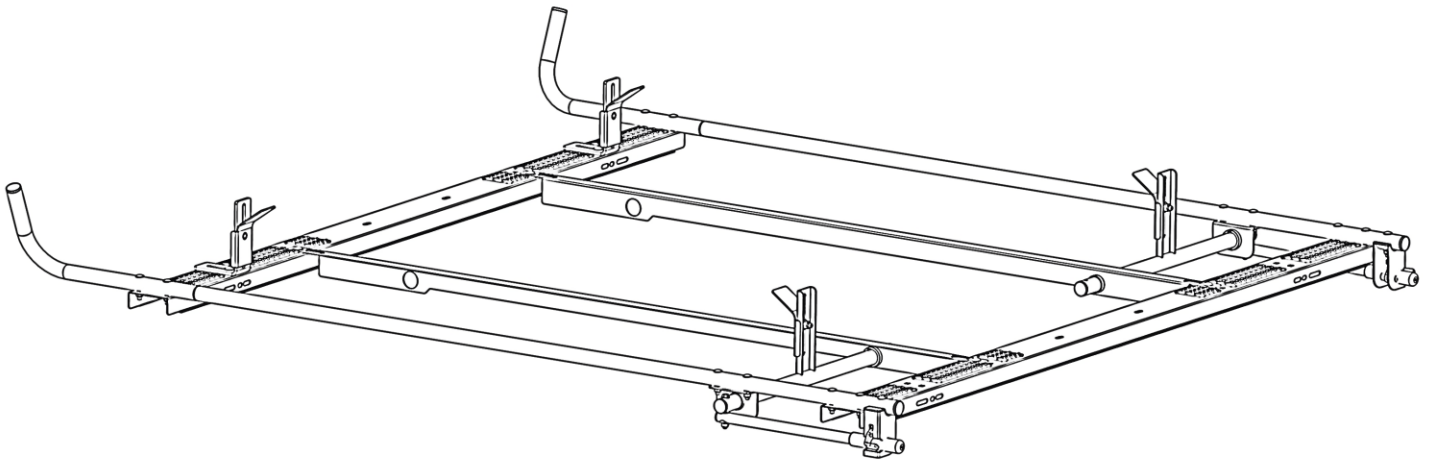


GO BACK AND ENSURE ALL HARDWARE IS TIGHT.

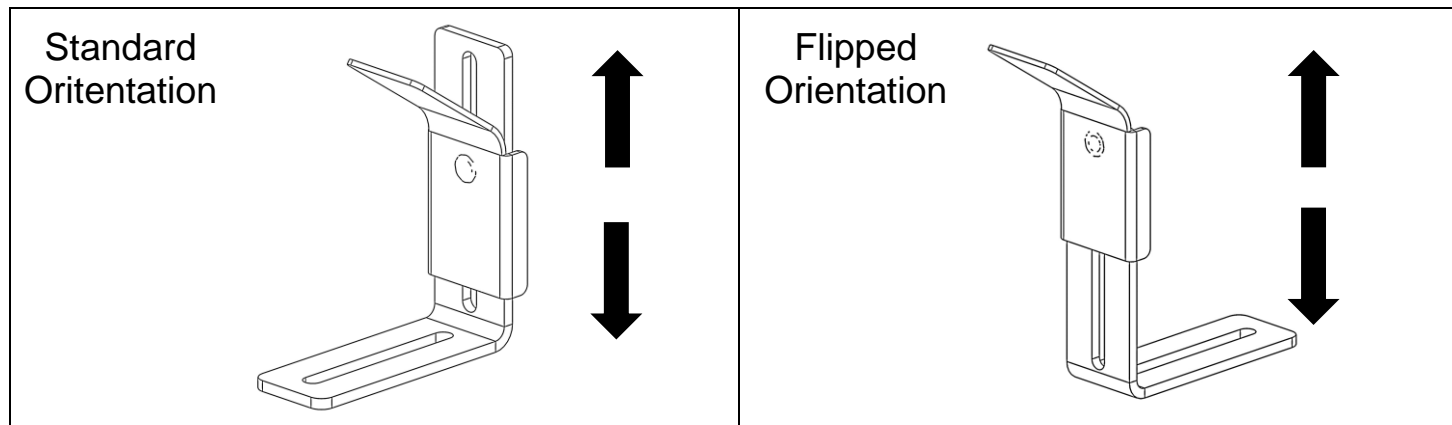
YOUR INSTALLATION IS NOW COMPLETE.

Refer to the Clamp and Lock Adjustment instructions to adjust the rack to your ladder.

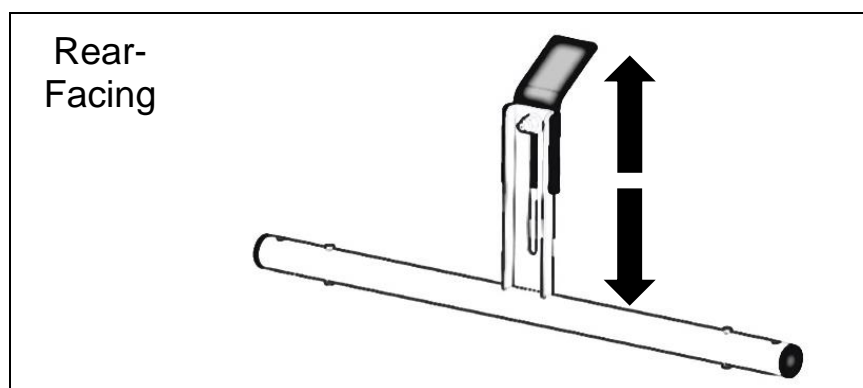
ALWAYS BE SURE LADDER IS SECURE PRIOR TO TRANSPORTATION.



Angle Pad Orientations and Locations

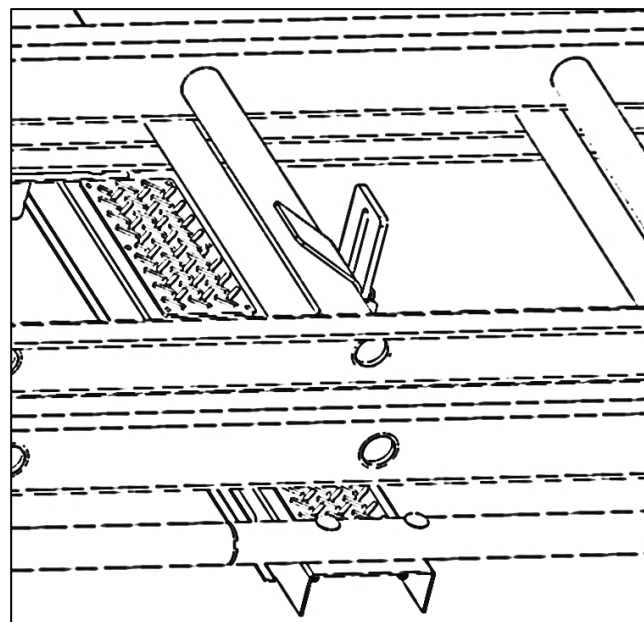
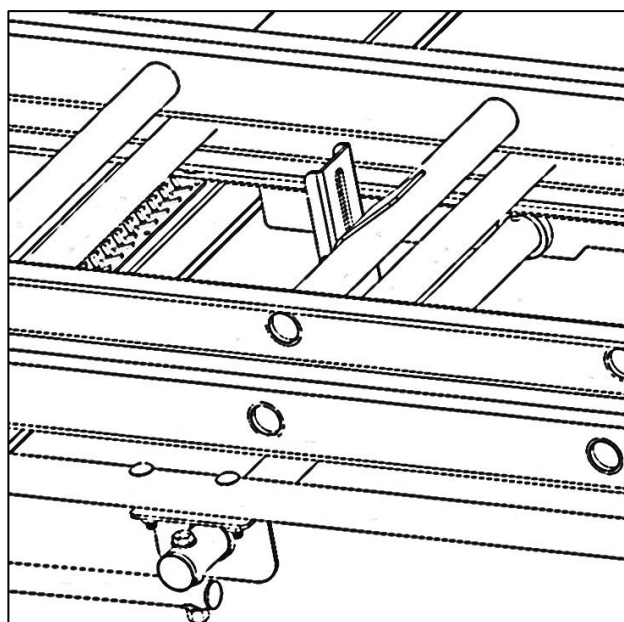


Clamp Mechanism Orientation and Angled Pad Positions



Examples of Ladder Clamps Firmly Against Ladder Rungs

- Be sure to position the ladder hook in a way so the hook clamps the ladder tight into place. A tight fit ensures the ladder cannot fall off the rack.



BE SURE THE LADDER HOOKS ARE FIRMLY AGAINST THE LADDER STEPS OR RUNGS.