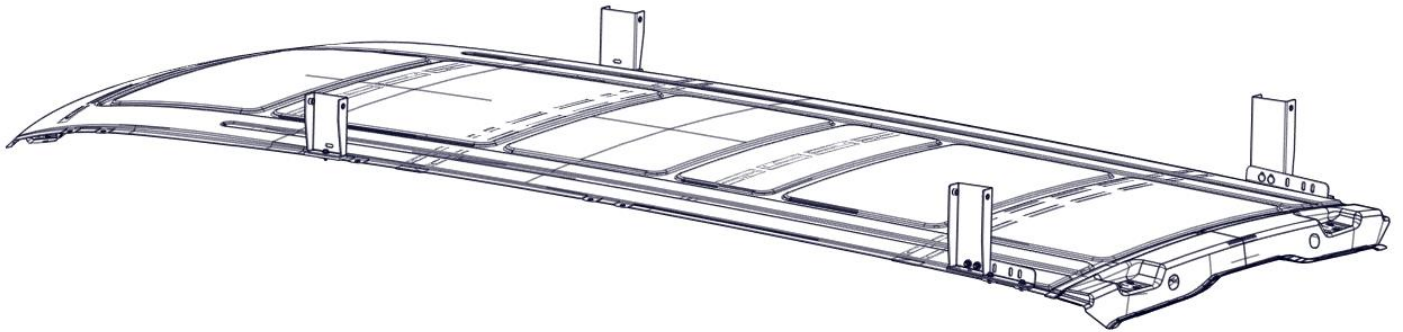


Holman

Installation Guide 4081M



Holman
Rancho Cordova, CA 95742
800-343-7486
InstallationSupport@Holman.com

PLEASE READ ALL INSTRUCTIONS AND WARNINGS PRIOR TO ASSEMBLING, INSTALLING, AND USING THIS PRODUCT.

Warning



Always check for wires, fuel tanks and lines, brake lines and other important vehicle functionality items prior to drilling and installing all products.

Table of Contents

Tools Needed	1
Before You Begin	1
Parts List.....	2
Hardware	3
Step 1 – Mount Front Foot.....	4
Step 2 – Mount Rear Foot Bracket	5
Step 3 – Rear Foot to Mount	6
Step 4 – Installing Ladder Bows	7

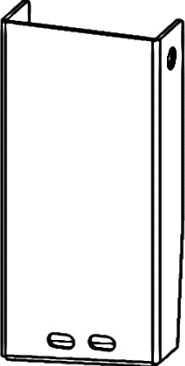
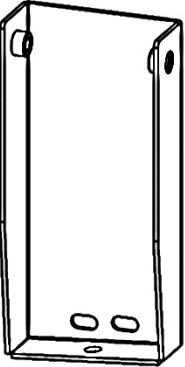
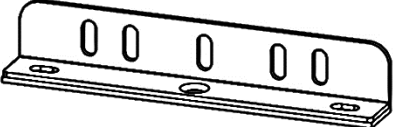
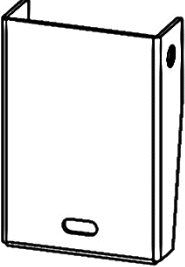
Tools Needed

9/16" Socket and Wrench	1/2" Socket and Wrench
10mm Socket and Wrench	

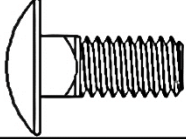


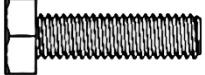


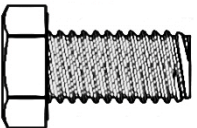
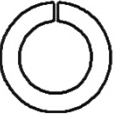
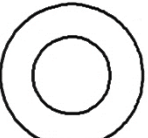

Before You Begin

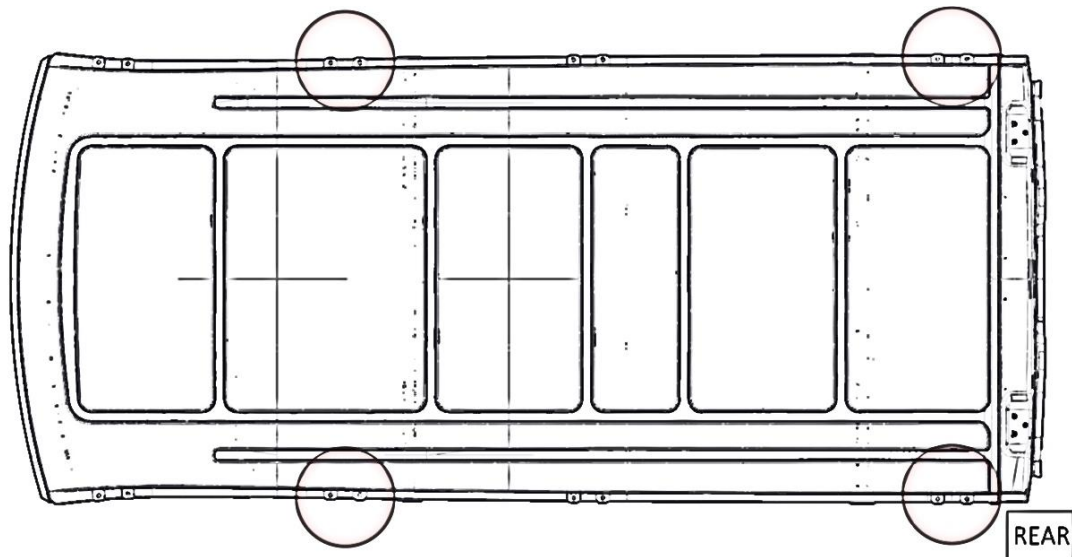
- Read all instructions prior to assembling or installing any Holman product.
- Follow ladder rack instructions after installing mount feet.
- **Always locate your installation locations prior to performing any work.**
- **ENSURE SAFETY WHILE INSTALLING OR DRILLING INTO VEHICLE.**
- **Be sure to put sealant around all threads entering cargo area and between the rubber spacer and roof of vehicle to prevent water from leaking into cargo area.**

Parts List

ITEM NO.		PART NUMBER	DESCRIPTION	QTY.
A		4090M-10-R1	Large Foot Assembly	1
B		Mirror-4090M-10-R1	Mirror_Large Foot Assembly	1
C		40903-10	Small Angle Brk	2
D		13-03105	Small Foot Assembly	2
		18-4081M	Hardware Kit - Metris Mount	1

Hardware

ITEM	HARDWARE TO SCALE	PART NUMBER	DESCRIPTION	QTY.
1		21810	5/16"-18 X 3/4" CARRIAGE BOLT	4
2		90126A030	5/16" FLAT WASHER	4
3		70861	5/16"-18 LOCK NUT	4
4		38560	M6 X 1.0 X 22MM HEX HEAD BOLT	6
5		33618	1/4" LOCK WASHER	6
6		33078	1/4" FLAT WASHER	6
7		70105	3/8-16 X 1" HEX HEAD BOLT	8
8		0123496	3/8" SPLIT LOCK WASHER	8
9		0159723	3/8" FLAT WASHER	8
10			Front Rail Pad	2
11		Sealant - 60 ml	Self Leveling Adhesive Sealant	1

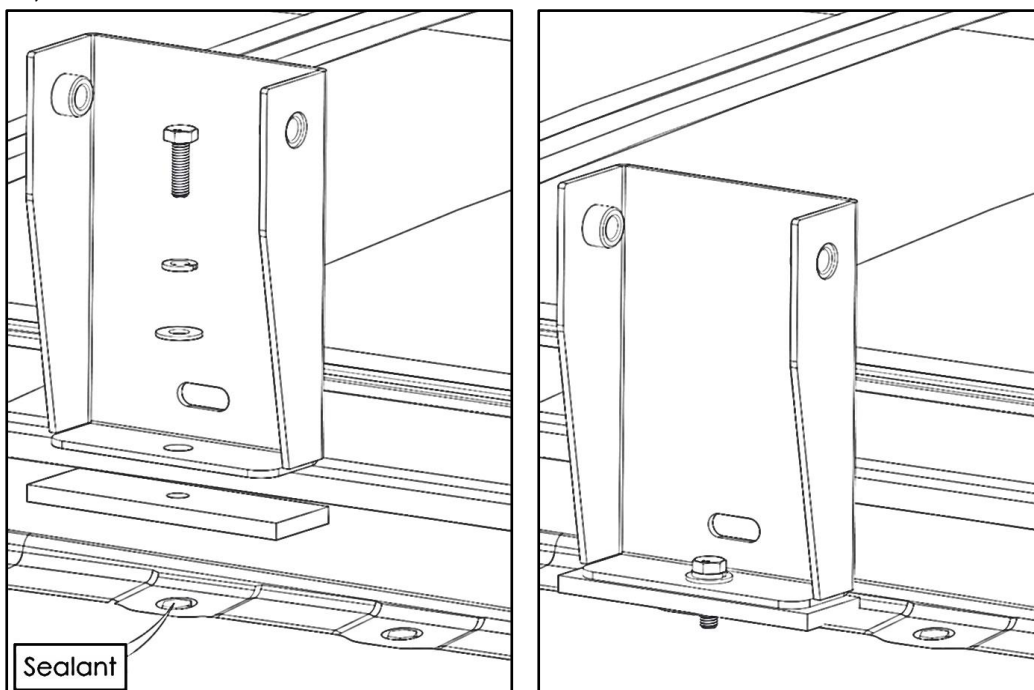


Step 1 – Mount Front Foot

- Locate front mount locations as shown above.
- Remove front most plastic cap in these locations to expose threads in the roof.
- Place front rail pad over the front most hole.
- Place small foot on top of pad.
- Mount small foot through the front rail pad into the roof using a M6 x 22mm hex bolt, a 1/4" lock washer, and a 1/4" flat washer.
- Repeat on opposite side.

NOTE: Be sure to put sealant in and around the threads to ensure the roof will not leak in wet applications.

- Snug tighten, but allow movement.

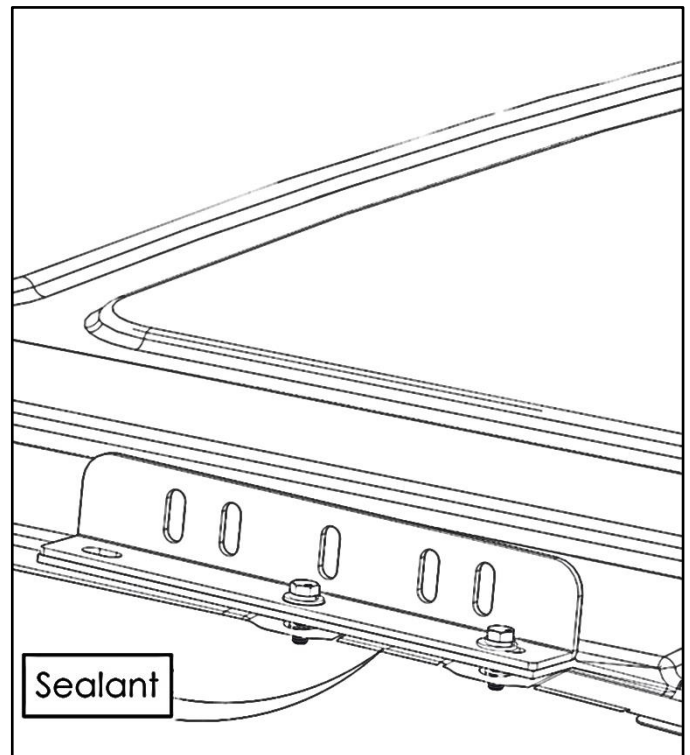
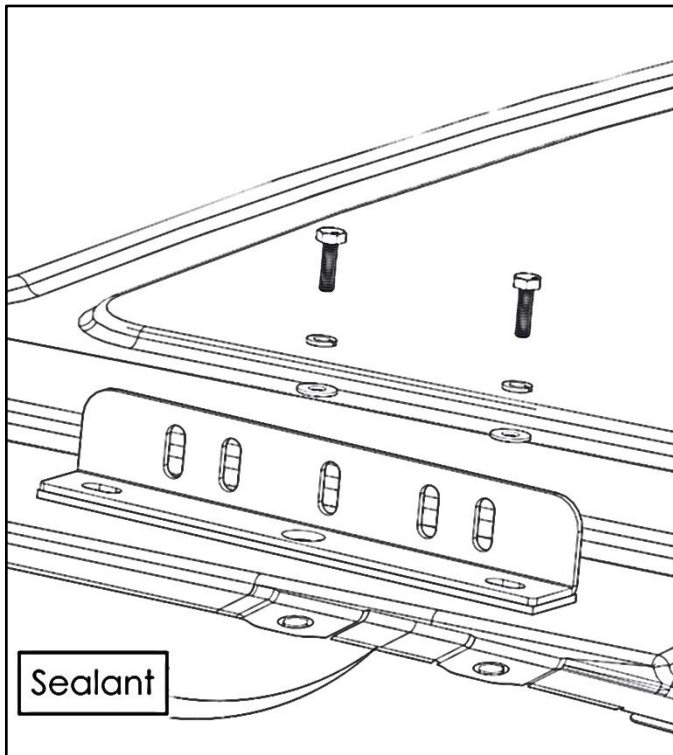


Step 2 – Mount Rear Foot Bracket

- In the rear of the van, locate the two rear most mounting locations from picture on page 4.
- Remove plastic to expose both threads in the roof.
- Place small angle bracket with flange to the center of van and offset to the front.
- Bolt into roof using two M6 x 22mm hex bolts, two 1/4" lock washers, and two 1/4" flat washers. (Driver Side Shown)

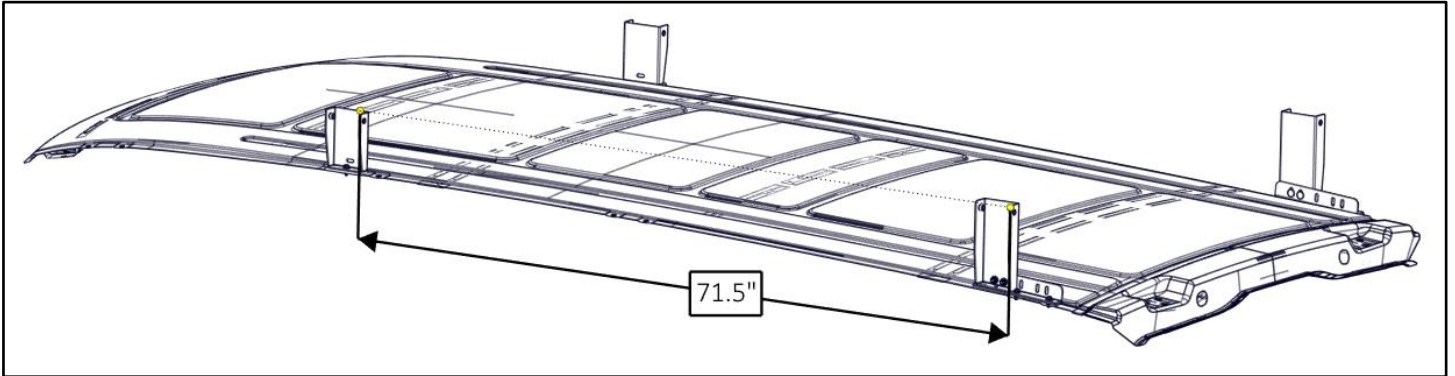
NOTE: Be sure to put sealant in and around the threads to ensure the roof will not leak in wet applications.

- Snug tighten, but allow movement.

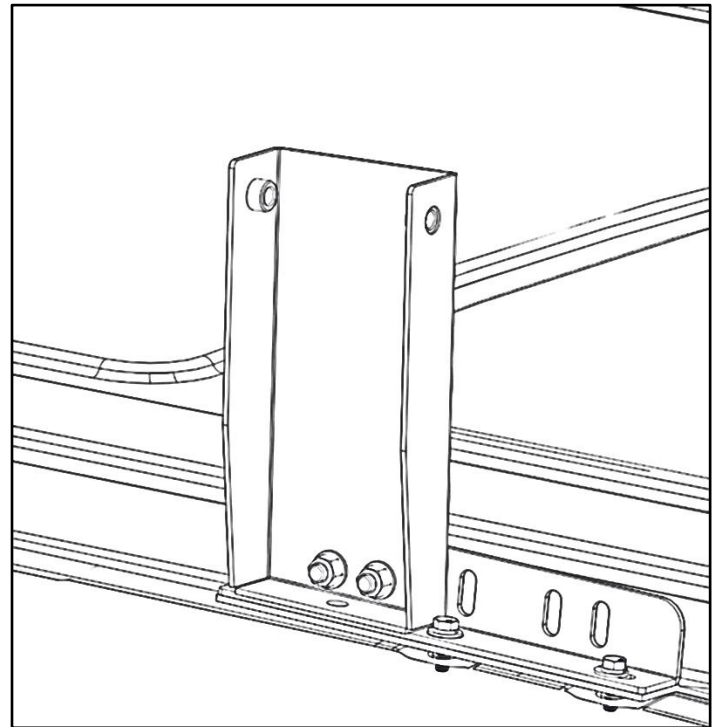
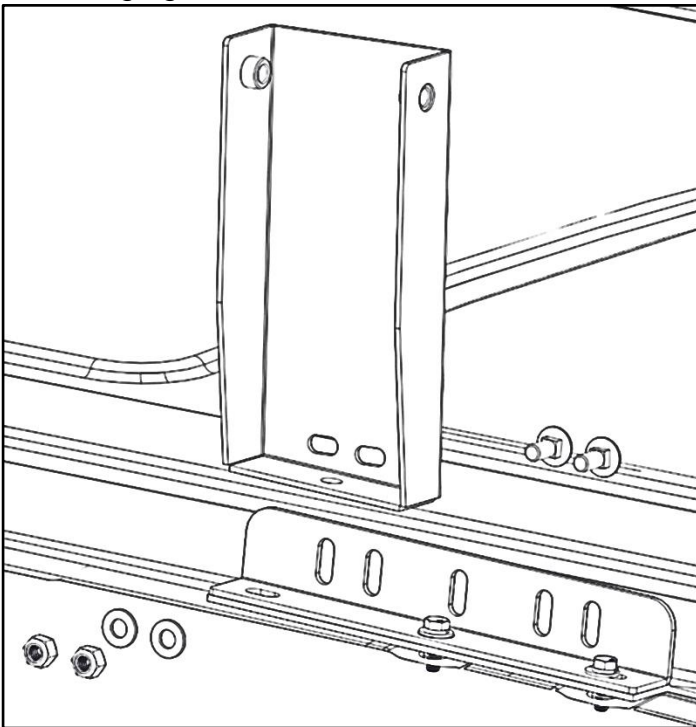


Step 3 – Rear Foot to Mount

- The distance between the front and rear foot should be approximately 71.5”.

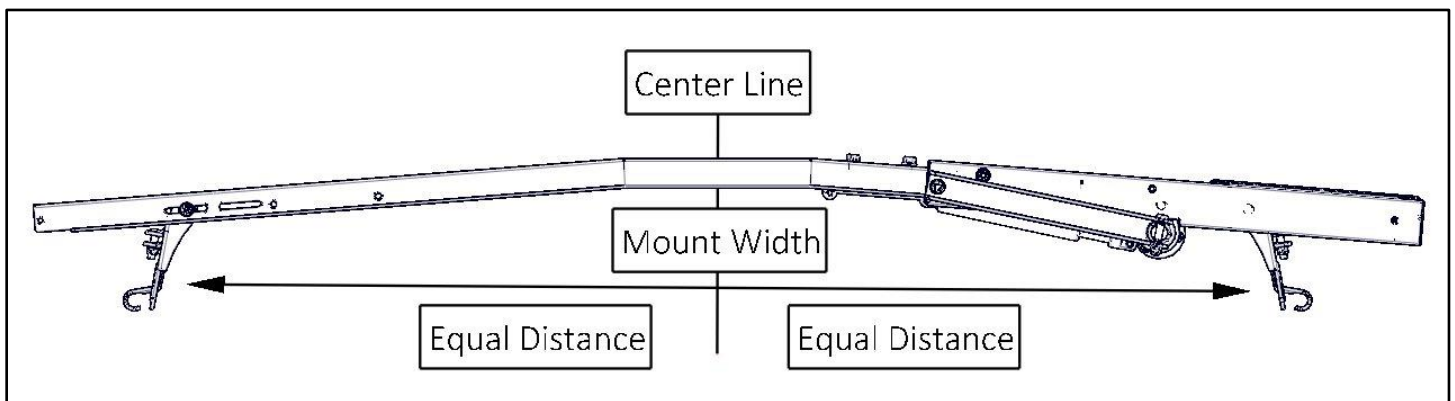
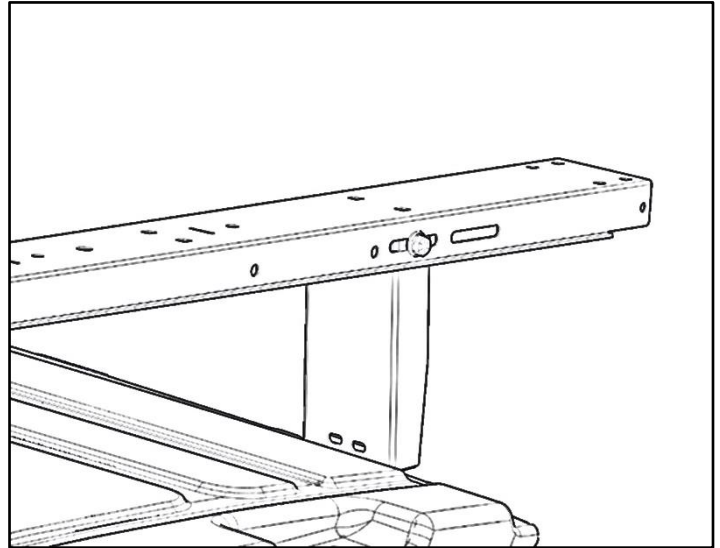
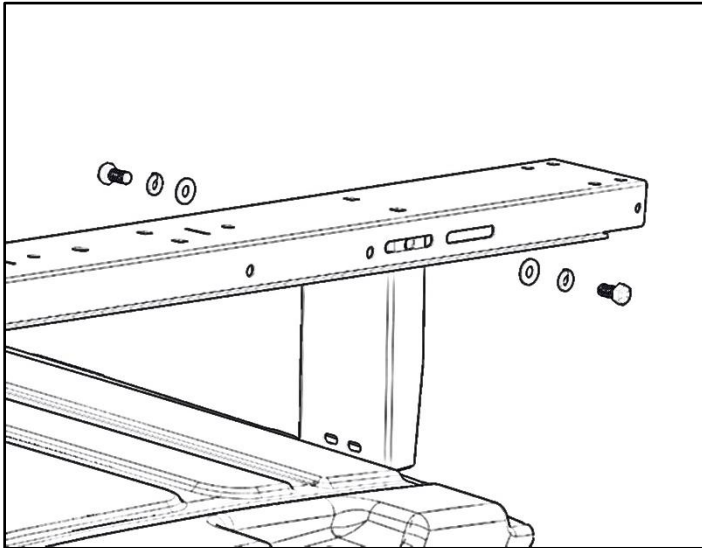


- **Be sure to identify the correct foot for each side of the van. The slope on the large foot will make the top of the foot flat. Use the foot that contours best with the slope of the roof on each side of the van.**
- The opening in the large foot assembly will open to the outside of the van as shown in the images.
- Place the correct large foot on top of the angle bracket. The drivers side is shown below.
- Mount large foot to angle bracket using two 5/16” carriage bolts, two 5/16” flat washers, and two 5/16” lock nuts.
- Snug tighten, but allow movement.



Step 4 – Installing Ladder Bows

- Place correct ladder bow on the previously mounted front and rear feet. **Be sure to have equal distance along the bow as shown below.**
- Bolt in place using 3/8" x 3/4" hex head, a 3/8" lock washer and a 3/8" flat washer.
- Follow ladder rack instructions from this point.



ONCE LADDER RACK IS FULLY INSTALLED, GO BACK AND TIGHTEN ALL HARDWARE.

INSTALLATION IS COMPLETE.