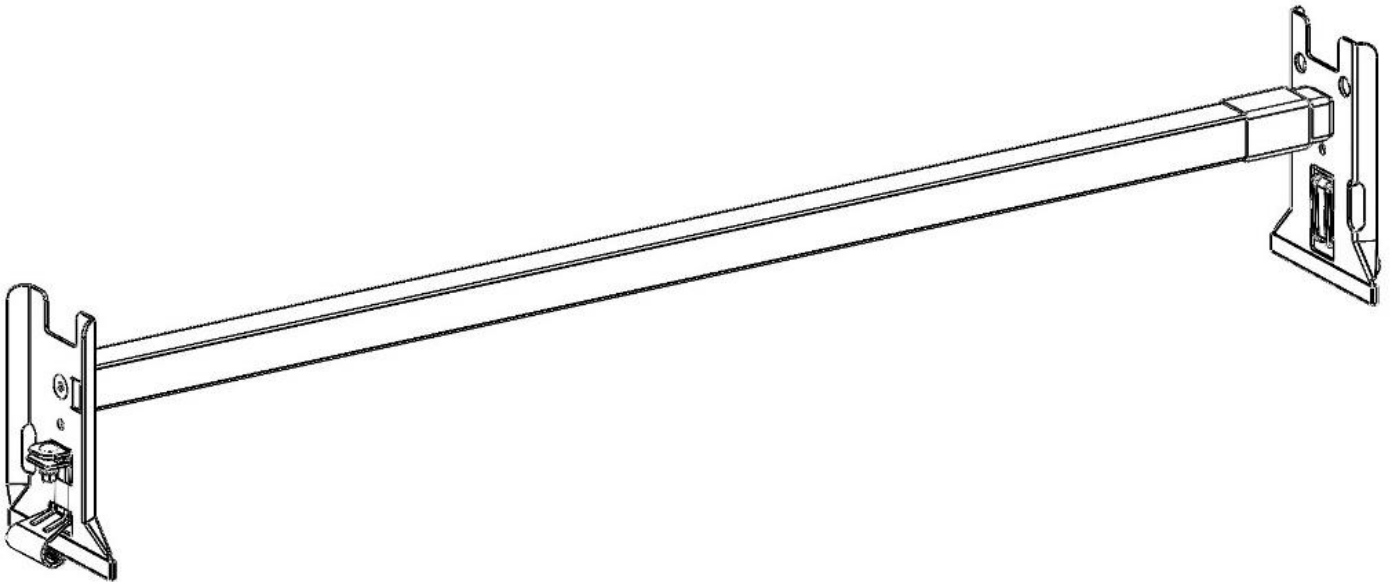


Holman

Instruction Guide 40824



Holman
Rancho Cordova, CA 95742
800-343-7486
InstallationSupport@Holman.com

PLEASE READ ALL INSTRUCTIONS AND WARNINGS PRIOR TO ASSEMBLING, INSTALLING, AND USING THIS PRODUCT.

Warning



Always check for wires, fuel tanks and lines, brake lines and other important vehicle functionality items prior to drilling and installing all products.



DO NOT EXCEED MANUFACTURERS WEIGHT CAPACITY FOR ROOF.

Table of Contents

Tools Needed.....	1
Before You Begin.....	1
Parts List.....	2
Hardware	3
Step 1 – Assemble Cross Bars	4
Step 2 – Prepare Mount Feet	4
Step 3 – Attach Mount Feet to Crossbar.....	5
Step 4 – Install Crossbar on Van Roof.....	5


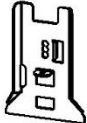
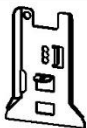


Tools Needed

1/2" Socket and Wrench	5/16" Allen Hex Wrench
3/16" Allen Hex Wrench	

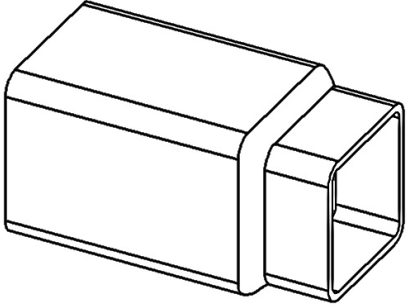

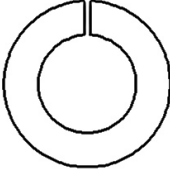
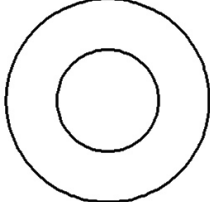
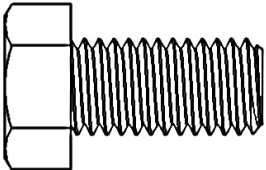
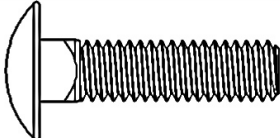
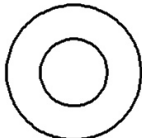

Before You Begin

- Read all instructions prior to assembling or installing any Holman product.
- **Always locate your installation locations prior to performing any work.**

Parts List

NO.	ITEM	PART NUMBER	DESCRIPTION	QTY.
1		13-02005	CROSSBAR TUBE LONG	1
2		11-02031	PASSENGER SIDE CROSSBAR FOOT ASSEMBLY	1
3		11-02030	DRIVER SIDE FOOT ASSEMBLY	1
4		13-02010	CROSSBAR TUBE SHORT	1
5		11-02085-R1	GM GUTTER CLAMP	2
6		18-40824	HARDWARE KIT	1

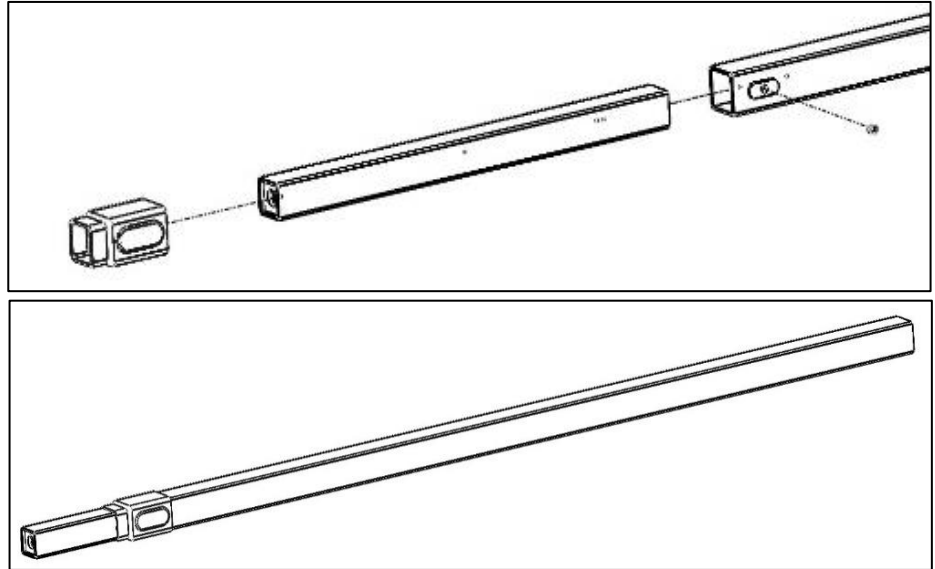
Hardware

ITEM	HARDWARE TO SCALE	PART NUMBER	DESCRIPTION	QTY.
1			PVC SLEEVE	1
2		0135144	3/8"-16 x 3/8" SET SCREW	1
3		1133741	1/2" Lock Washer	2
4		11137086	1/2" WASHER	2
5		11241227	1/2"-13 x 1" HEX HEAD BOLT	2
6		97000A522	5/16-18 X 1-1/4" CARRIAGE BOLT	2
7		33080	5/16" WASHER	2
8		37521	5/16"-18 LOCK NUT	2

DO NOT EXCEED MANUFACTURERS WEIGHT CAPACITY FOR ROOF!

Step 1 – Assemble Cross Bars

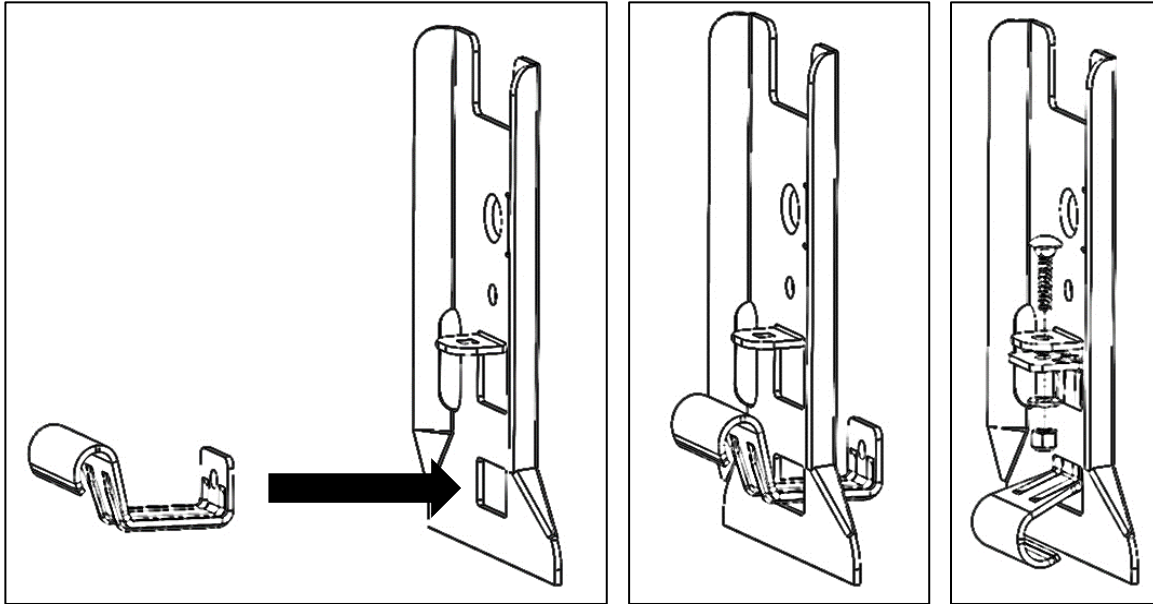
- Insert the short cross tube into the larger cross tube.
- Screw 3/8" x 3/8" set screw into the cross tube and snug tighten but allow for movement.
- Slide the PVC sleeve over the small cross tube until it covers the joint section and set screw.
- Once the rack is installed, this set screw will need tightened and the PVC sleeve repositioned.



Step 2 – Prepare Mount Feet

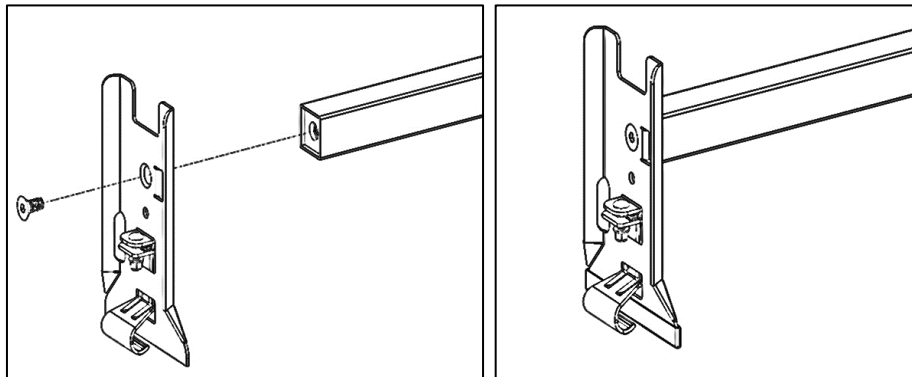
Note: This step can be completed before or after attaching mounting feet to the crossbar.

- Insert the gutter clamp into the feet. The clamp must be installed at an angle and rotated into place as shown below.
- LOOSELY attach each clamp to feet using a 5/16" x 1-1/4" carriage bolt, a 5/16" flat washer and a 5/16" lock nut as shown.
- **Do not tighten.**



Step 3 – Attach Mount Feet to Crossbar

- Attach each foot to the crossbar using a 1/2" x 1" counter sunk screw.
- Snug tighten.

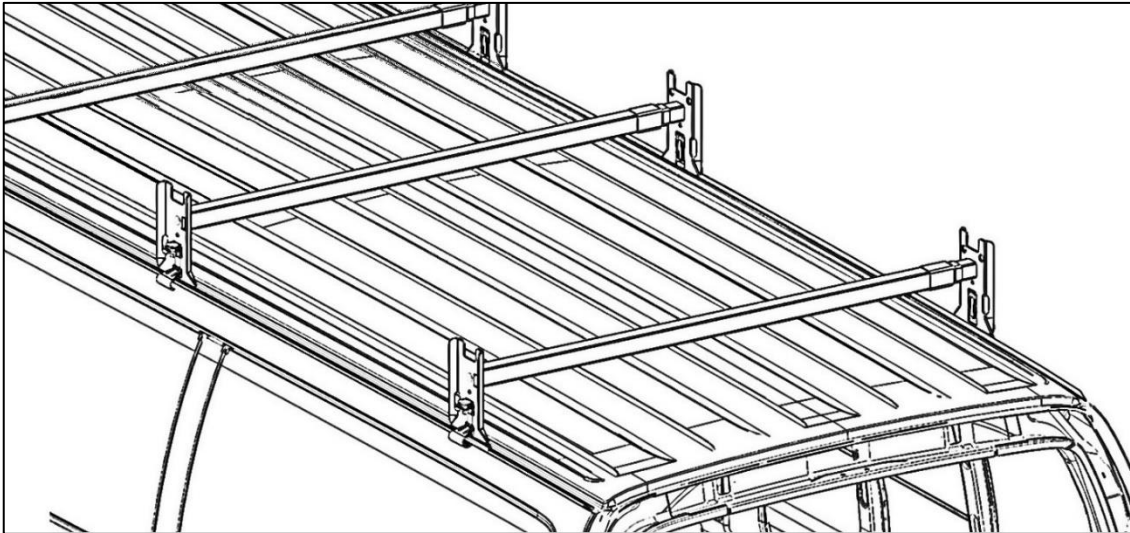


Step 4 – Install Crossbar on Van Roof

- Place rack on top of van, adjusting width of the cross tubes as needed.

NOTE: Be sure to place this crossbar in the middle of the front and rear crossbars included in 40823.

- Tighten the cross tube set screws and slide the PVC sleeve over the joint section and set screw once the rack is set to the desired width.
- Once the rack is placed in the desired location, tighten the 5/16" lock nut on each mount foot until rack is secure.
- Shake rack to test rack is fully secured. **It may be necessary to re-tighten mounting foot hardware.**



GO

BACK AND TIGHTEN ALL HARDWARE.

INSTALLATION IS COMPLETE.