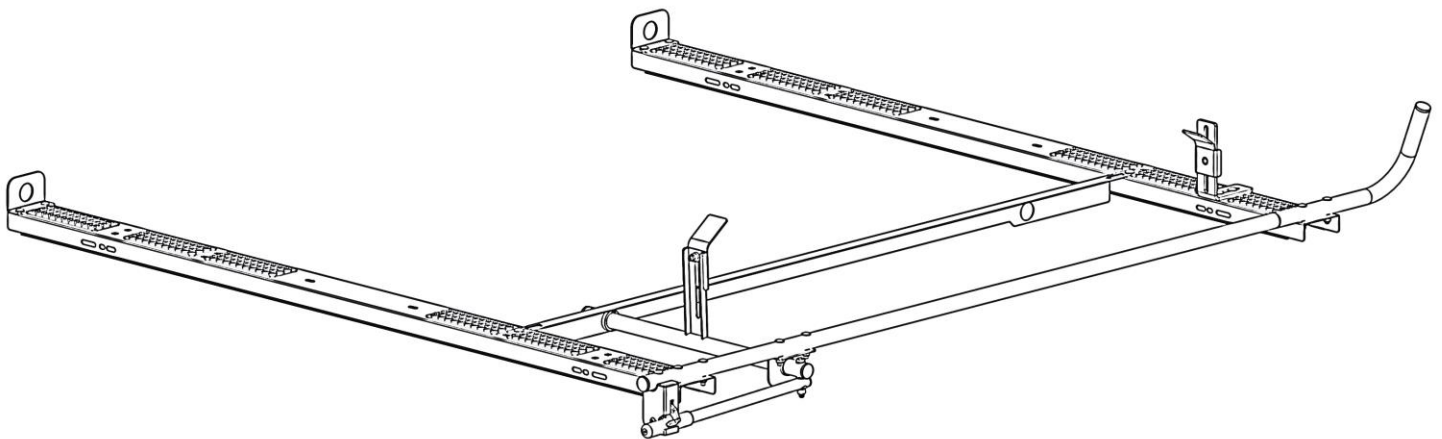


Holman

Installation Guide

4082L



Holman

Rancho Cordova, CA 95742

800-343-7486

InstallationSupport@Holman.com

PLEASE READ ALL INSTRUCTIONS AND WARNINGS PRIOR TO ASSEMBLING, INSTALLING, AND USING THIS PRODUCT.

Warning



Always check for wires, fuel tanks and lines, brake lines and other important vehicle functionality items prior to drilling and installing all products.

Tools Needed

1/2" Wrench and Socket	9/16" Wrench and Socket
------------------------	-------------------------

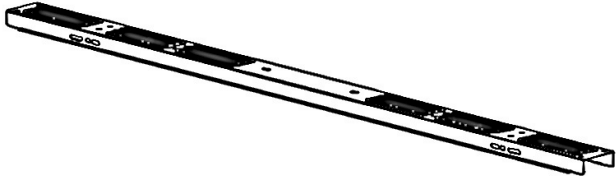

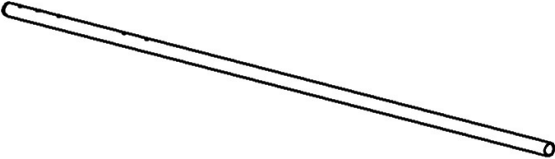


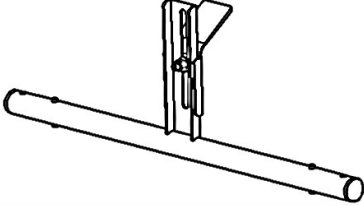
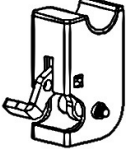
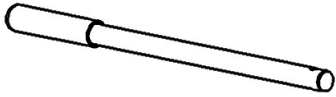
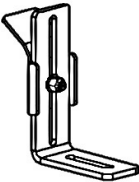
Table of Contents

Before You Begin	1
Parts List.....	2
Hardware	3
Step 1 – Install Ladder End Stops.....	4
Step 2 – Install Feet on Bows	4
Step 3 – Install Side Tube.....	5
Step 4 – Install Hanger Bracket	6
Step 5 – Mount Long Angle Bracket	7
Step 6 – Mount Handle	9
Step 7 – Mount Latch Assembly	10
Step 8 – Install Ladder Hook to Bow	10
Angle Pad Orientations and Locations	12
Clamp Mechanism Orientation and Angled Pad Positions.....	12
Examples of Ladder Clamps Firmly Against Ladder Rungs.....	12

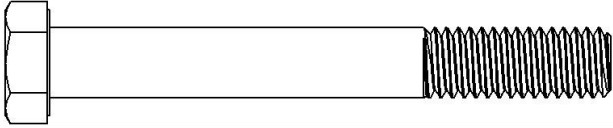
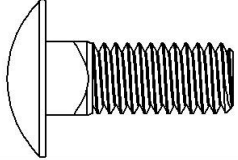

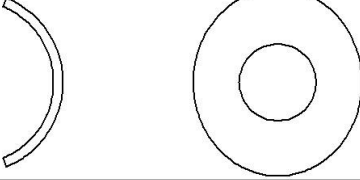



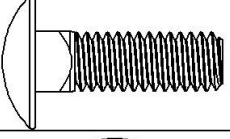
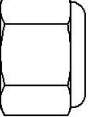

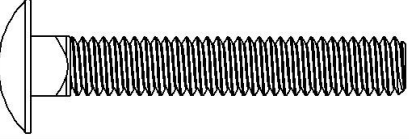
Before You Begin

- Read all instructions prior to assembling or installing any Holman product.
- Have vehicle specific mount kit installed on vehicle.
- Most times it is easier to assemble on top of the roof, after the mount kit has been installed.
- **DO NOT EXCEED MANUFACTURERS WEIGHT CAPACITY FOR ROOF.**
- **Be sure to adjust ladder clamps accordingly to secure ladder firmly to rack. To adjust, refer to Clamp and Lock adjustment guide.**

Parts List

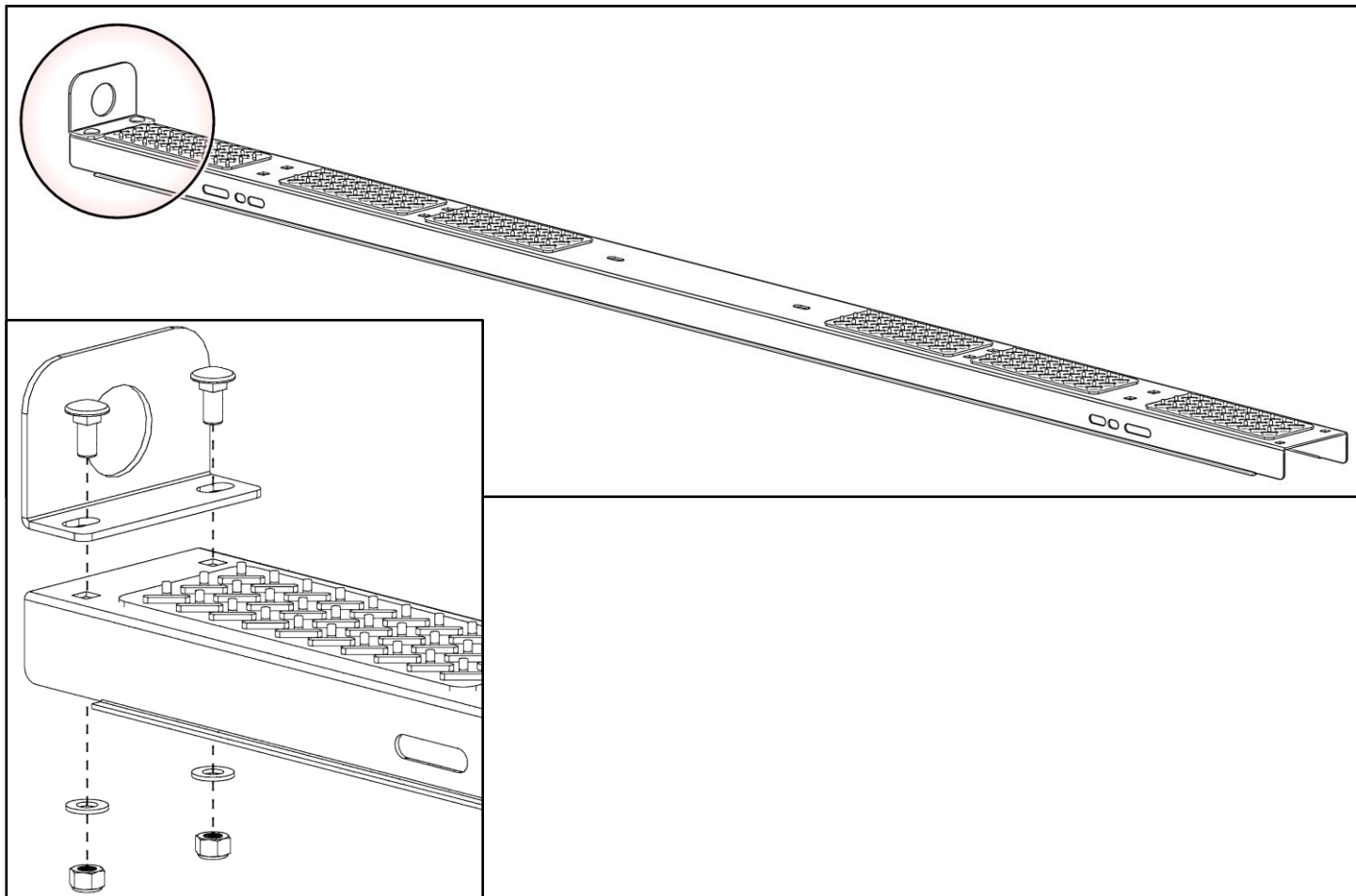
ITEM		PART NO.	DESCRIPTION	QTY.
A		4090L-11	Bow	2
B		11-03005	Long Angle L-Bracket	1
C		40800-51	Tube	1
D		40800-52-R	J-Tube	1
E		11-03027	Angle Brkt	3
F		13-03007	Rotating Clamp	1
G		40813-44	Latch Assembly	1
H		13-03008	Handle	1
J		13-03009	Ladder Stop	1
		18-4820L	Hardware Kit	1

Hardware

ITEM	HARDWARE TO SCALE	PART NUMBER	DESCRIPTION	QTY.
1		11241204	3/8"-16 X 3" HEX HEAD BOLT	1
2		0155062	3/8-16 X 1" CARRIAGE BOLT	4
3		76063	3/8" X 1/16" C 3/4" NYLON WASHER	1
4		91844A370	3/8" Curved Washer	1
5		0159723	3/8" FLAT WASHER	5
6		0169791	3/8"-16 LOCK NUT	5
7		21814	5/16"-18 X 2" CARRIAGE BOLT	7
8		21811	5/16-18 X 1" CARRIAGE BOLT	4
9		90126A030	5/16" FLAT WASHER	11
10		0169777	5/16"-18 NYLOC	11
11	 *NOT TO SCALE	-	Clamp Handle Bushing	2
12		SEALANT - 60ml	Self Leveling Adhesive Sealant	1

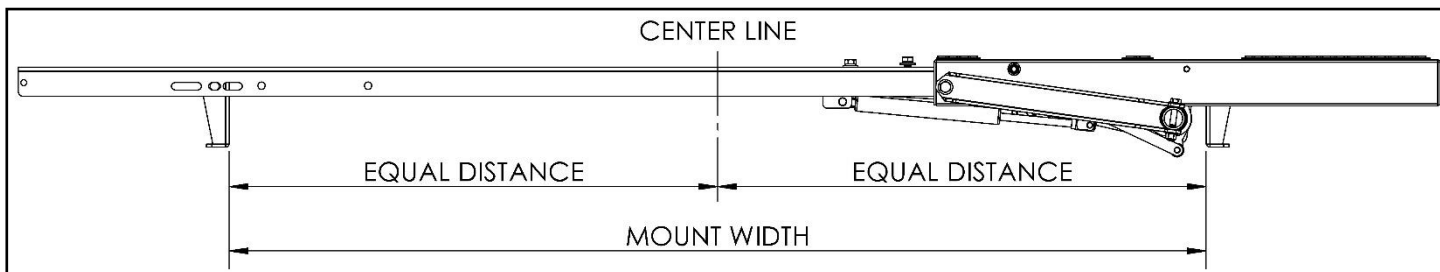
Step 1 – Install Ladder End Stops

- Skip this step if adding a driver side add on rack.
- Install ladder stops at the end of each bow using 5/16" x 1" carriage bolts, 5/16" flat washers and 5/16" lock nuts. The end with the ladder stops will be towards the driver side.

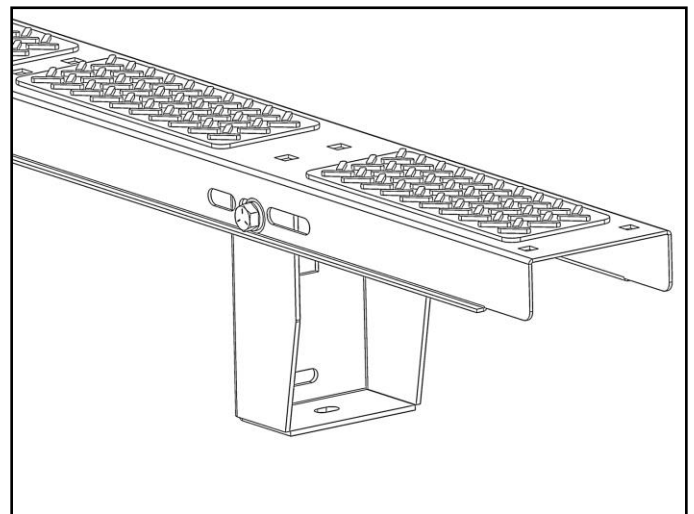
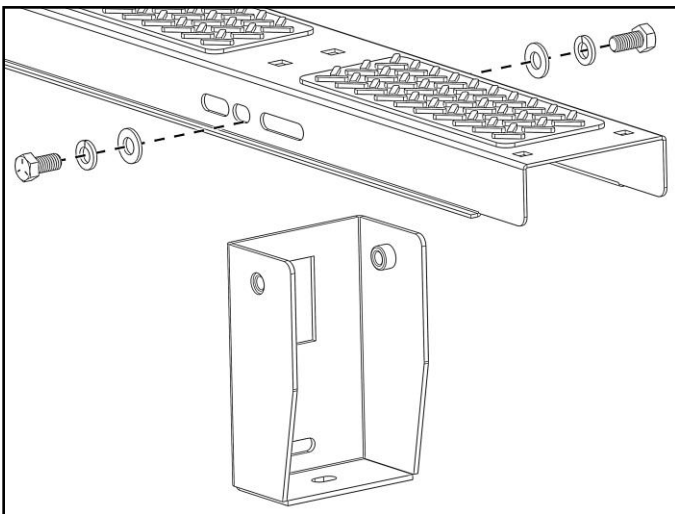
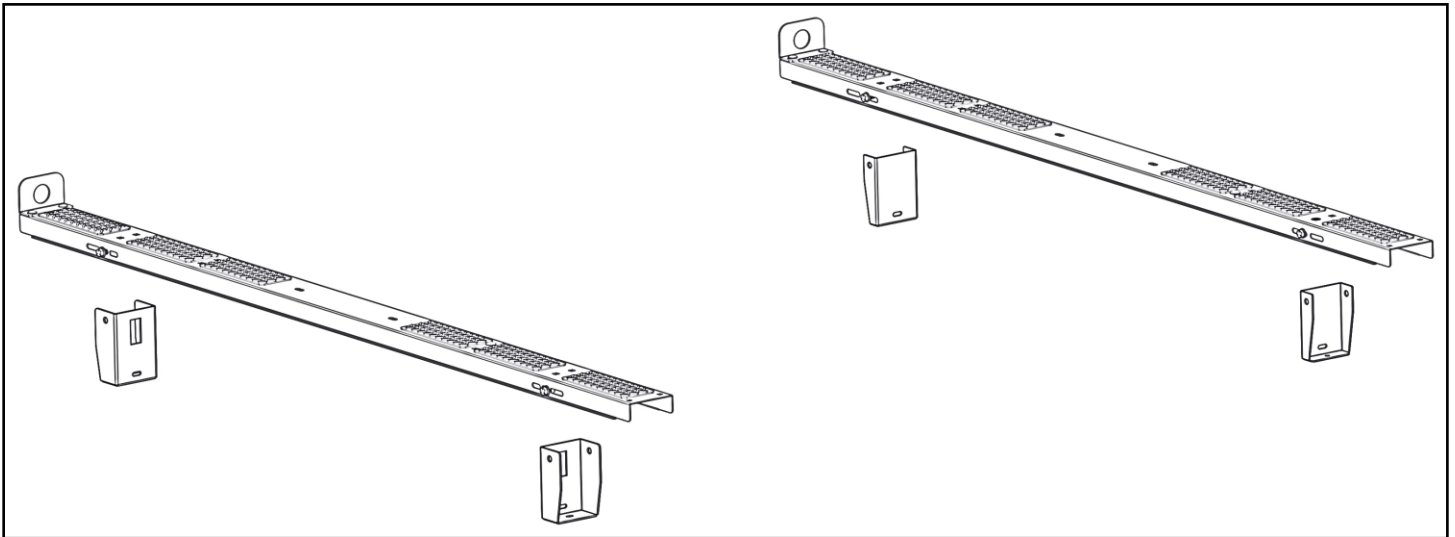


Step 2 – Install Feet on Bows

- Have the vehicle specific mounting installed on the vehicle.
- Place each bow on top of the feet in the orientation shown. The driver side of the bow has the ladder stops installed.
- Center the bow on the van and the feet.

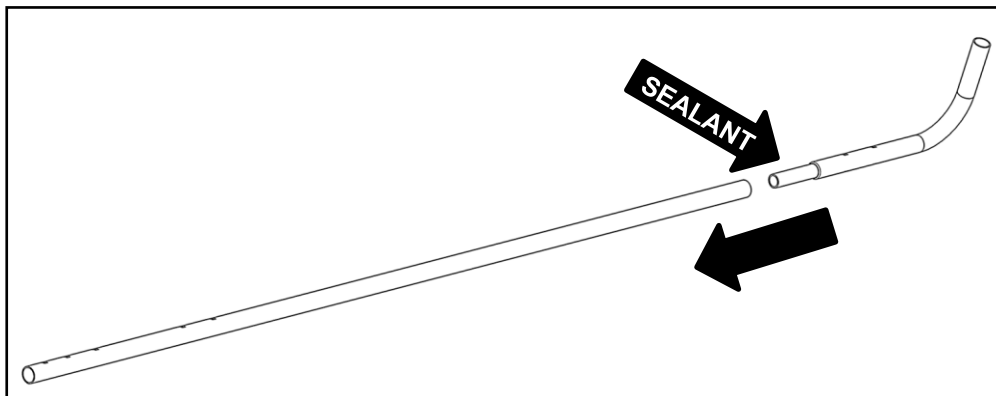


- Using the hardware from the mount kit, attach the bow to the feet. **Be sure the feet are using the same slots on each side of the bow.**

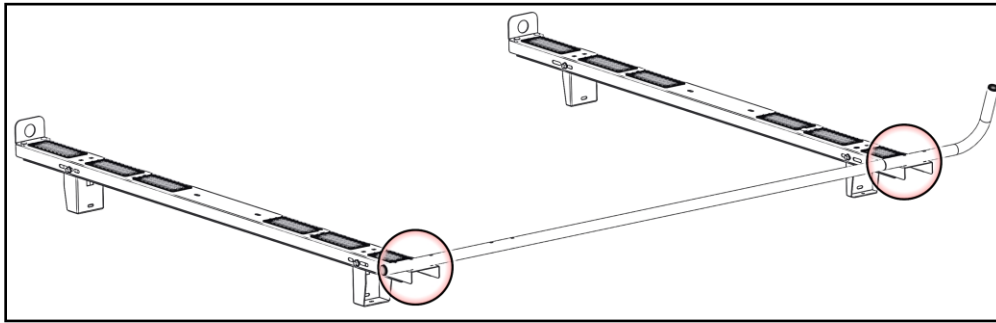


Step 3 – Install Side Tube

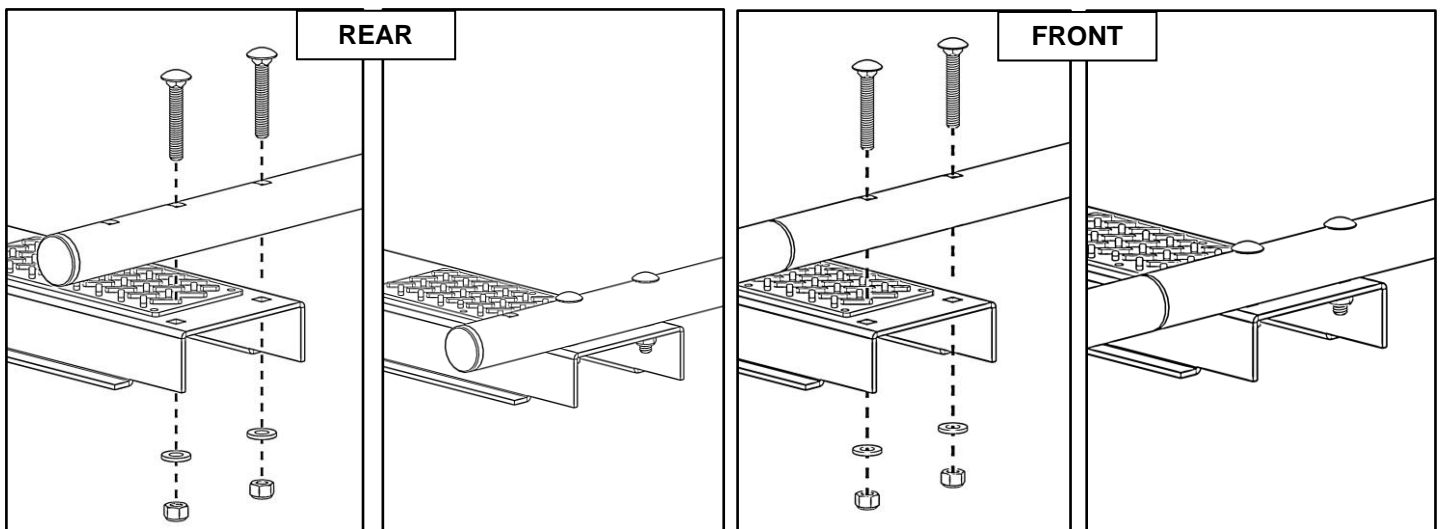
- Place sealant along the swage joint.
- Insert the J-Tube into the tube as shown.



- Place on top of the installed bows. Have the orientation of the J-Tube towards the front and to the outside of the vehicle.

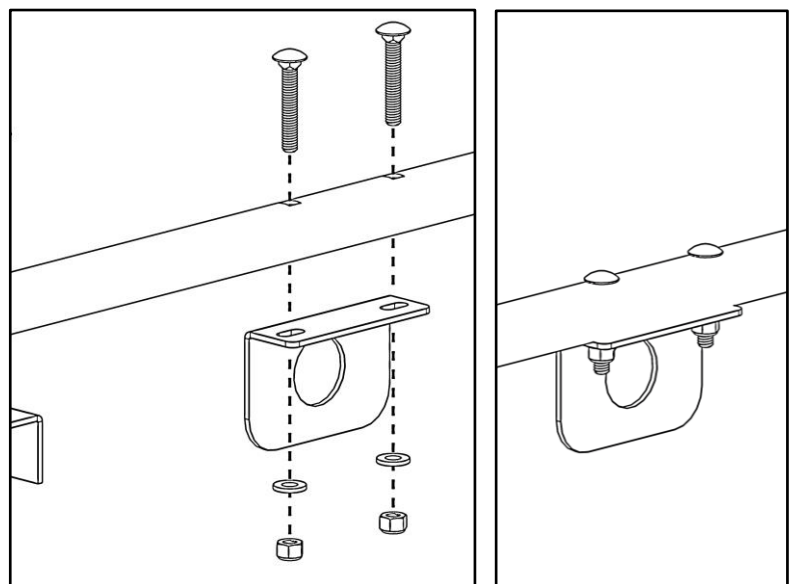


- Leave one square slot open at the rear of the tube.
- Mount tube assembly to the bows using 5/16" x 2" carriage bolts, 5/16" flat washers and 5/16" lock nuts.



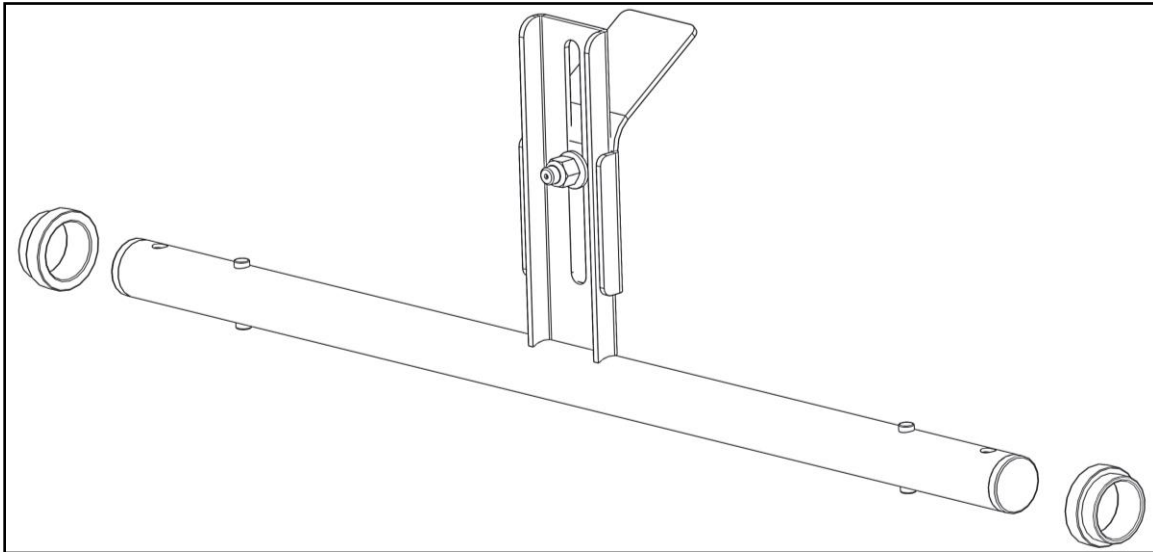
Step 4 – Install Hanger Bracket

- Mount the angle bracket to the underside of the tube assembly in the orientation shown using 5/16" x 2" carriage bolts, 5/16" flat washers and 5/16" lock nuts. **Be sure to have the angle bracket offset to the center of the vehicle.**

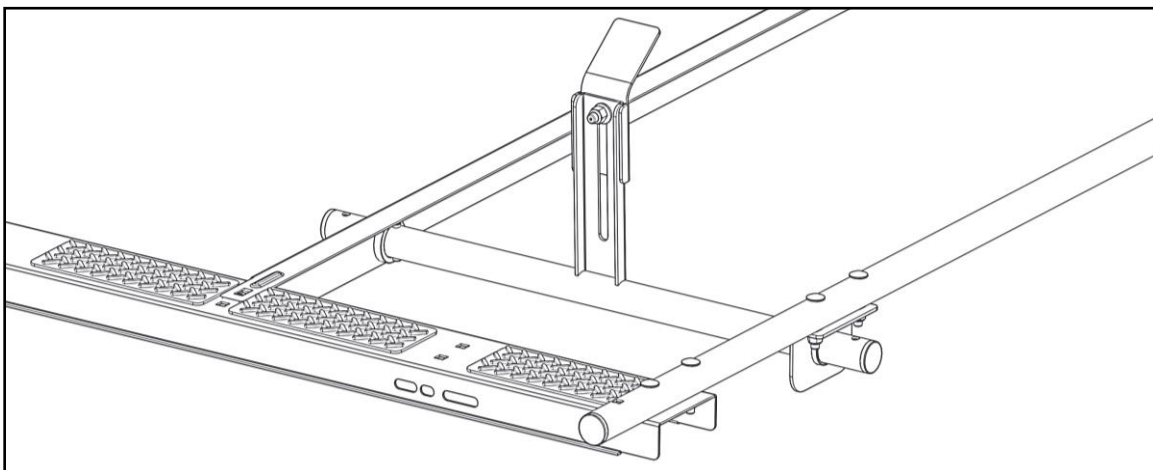
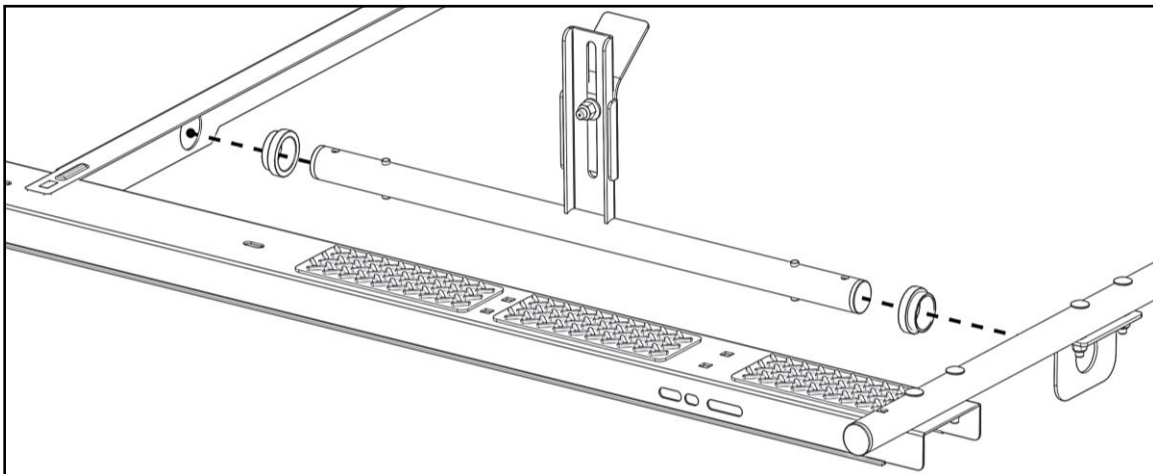


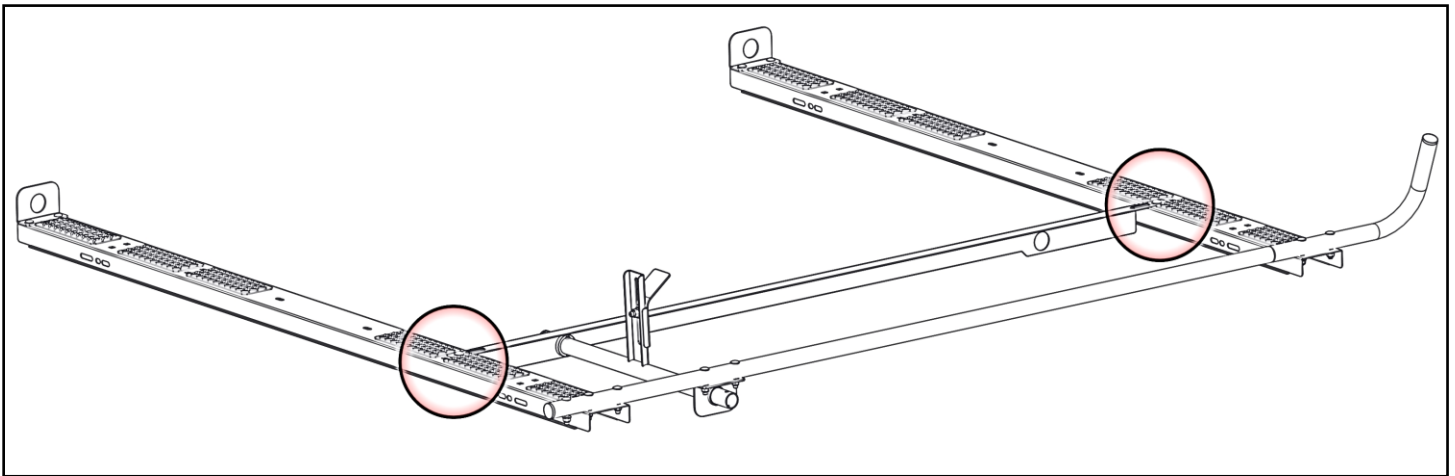
Step 5 – Mount Long Angle Bracket

- Place the plastic bushings on the rotating clamp as shown.

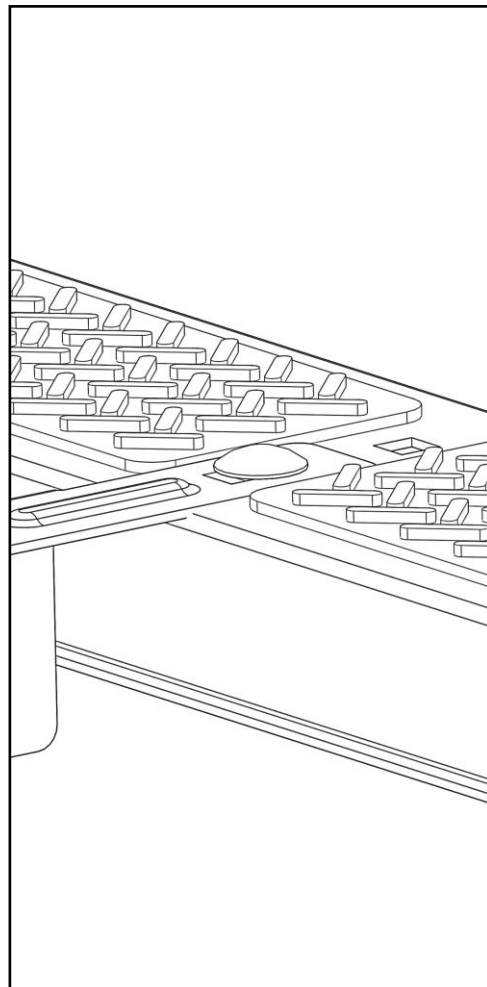
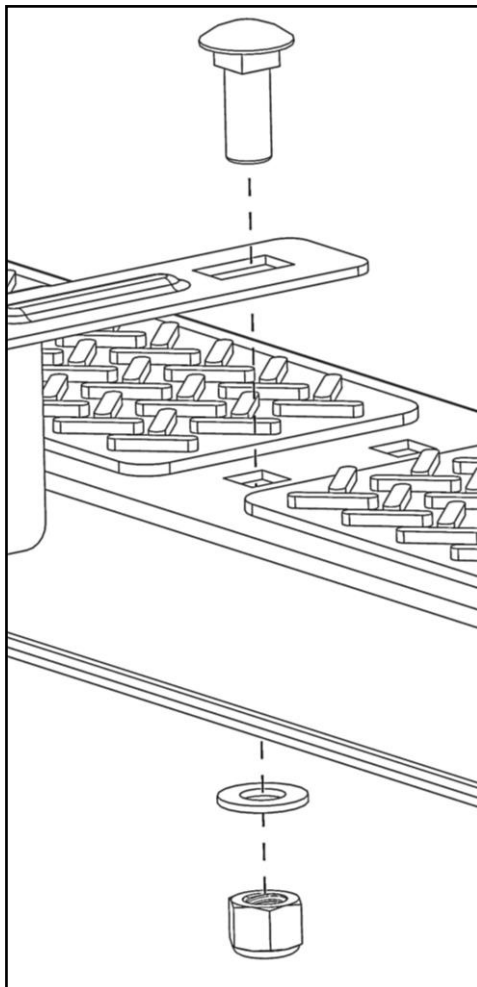


- Place the angle L-bracket on top of the bows as shown. **Be sure the bend offset is towards the center of the vehicle.**
- Insert the bushings into the long angle bracket and the angle bracket.



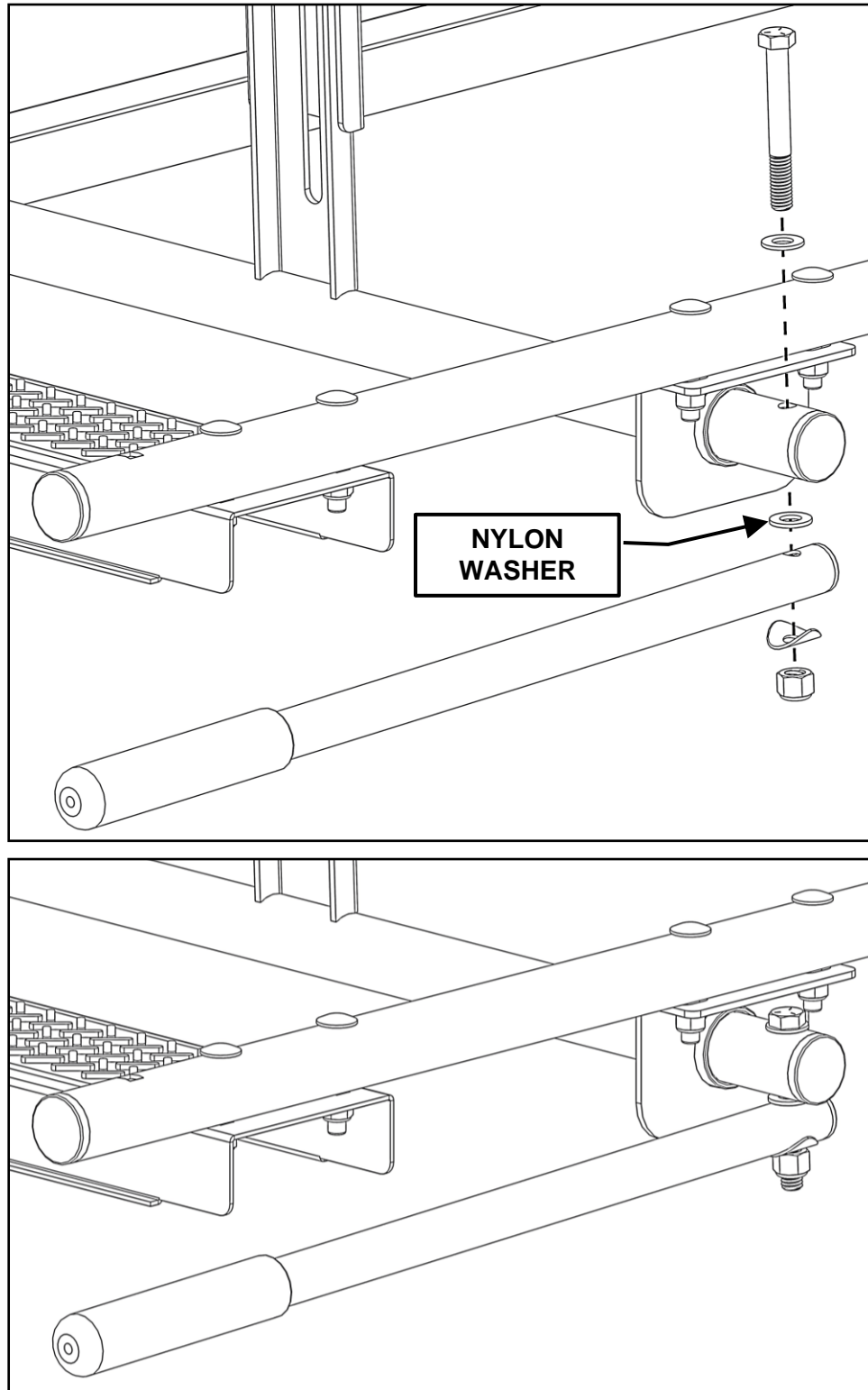


- Attach the long angle bracket to both bows in the orientation shown using 3/8" x 1" carriage bolts, 3/8" flat washers and 3/8" lock nuts.



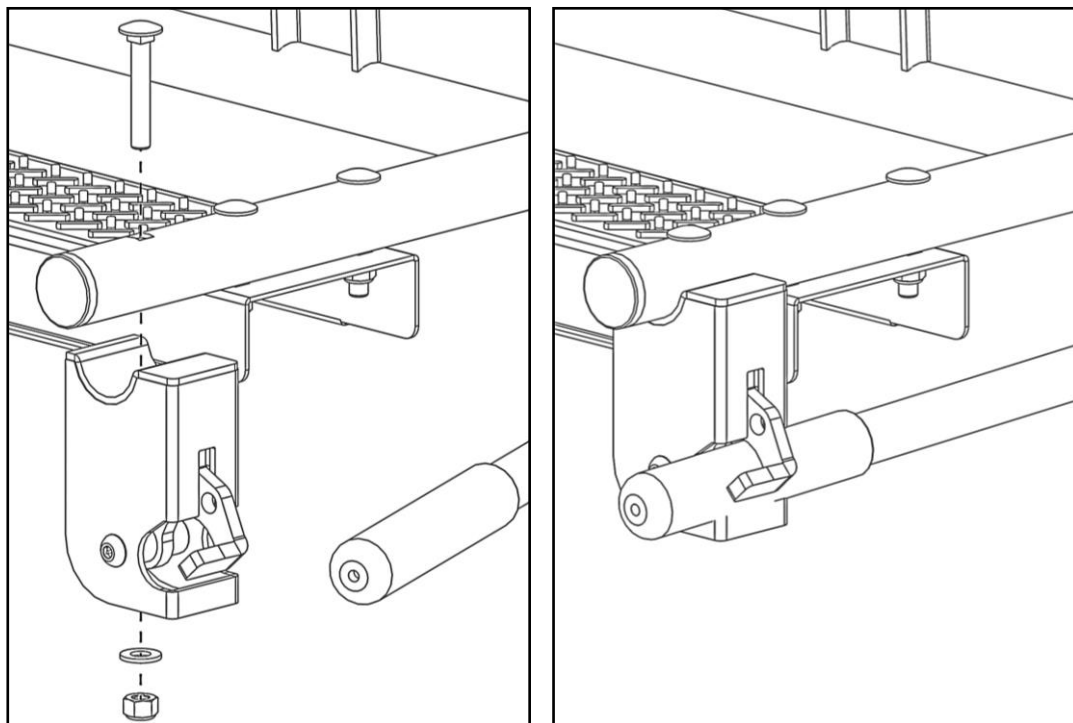
Step 6 – Mount Handle

- Bolt the handle to the rotating clamp in the order shown using a 3/8" x 3" hex head, a 3/8" flat washer, 3/8" nylon washer, 3/8" contour washer and a 3/8" lock nut. The nylon washer goes in between the rotating clamp and the handle. The contour washer goes against the handle.
- **DO NOT overtighten. Handle should rotate freely.**



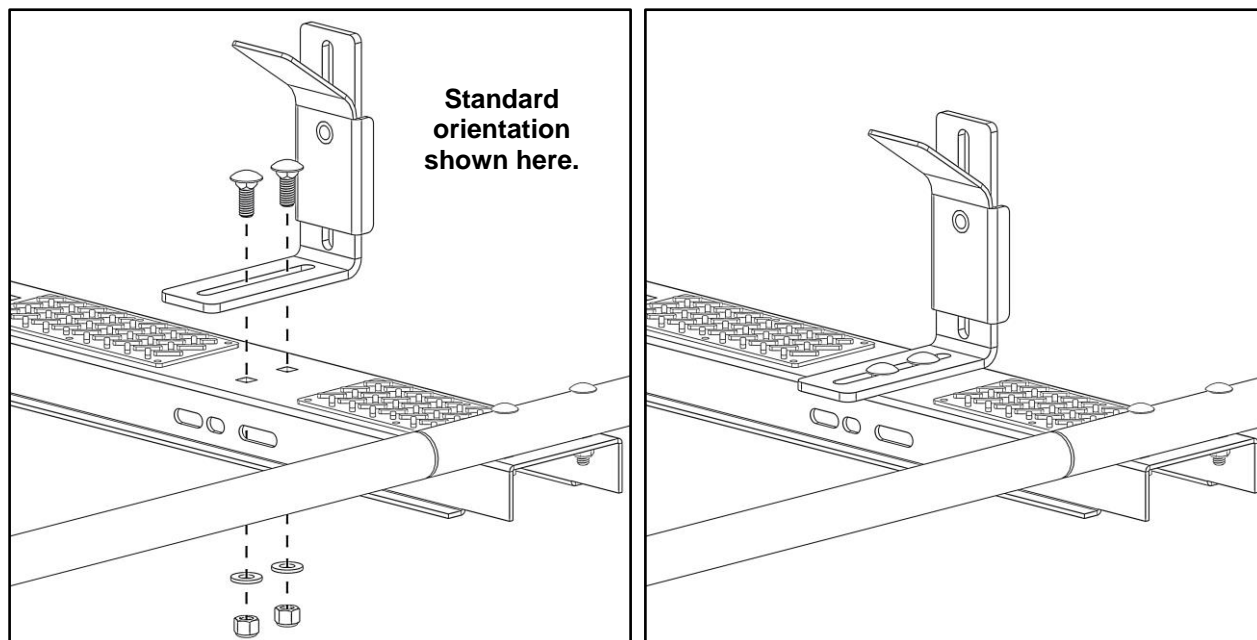
Step 7 – Mount Latch Assembly

- Attach the latch assembly to the rear most square hole in the tube using 5/16" x 2" carriage bolt, 5/16" flat washer and 5/16" lock nut.

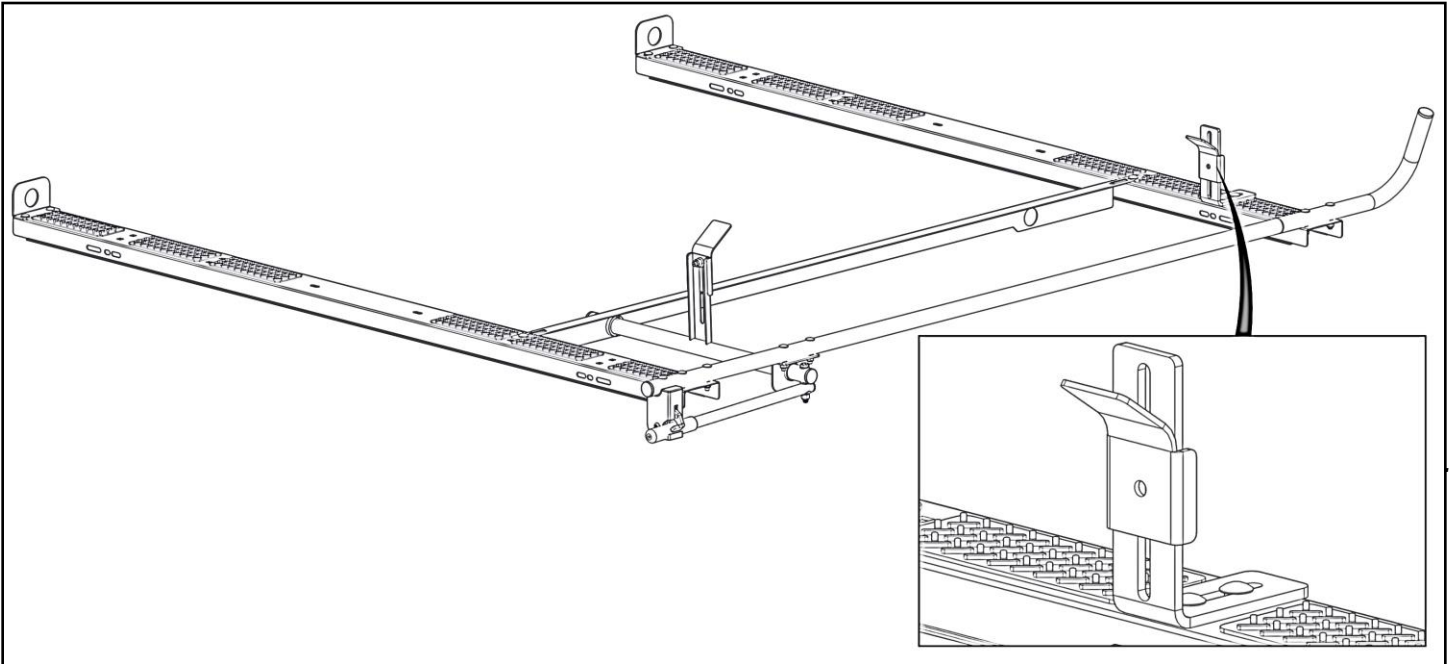


Step 8 – Install Ladder Hook to Bow

- Bolt the ladder stop to the front bow using two 3/8" x 1" carriage bolts, two 3/8" flat washers and two 3/8" lock nuts.
- Tighten.



- Adjust the ladder clamp to firmly secure the ladder being used on the ladder rack.

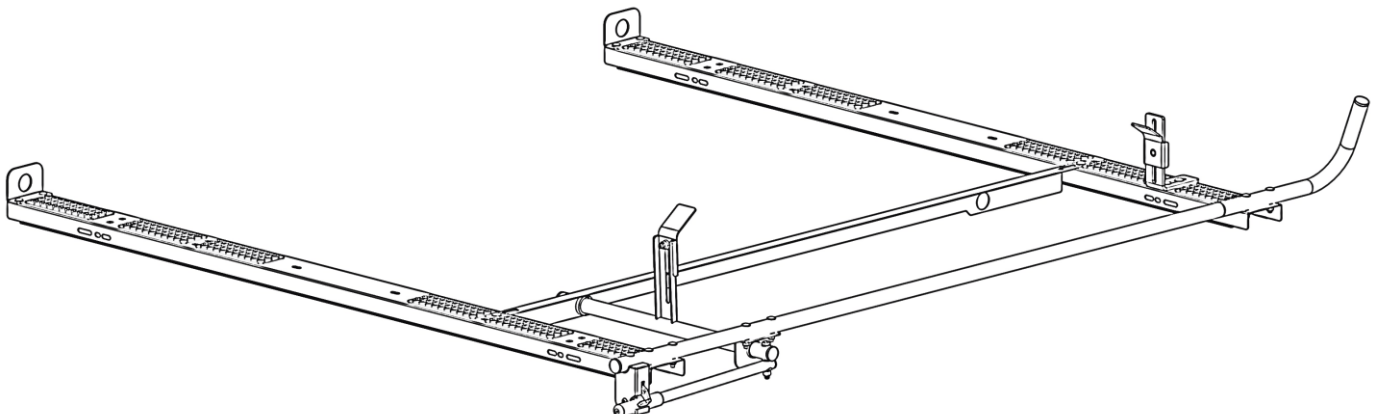


GO BACK AND ENSURE ALL HARDWARE IS TIGHT.

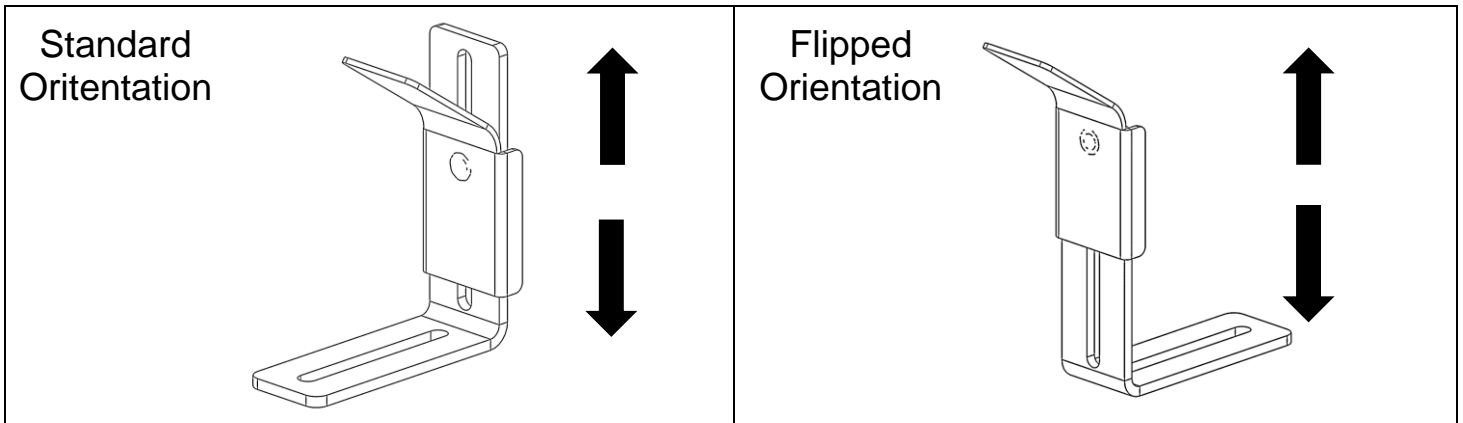
YOUR INSTALLATION IS NOW COMPLETE.

Refer to the Clamp and Lock Adjustment instructions to adjust the rack to your ladder.

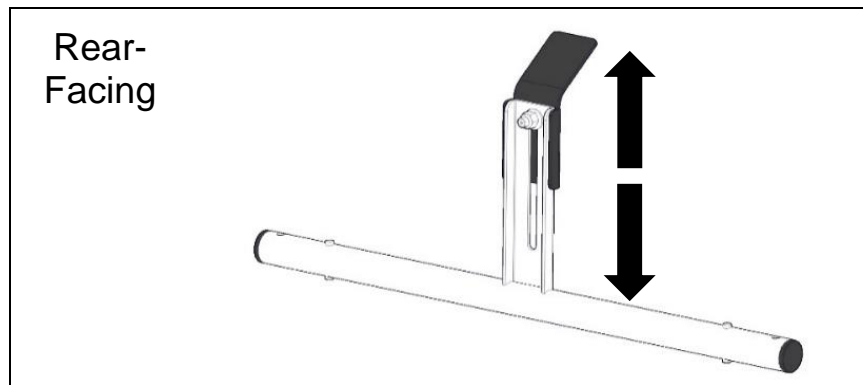
ALWAYS BE SURE LADDER IS SECURE PRIOR TO TRANSPORTATION.



Angle Pad Orientations and Locations

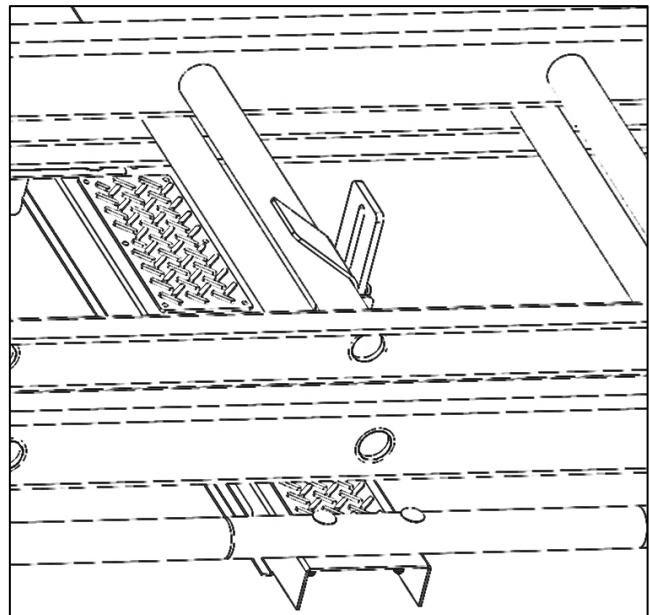
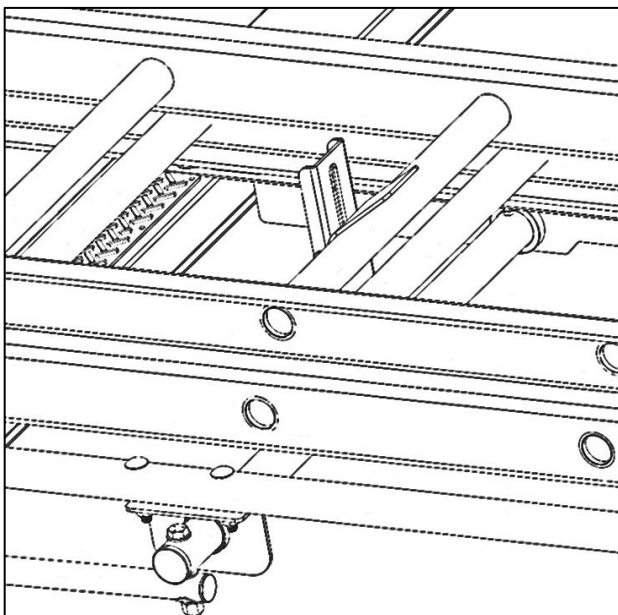


Clamp Mechanism Orientation and Angled Pad Positions



Examples of Ladder Clamps Firmly Against Ladder Rungs

- Be sure to position the ladder hook in a way so the hook clamps the ladder tight into place. A tight fit ensures the ladder cannot fall off the rack.



BE SURE THE LADDER HOOKS ARE FIRMLY AGAINST THE LADDER STEPS OR RUNGS.