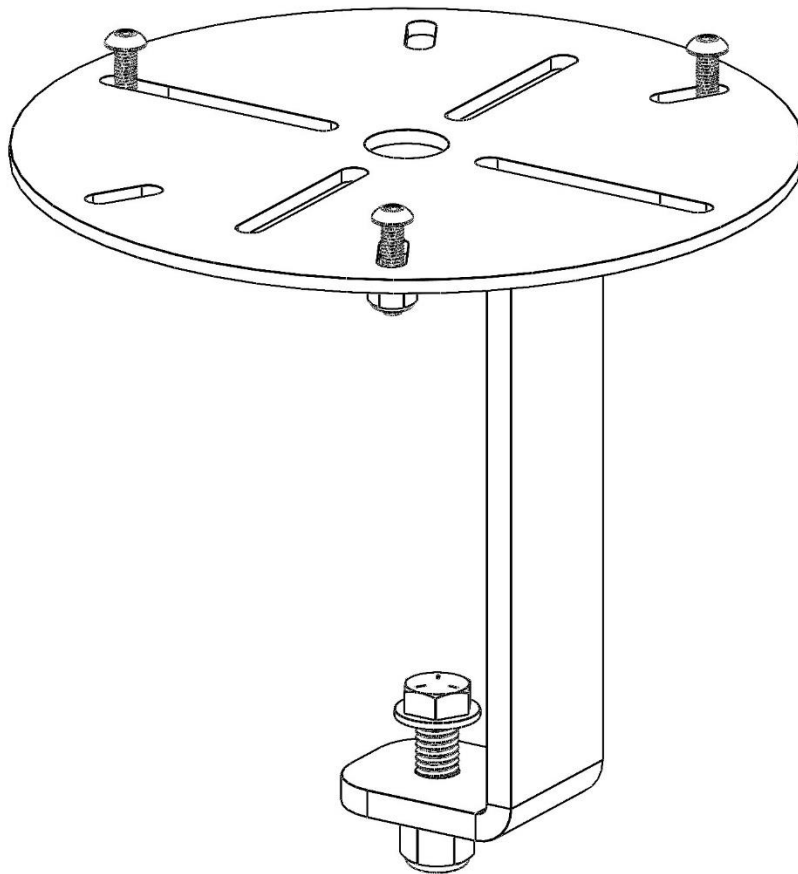


Holman

Instruction Guide 40893



Holman
Rancho Cordova, CA 95742
800-343-7486
InstallationSupport@Holman.com

PLEASE READ ALL INSTRUCTIONS AND WARNINGS PRIOR TO ASSEMBLING, INSTALLING, AND USING THIS PRODUCT.

Warning



Always check for wires, fuel tanks and lines, brake lines and other important vehicle functionality items prior to drilling and installing all products.

Table of Contents

Tools Needed 1

Before You Begin 1

Parts List..... 2

Hardware 2

Step 1 – Install Light Mount 3

Tools Needed

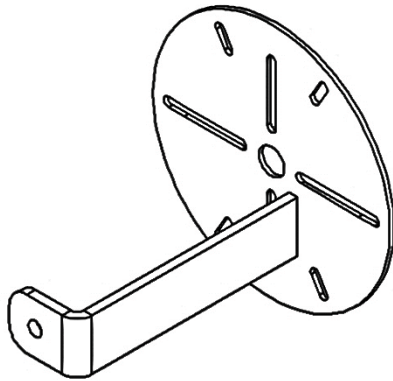
9/16" Socket and Wrench	1/8" Hex Key Wench
3/8" Wrench	

Before You Begin

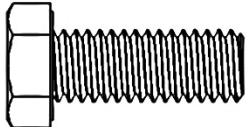
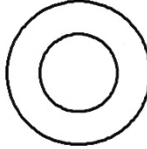


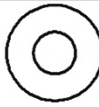

- Read all instructions prior to assembling or installing any Holman product.
- **Always locate your installation locations prior to performing any work.**

NOTE: This light mount is compatible with multiple different racks and there for the rack cross bar shown in the instructions may vary from some applications.

Parts List

NO.	ITEM	PART NUMBER	DESCRIPTION	QTY.
1		101273	40893 WELDMENT	1
2		18-00049	40893 HARDWARE KIT	1

Hardware

ITEM	HARDWARE TO SCALE	PART NUMBER	DESCRIPTION	QTY.
1		70105	3/8-16 X 1" HEX HEAD BOLT	1
2		0159723	3/8" FLAT WASHER	2
3		0169791	3/8"-16 LOCK NUT	1
4		91306A276	10-32 X 1" LONG BUTTON HEAD SCREW	3
5		33074	#10 FLAT WASHER	3
6		37015	10-32 NYLOC NUT	3

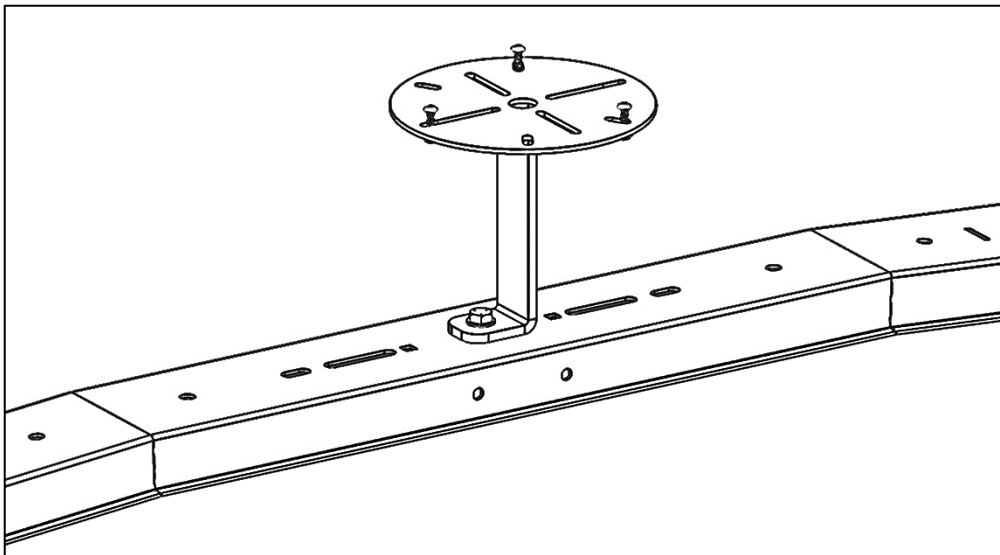
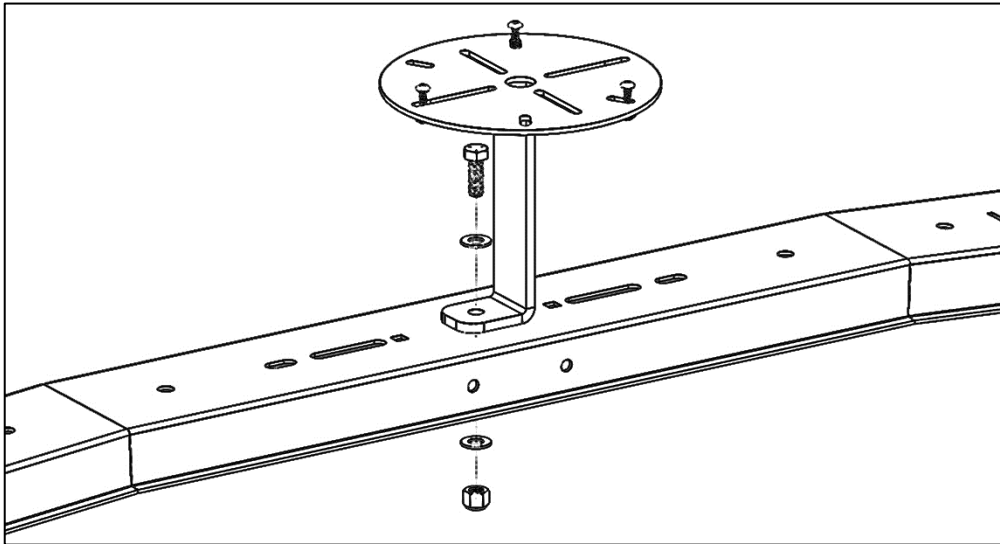
DO NOT EXCEED MANUFACTURERS WEIGHT CAPACITY FOR ROOF!

Step 1 – Install Light Mount

- Light Mount can be mounted in any of the slots on top of the flat section of the cross bow, front or rear depending on preference. Use the #10 hardware provided to mount your light to the bracket.

NOTE: if 6" lockable conduit carrier is used, light mount must be mounted with flange toward center using outside slot. This will allow for clearance for drop down and maintain clearance for 6" tube.

- Mount light mount to cross bow using one 3/8" x 1" hex bolt, two 3/8" flat washers, and one 3/8" lock nut as shown below.



GO BACK AND TIGHTEN ALL HARDWARE.

INSTALLATION IS COMPLETE.