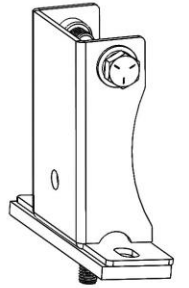
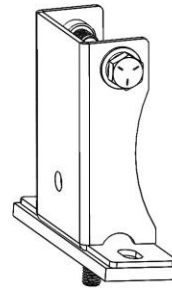
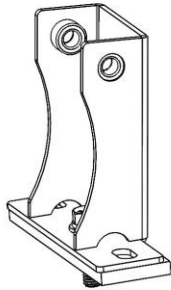
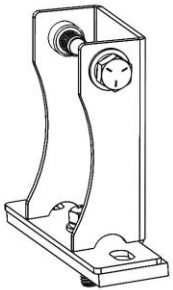


# Holman

---

## Instruction Guide 4089D

---



---

Holman  
Rancho Cordova, CA 95742  
800-343-7486  
[InstallationSupport@holman.com](mailto:InstallationSupport@holman.com)

---

## PLEASE READ ALL INSTRUCTIONS AND WARNINGS PRIOR TO ASSEMBLING, INSTALLING, AND USING THIS PRODUCT.

---

### Warning



Always check for wires, fuel tanks and lines, brake lines and other important vehicle functionality items prior to drilling and installing all products.



**DO NOT EXCEED MANUFACTURERS WEIGHT CAPACITY FOR ROOF.**

---

### Tools Needed

9/16" Socket and Wrench	9/16" Box Wrench
10mm, 13mm Sockets and Wrench	13mm Box Wrench

---

### Table of Contents

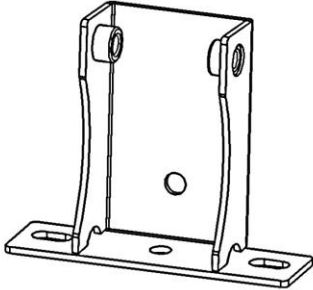
Before You Begin .....	1
Parts .....	2
Hardware .....	2
Transit Connect Installation .....	4
ProMaster City Installation .....	5
NV200/City Express Installation .....	7
Camper Shell Installation .....	8

---


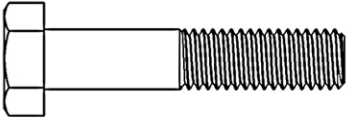
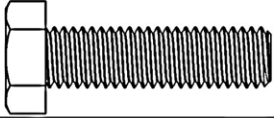

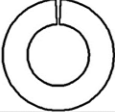
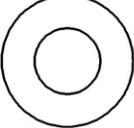
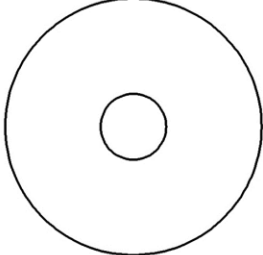
### Before You Begin

- Read all instructions prior to assembling or installing any Holman product.
  - **Always locate your installation locations prior to performing any work.**
  - **Be sure to put sealant around all threads entering cargo area and between the rubber spacer and roof of vehicle to prevent water from leaking into cargo area.**
  - **These instructions are for the mounting kit only. Refer to the instructions that came with the rack for help with rack assembly.**
-

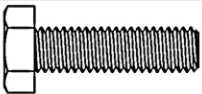

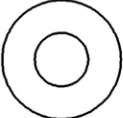
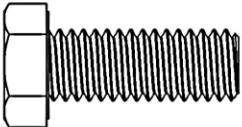
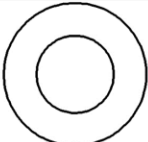
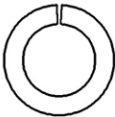
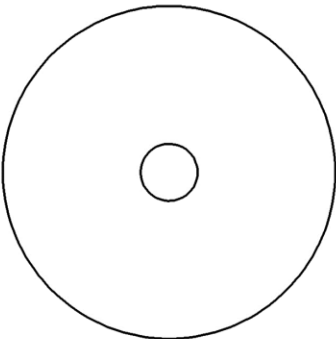
## Parts

NO.	ITEM	PART NUMBER	DESCRIPTION	QTY.
1		4089A-T0-004	COMPACT VAN FOOT	4
2		18-4089D	BOLT KIT-PRO III-COMPACT VANS & CAPS	1

## Hardware

ITEM	HARDWARE TO SCALE	PART NUMBER	DESCRIPTION	QTY.
1	 1:2 Scale		3 HOLE RUBBER PAD	4
2			M8-1.25 X 40mm HEX HEAD BOLT	8
3		11552488	M8-1.25 X 30MM HEX HEAD BOLT	4
4		11511017	M8-1.25 NYLON NUT	8
5		1133620	5/16" LOCKING WASHER	4
6		33080	5/16" WASHER	8
7		33216	5/16" FENDER WASHER	8

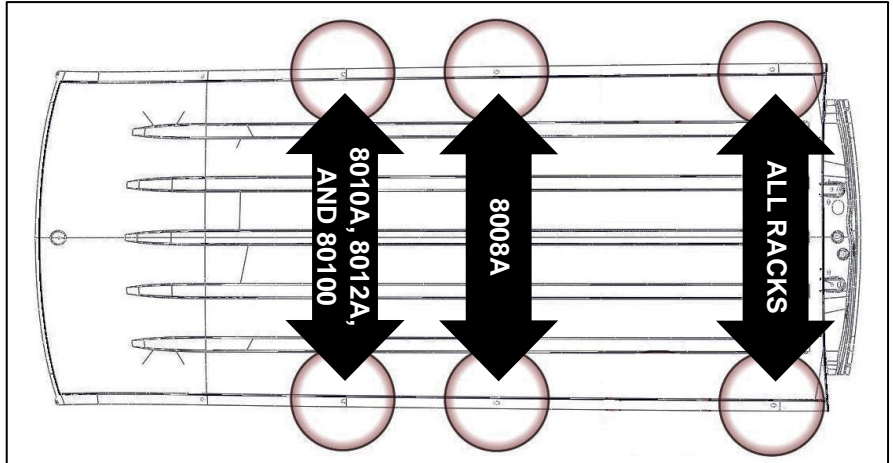
## Hardware (Continued)

ITEM	HARDWARE TO SCALE	PART NUMBER	DESCRIPTION	QTY.
8		38560	M6 X 1.0 X 22MM HEX HEAD BOLT	8
9		1133618	1/4"-20 LOCK WASHER	8
10		33078	1/4" WASHER	8
11		70105	3/8-16 X 1" HEX HEAD BOLT	8
12		1133082	3/8" WASHER	8
13		1133622	3/8" LOCK WASHER	8
14		-	1/8" X 5/16" X 1-3/4" RUBBER WASHER	8
15		-	SELF-LEVELING ADHESIVE SEALANT	1

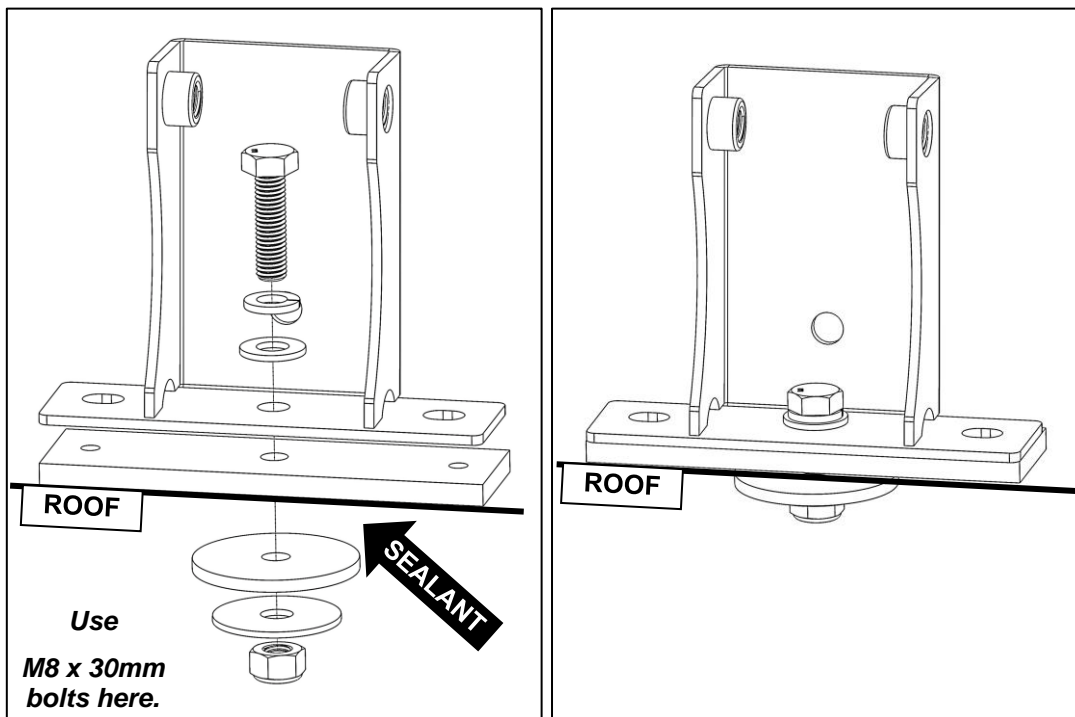
## DO NOT EXCEED MANUFACTURERS WEIGHT CAPACITY FOR ROOF.

### Transit Connect Installation

- Locate the plugs on the roof of the van in the locations shown.
- Remove the plugs from the roof in the **FOUR** desired mounting locations to expose mounting slots. **ONLY REMOVE PLUGS FROM FOUR INTENDED INSTALLATION LOCATIONS.**



- Apply sealant around mounting slots in the roof.
- Place the three-hole rubber pad on top of the van with the center hole over the mounting location. **Be sure the sealant is applied to prevent water from leaking into the cargo area.**
- Place the foot on top of the three-hole rubber pad with the cup of the foot facing outwards.
- Using a M8 x 30mm hex head, 5/16" flat washer, bolt through bottom-center hole in foot, center of three-hole pad, and then hole in top of roof. Inside roof, bolt through round rubber washer, 5/16" fender washer, and M8 lock nut. **The roof sandwiches between rubber pad and rubber washer.**

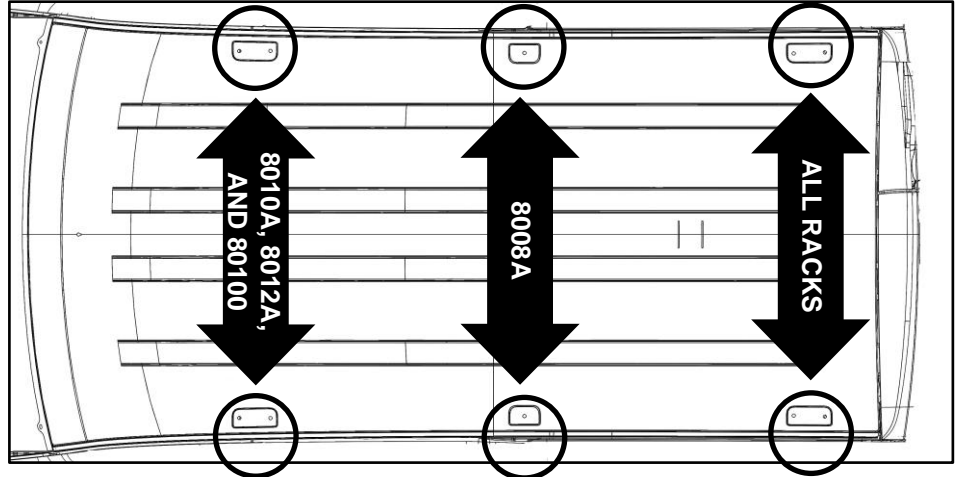


- Snug tighten, but allow movement.
- Repeat for remaining three installation locations.

**Mount rack to feet per instructions that came with rack.**

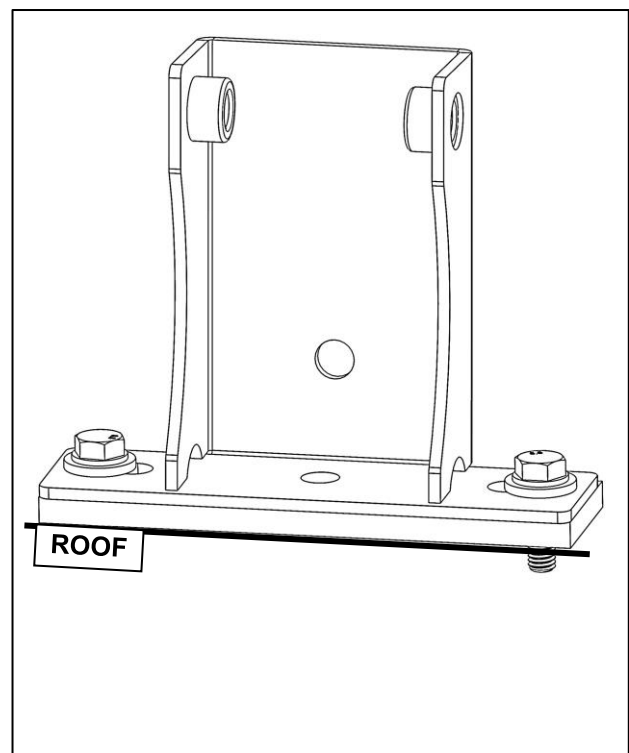
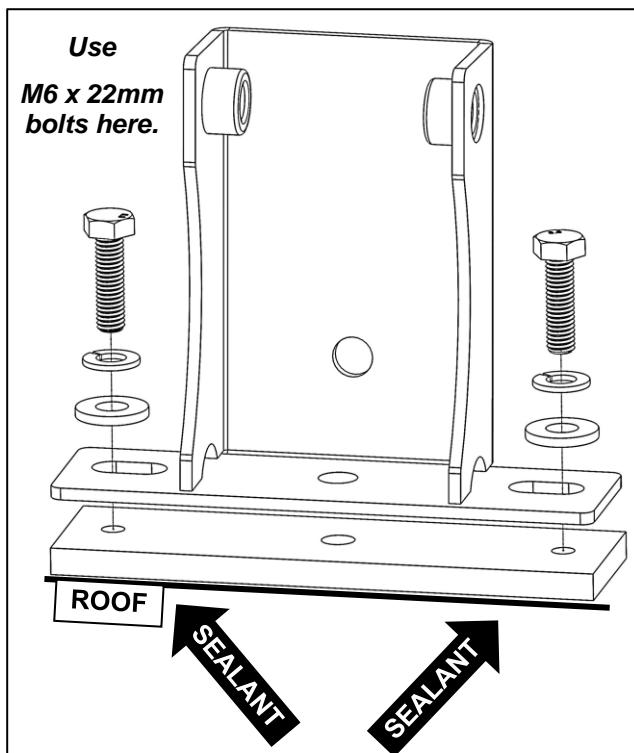
## ProMaster City Installation

- Remove the plugs from the roof in the **FOUR** mounting locations shown to expose the threaded inserts. **ONLY REMOVE PLUGS FROM FOUR INTENDED INSTALLATION LOCATIONS.**



## Rear and Front Mount Locations:

- Apply sealant around the threaded inserts in the roof.
- Place the three-hole rubber pad on top of the van with the **TWO OUTER HOLES** over the threaded inserts. **Be sure to apply sealant thoroughly to prevent water from leaking into the cargo area.**
- Bolt through the foot into the threaded inserts in the roof using M6 x 22mm hex heads, 1/4" lock washers, and 1/4" flat washers, in the order shown.

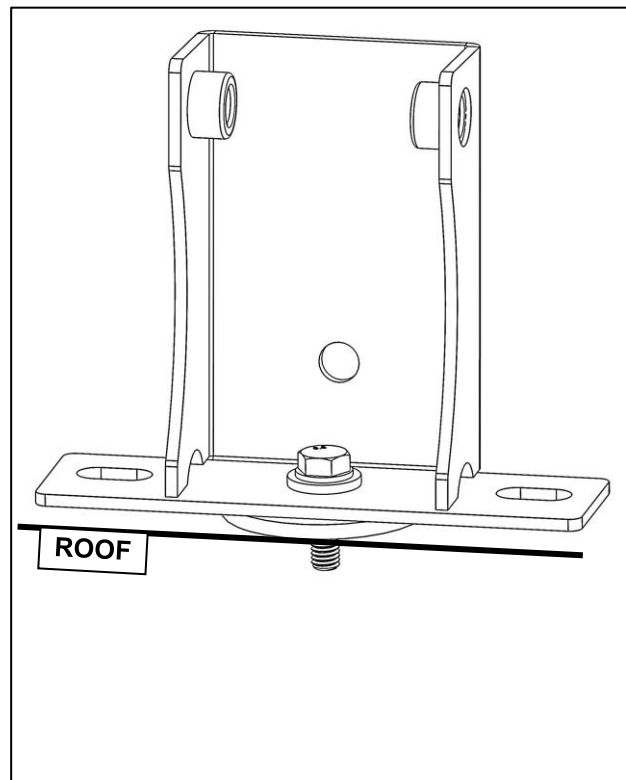
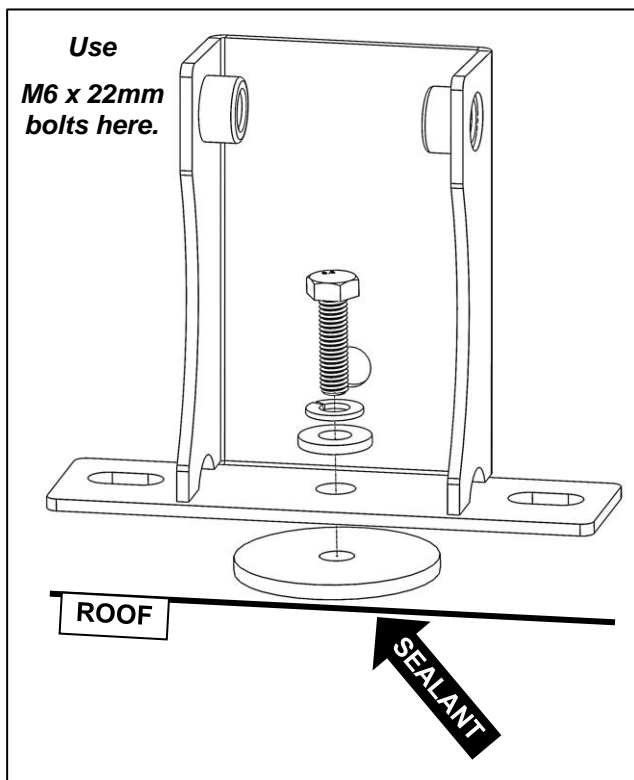


- Snug tighten, but allow movement.
- Repeat for opposite side of vehicle.

## ProMaster City Installation (Continued)

### Mid Mount Location (8008A only):

- Apply sealant around the threaded insert in the roof.
- Place the RUBBER WASHER on top of the van CENTERED over the threaded insert. **Be sure to apply sealant thoroughly around threaded insert to prevent water from leaking into the cargo area.**
- Place the foot on top of the rubber washer with the cup of the foot facing outwards.
- Using M6 x 22mm hex heads, 1/4" lock washers, and 1/4" flat washers, bolt through foot into the threaded inserts in the roof, in the order shown.

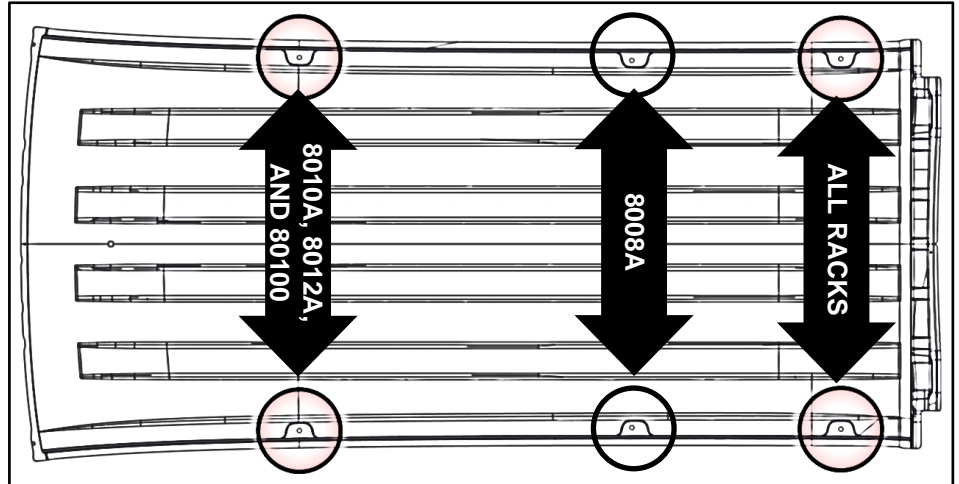


- Snug tighten, but allow movement.
- Repeat for opposite side of vehicle.

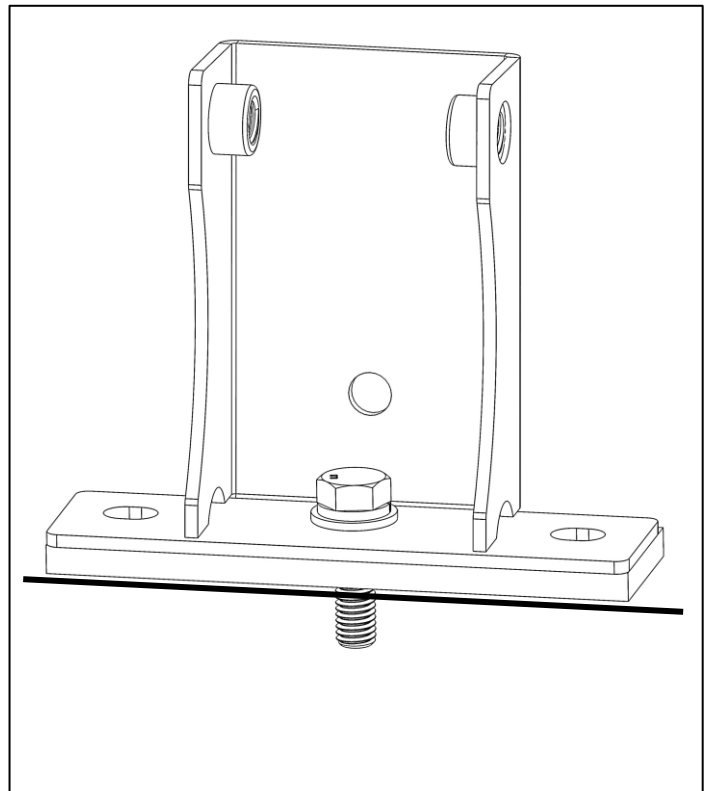
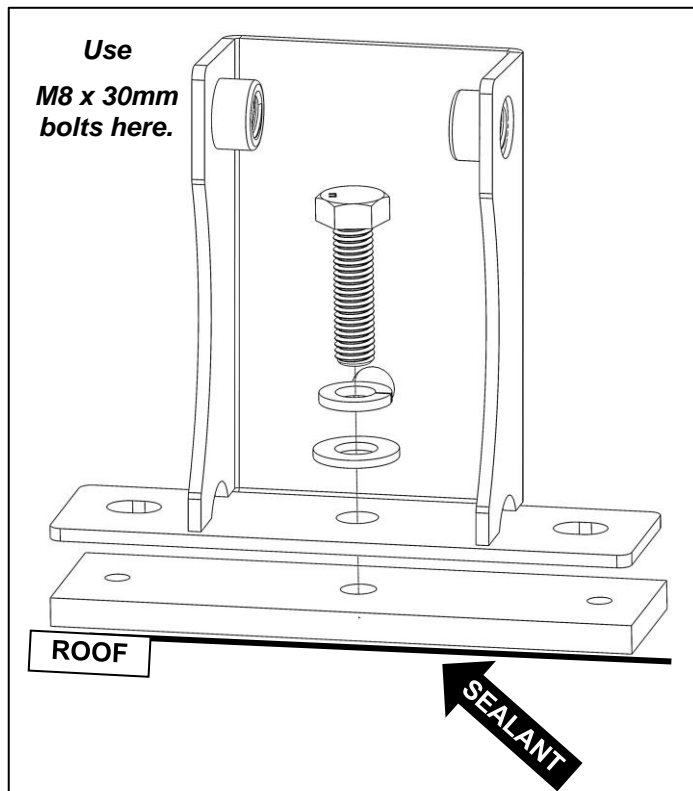
**Mount rack to feet per instructions that came with rack.**

## NV200/City Express Installation

- Remove the plugs from the roof in the **FOUR** mounting locations shown to expose the threaded inserts. **ONLY REMOVE PLUGS FROM FOUR INTENDED INSTALLATION LOCATIONS.**



- Apply sealant around the threaded inserts in the roof. Be sure to apply sealant thoroughly to prevent water from leaking into the cargo area.
- Place the three-hole rubber pad on top of the van with the center hole over the threaded insert.
- Place the foot on top of the three-hole rubber pad with the cup of the foot facing outwards.
- Bolt through the foot into the threaded inserts using a M8 x 30mm hex head, 5/16" lock washer, 5/16" flat washer and a rubber pad in the order shown.



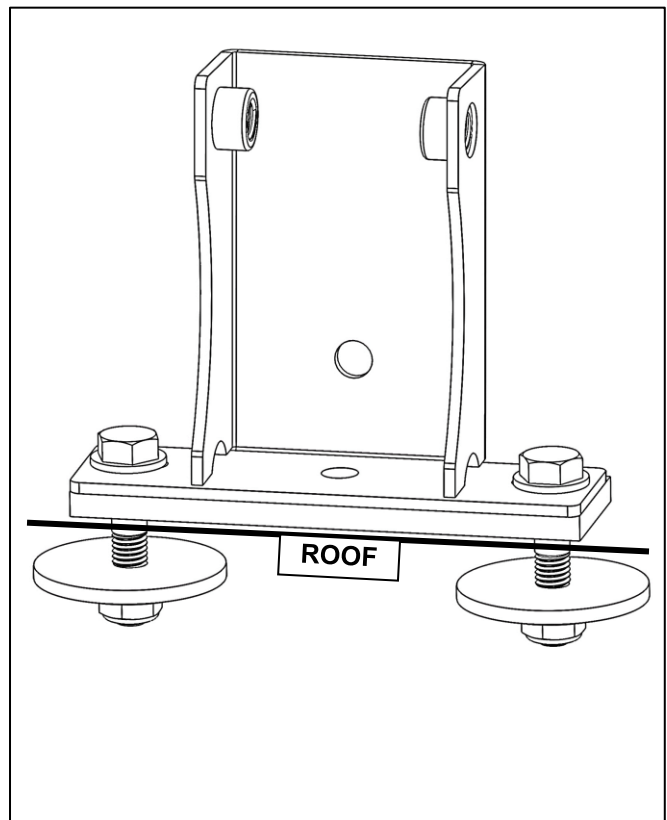
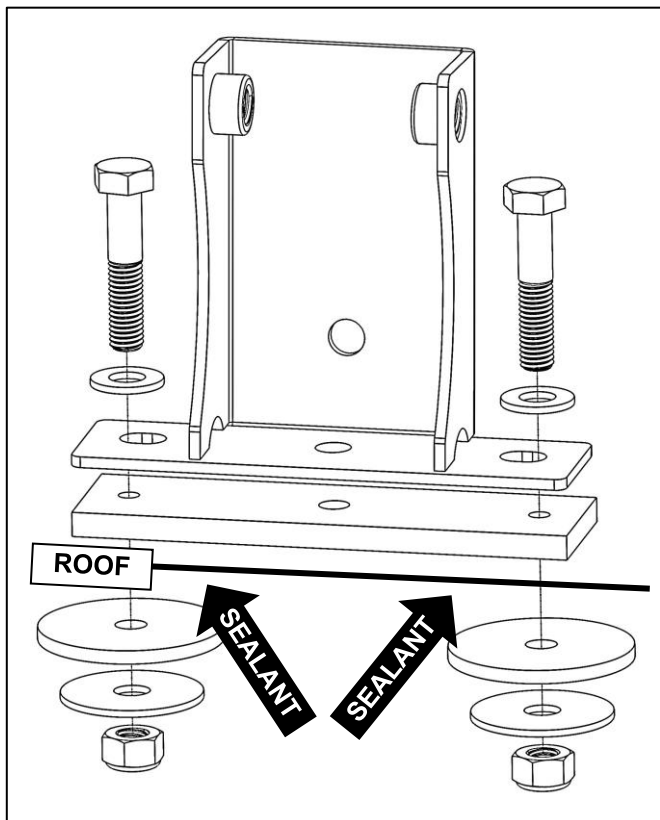
- Repeat for remaining three locations.
- Snug tighten, but allow movement.

**Mount rack to feet per instructions that came with rack.**



## Camper Shell Installation

- Find the desired ladder location on top of camper shell. Some caps will have reinforced mounting locations built into the cap. **THIS STEP MAY BE EASIER IF THE FEET ARE INSTALLED ON THE RACK.**
- Place the feet on top of the camper shell in the desired location.
- Mark through the slots in the feet onto the top of the camper shell. **Be sure the marked location is safe to drill.**
- Drill the center of each slot using a 5/16" drill.
- **APPLY SEALANT** around the exposed holes in the cap to help prevent water from leaking into the cargo area.
- Place a three-hole rubber pad on top of the holes in the cap.
- Place the foot on top of the rubber pad.
- Bolt through the foot, the rubber pad and the camper shell using two M8 x 40mm hex heads and two 5/16" flat washers.
- From the inside of the camper shell, LOOSELY attach a rubber washer, a 5/16" fender washer and M8 lock nut onto bolts.
- **Thoroughly APPLY SEALANT** around the holes in the foot and rubber pad.
- Snug tighten, but allow movement.
- Repeat at remaining three locations.



**Mount rack to feet per instructions that came with rack.**