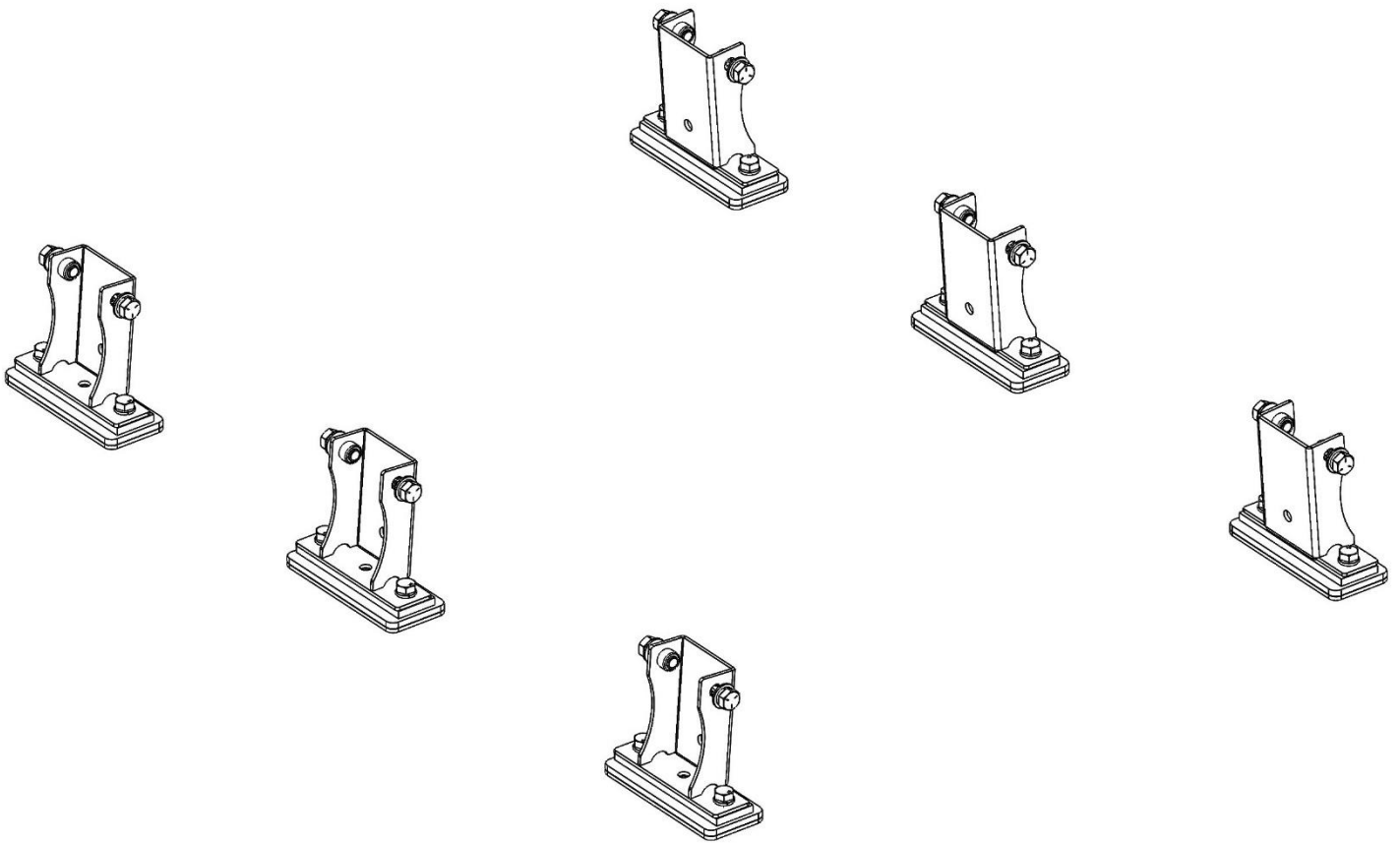


# Holman

---

## Installation Guide 4089T

---



---

Holman  
Rancho Cordova, CA 95742  
800-343-7486  
[InstallationSupport@Holman.com](mailto:InstallationSupport@Holman.com)

---

## PLEASE READ ALL INSTRUCTIONS AND WARNINGS PRIOR TO ASSEMBLING, INSTALLING, AND USING THIS PRODUCT.

### Warning



Always check for wires, fuel tanks and lines, brake lines and other important vehicle functionality items prior to drilling and installing all products.

### Table of Contents

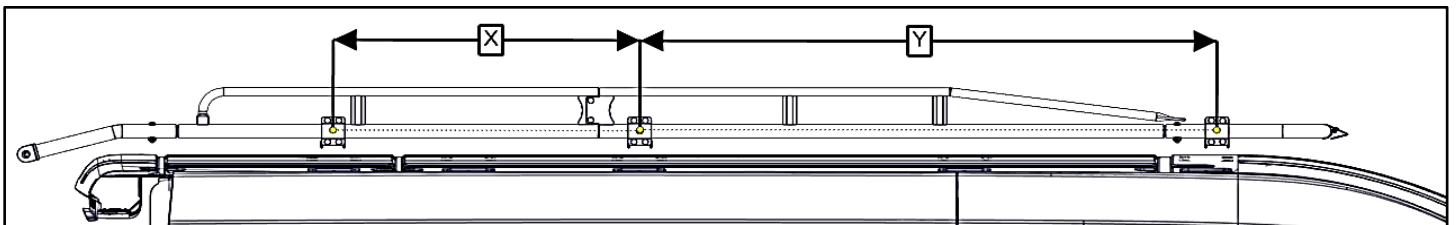
Before You Begin .....	1
Parts List.....	2
Hardware .....	2
Hardware (Continued) .....	3
Step 1 – Determine appropriate mounting locations.....	4
Step 2A – TRANSIT – Install Feet .....	5
Step 2B – SPRINTER – Install Feet .....	6
Step 2C – NV – Install Feet .....	7
Step 3 – Mount Rack.....	8

### Tools Needed

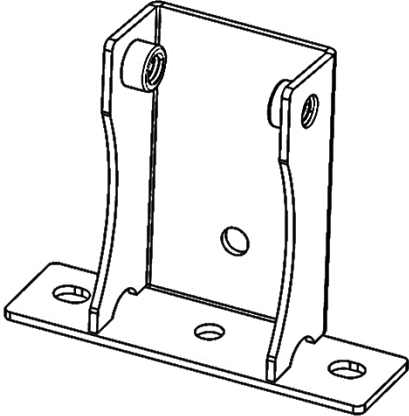
9/16" Socket and Wrench	13mm Socket and Wrench
Tape Measure	13mm Box Wrench

### Before You Begin

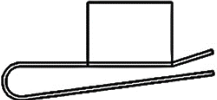
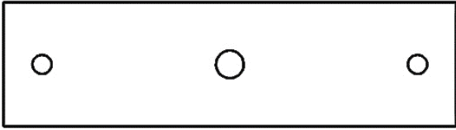
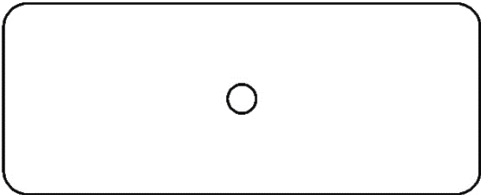
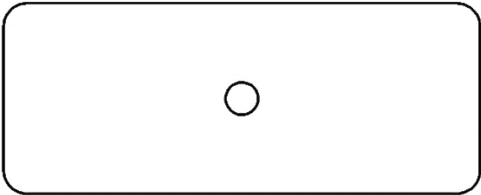

- There are different instructions for different vehicles. **Be sure to follow the proper installation instructions for your van.**
- Follow the instructions included in the ladder rack to assemble the ladder rack.
- **If installing on Ford Transit or a Sprinter, be sure to put sealant around exposed holes in the roof. Place sealant between the roof and the rubber pads.**
- Some adjustment is going to be needed on the ladder rack itself to coordinate with the mount locations on the roof of the van. Use the dimensions measured from the roof mount locations and coordinate onto the rack crossbars (X & Y). Some slight adjustment will be needed once rack is placed onto roof.
- **BE SURE TO ADJUST RACK FAR ENOUGH TO THE REAR SO REAR DOORS OPEN.**




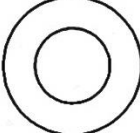

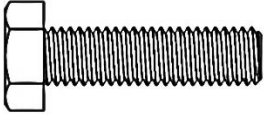
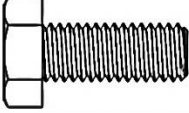
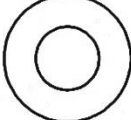
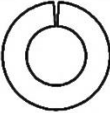

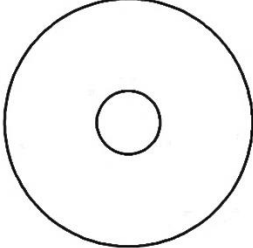
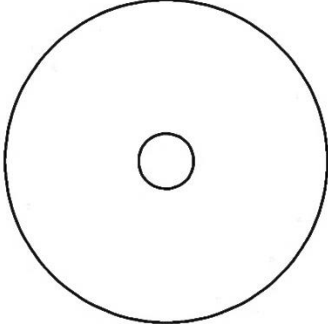
## Parts List

ITEM NO.		PART NUMBER	DESCRIPTION	QTY.
1		4089A-T0-004	Aluminum Foot	6
		18-4089T	Hardware Kit	1

## Hardware

ITEM	HARDWARE TO SCALE	PART NUMBER	DESCRIPTION	QTY.
1		0162867	M8 U- Nut	12
2		40821-10-004	3 Hole Rubber Pad	6
3		T249-02	EPDM Rubber 3MM	6
4		T250-01	Transit Roof Plate	6
5			Sealant	1

## Hardware (Continued)

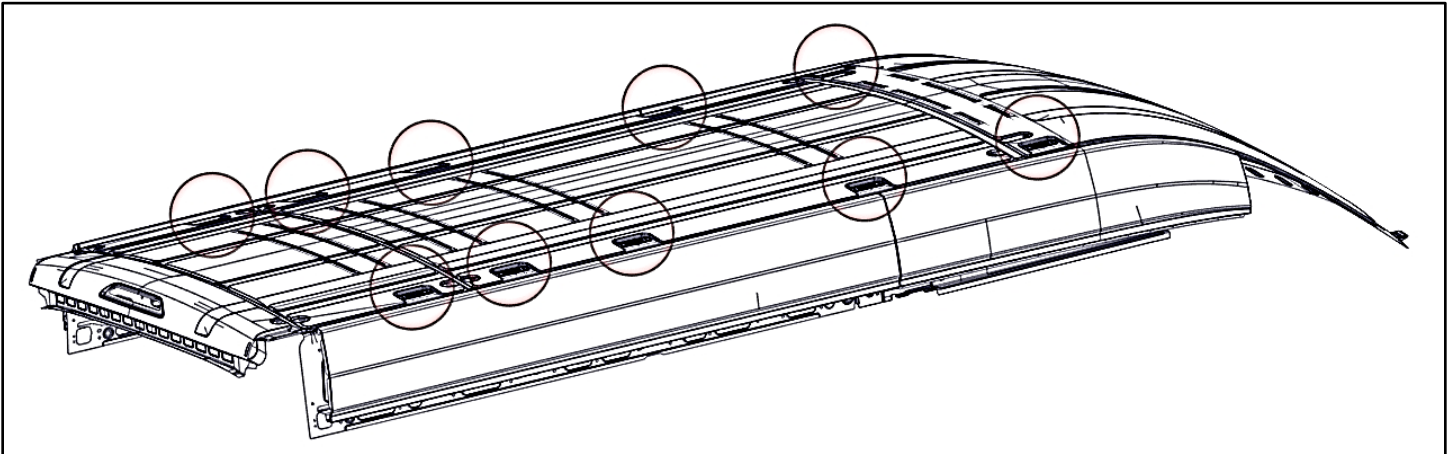
ITEM	HARDWARE TO SCALE	PART NUMBER	DESCRIPTION	QTY.
6		70105	3/8-16 X 1" HEX HEAD BOLT	12
7		11541089	3/8" WASHER	12
8		0123496	3/8" SPLIT LOCK WASHER	12
9		11552488	M8-1.25 X 30MM HEX HEAD BOLT	6
10		11552486	M8-1.25 X 20MM HEX HEAD BOLT	12
11		11545144	5/16" FLAT WASHER	12
12		1171067	5/16" LOCKING WASHER	18
13		11511017	M8-1.25 NYLON NUT	6
14		33216	5/16" FENDER WASHER	6
15			5/16" RUBBER FENDER WASHER, 1-3/4" OD X 1/8" THK	6

## **DO NOT EXCEED MANUFACTURERS WEIGHT CAPACITY FOR ROOF!**

### **Step 1 – Determine Appropriate Mounting Locations**

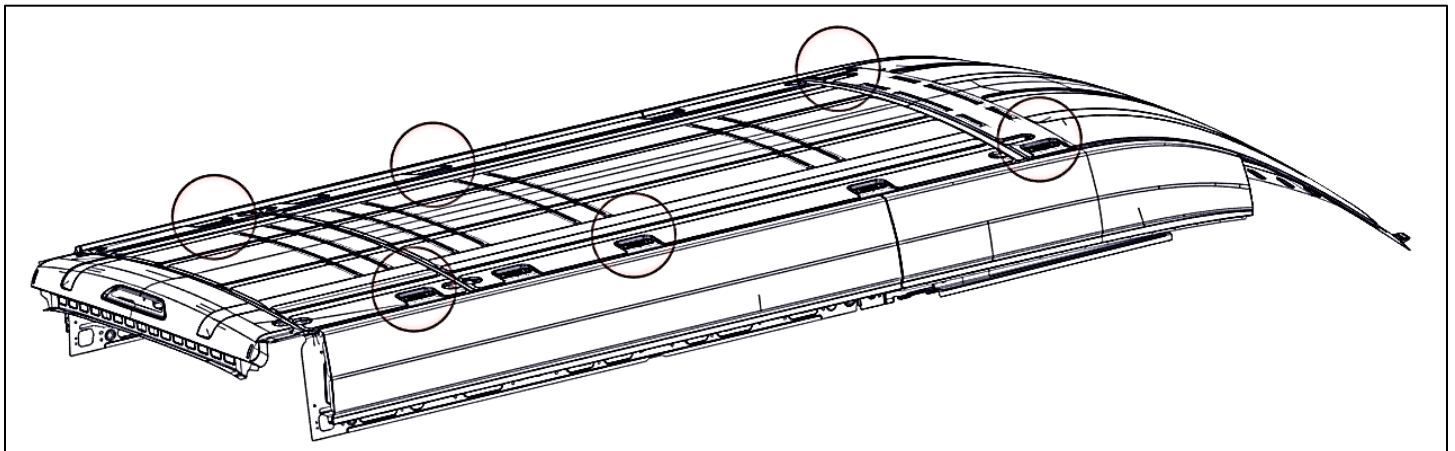
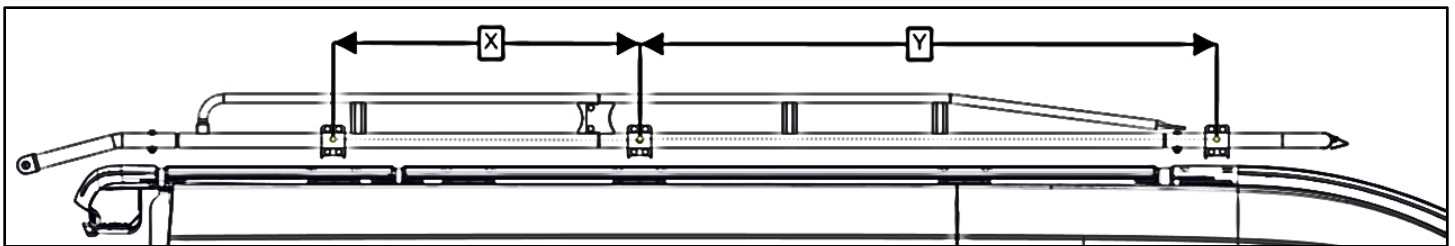
- Locate threaded embosses along the roof of the van.
- Use a tape measure to measure these locations.
- Compare these locations with the rack and determine which locations you would like to use. Shown below is the threaded embosses on a high roof, long wheelbase Transit for reference. Mount locations will vary dependent on which vehicle rack is mounted on.

**Note: We recommended using the rear most, middle and front most mount location on the Transit installations shown below.**



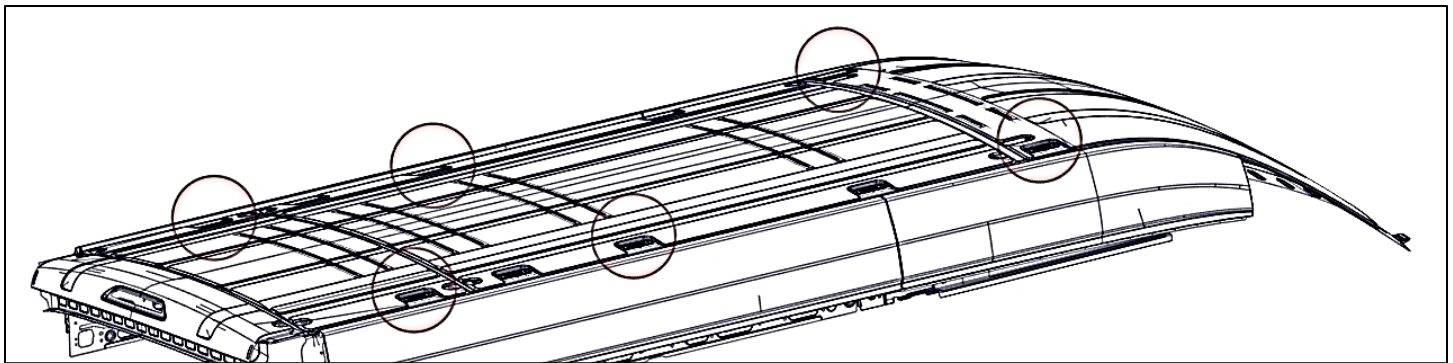
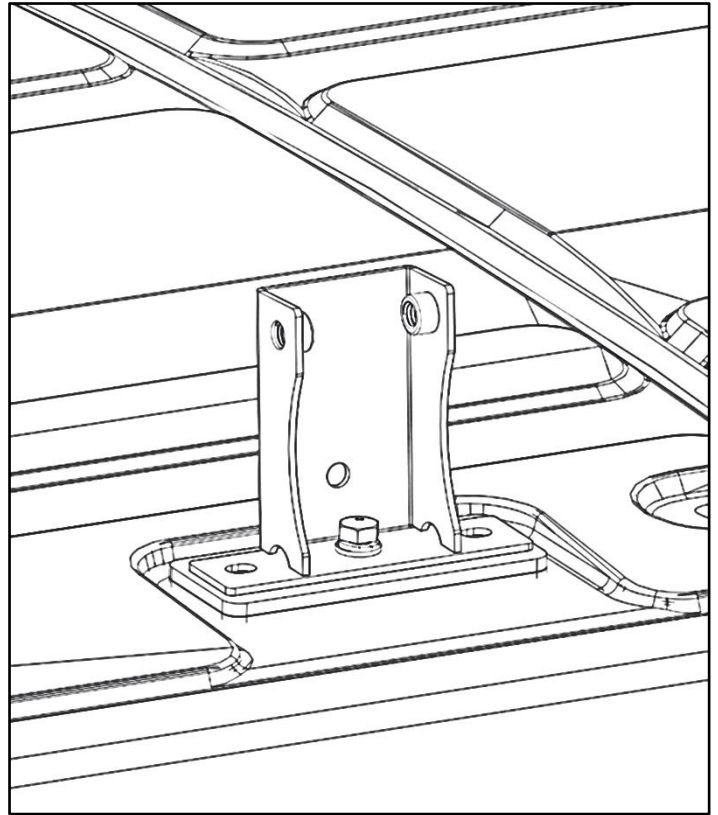
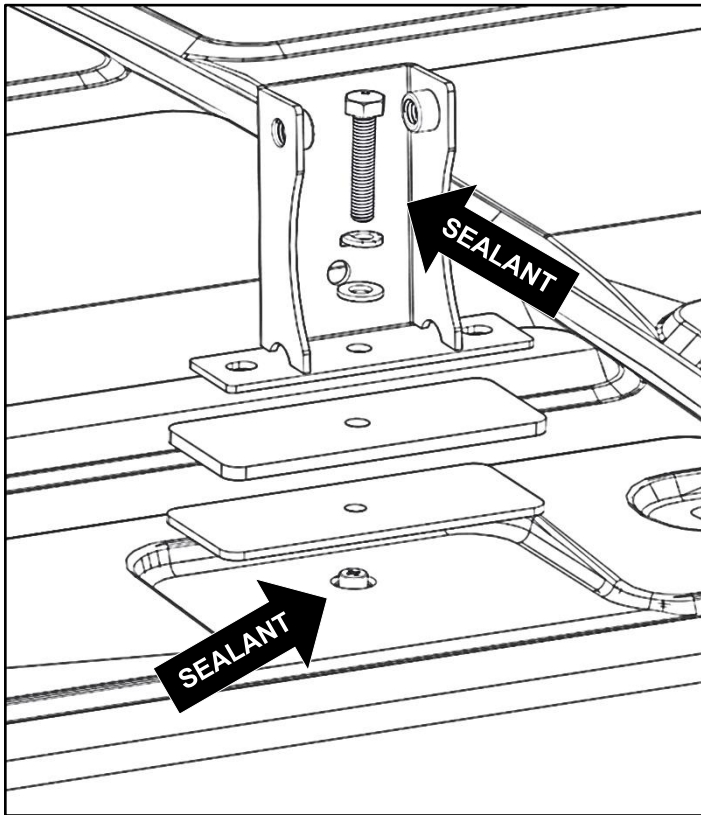
- Use the dimensions (X & Y) measured from the roof mount locations and coordinate onto the rack crossbars. Some slight adjustment will be available once rack is placed onto roof.

**BE SURE TO HAVE THE RACK ADJUSTED FAR ENOUGH TO THE REAR TO ALLOW FULL FUNCTION OF THE REAR DOORS.**



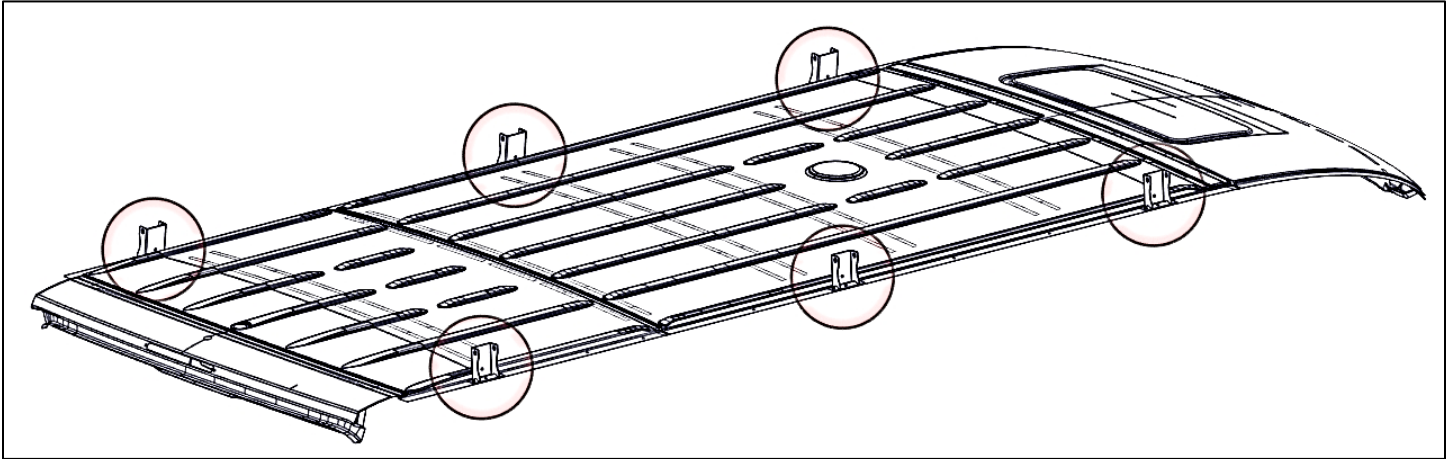
## Step 2A – TRANSIT – Install Feet

- Insert M8 x 30mm hex head bolt through 5/16" lock washer, and 5/16" flat washer, foot, T250-01 roof plate, and T249-02 rubber pad.
- Place sealant around threads of M8 x 30mm hex head bolt, bottom of rubber pad, and around threaded emboss in roof.
- Fasten bolt into the factory installed threaded holes in the roof, as shown. **If possible, have the opening of the foot facing to the outside of the van.** Be sure the rubber pad is between the Transit roof plate and the van.
- Snug tighten, but allow for movement.
- Repeat for all other mount locations.

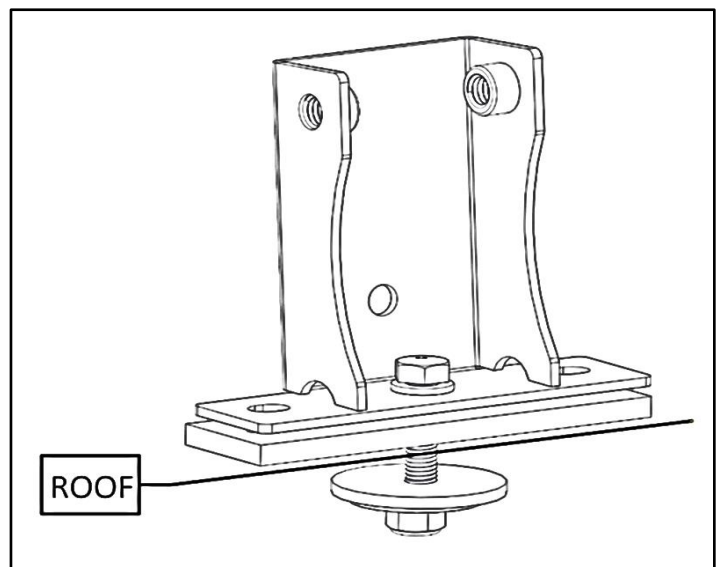
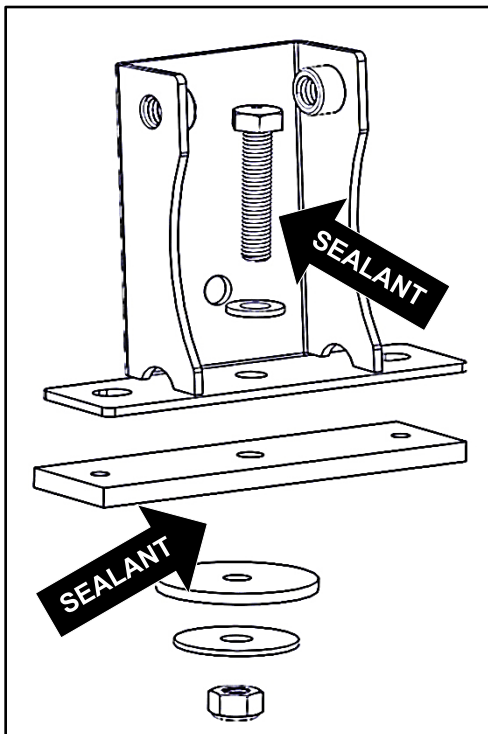


## Step 2B – SPRINTER – Install Feet

- Locate the desired mount locations, or find the recommended location shown below.

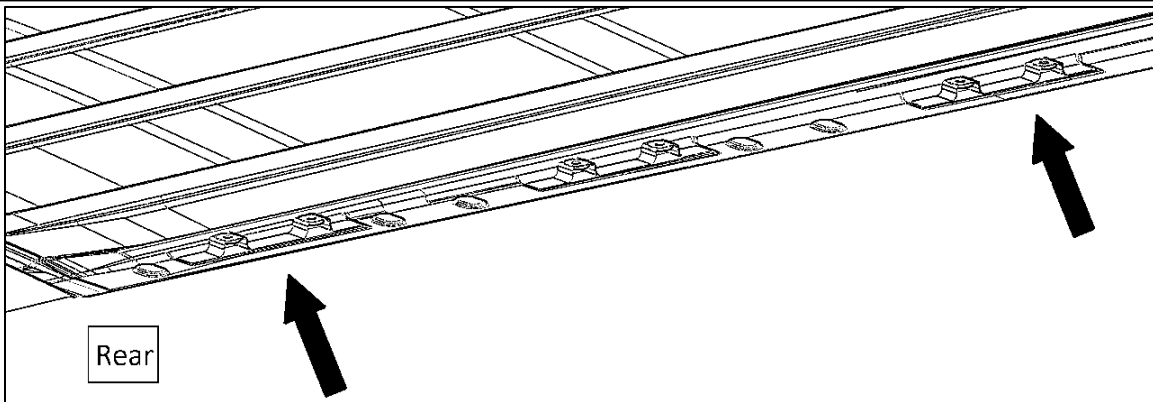
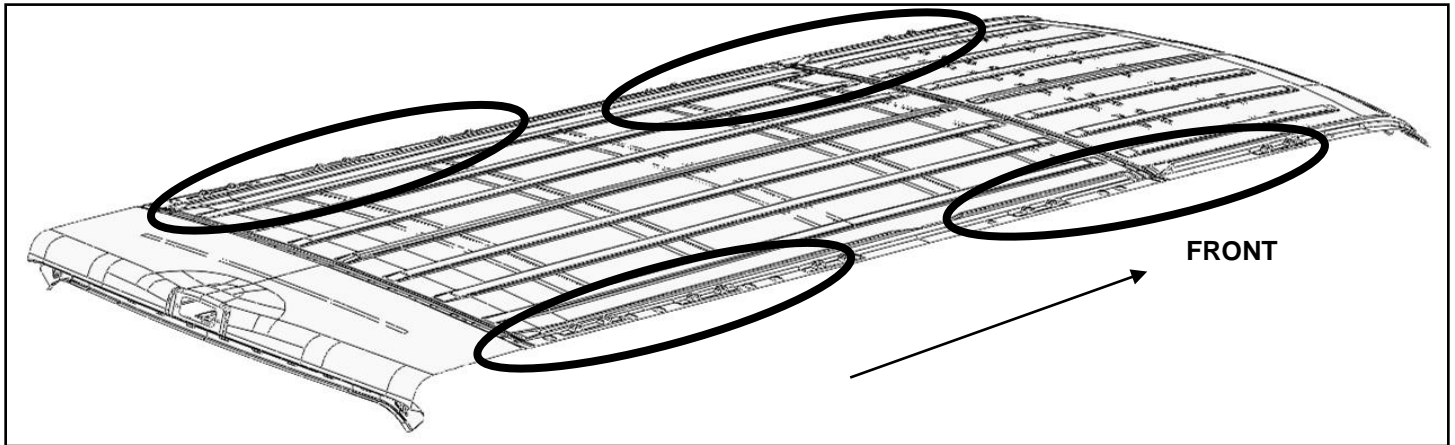


- Remove plug in roof at each desired mounting location.
- Insert a M8 x 30mm bolt through 5/16" flat washer, foot, and rubber pad.
- Apply sealant around threads of bolt, beneath rubber pad, and around hole in roof. Insert through hole in roof
- On the inside of the van, install the rubber washer, fender washer and M8 lock nut to bolt.
- **Be sure to apply sealant in and around threaded emboss in roof to ensure no water gets into cabin of van.**
- If possible, have the opening of the foot facing to the outside of the van.
- Snug tighten, but allow for movement during rack installation.
- Repeat at all desired locations.

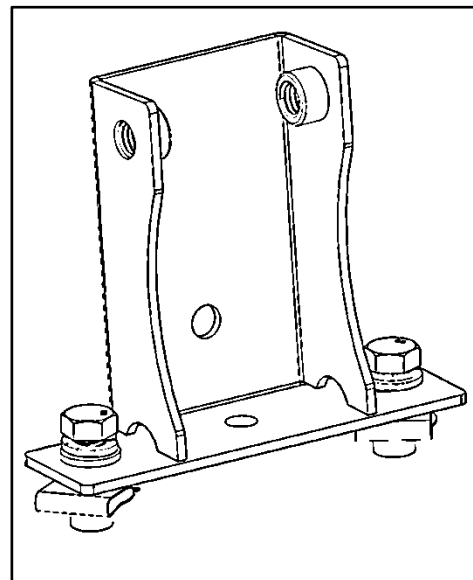
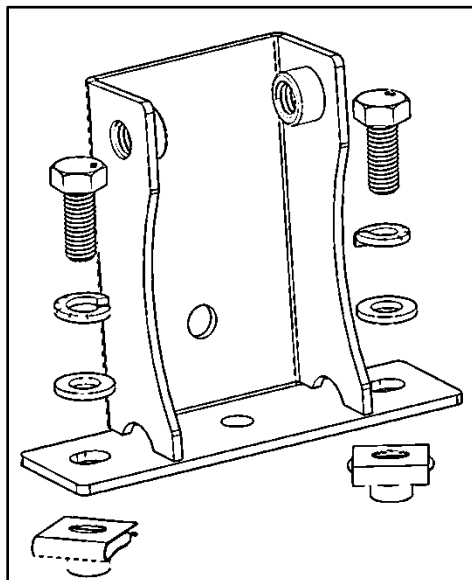


## Step 2C – NV – Install Feet

- Determine best mount locations for your application, then locate nut mounts along the outer edge of the roof of the van.



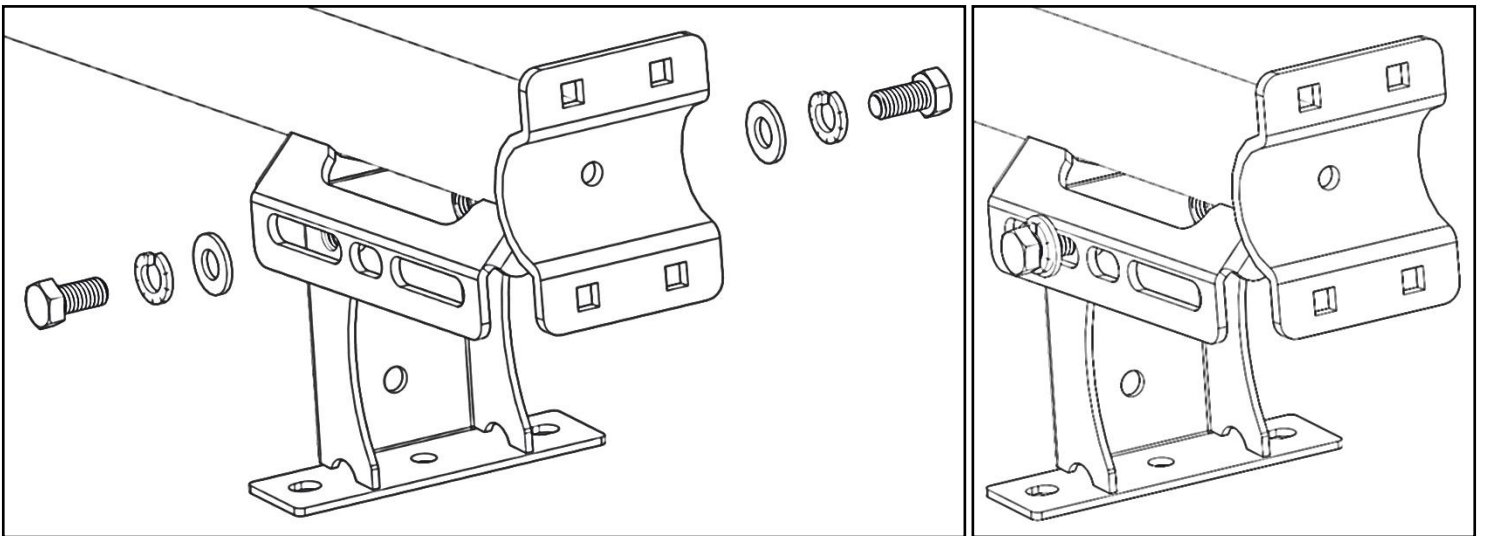
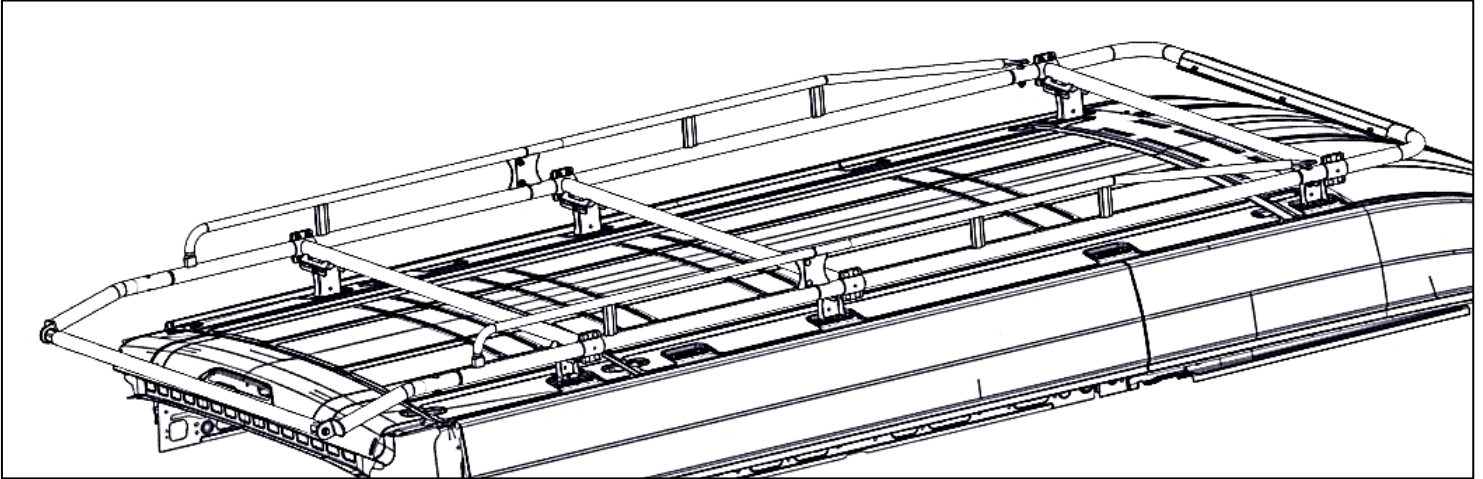
- Install u-nuts onto each raised nut mount.
- Using two M8 x 20mm hex head bolts, two 5/16" lock washers, and two 5/16" flat washers, install foot to u-nuts in orientation shown.
- Repeat at all desired locations.
- Snug tighten, but allow for movement during rack installation.





## **Step 3 – Mount Rack**

- Follow the rack assembly instructions.
- Place rack on top of feet previously installed.
- Using 3/8" x 3/4" hex head bolts, 3/8" split lock washers and 3/8" flat washers, bolt rack crossbars to feet.



**ADJUST AND ALIGN RACK TO YOUR LIKING.**

**GO BACK AND TIGHTEN ALL HARDWARE.**

**INSTALLATION IS COMPLETE.**

**Be sure sealant was used when mounting through or into the roof to ensure no water gets into cabin of van.**