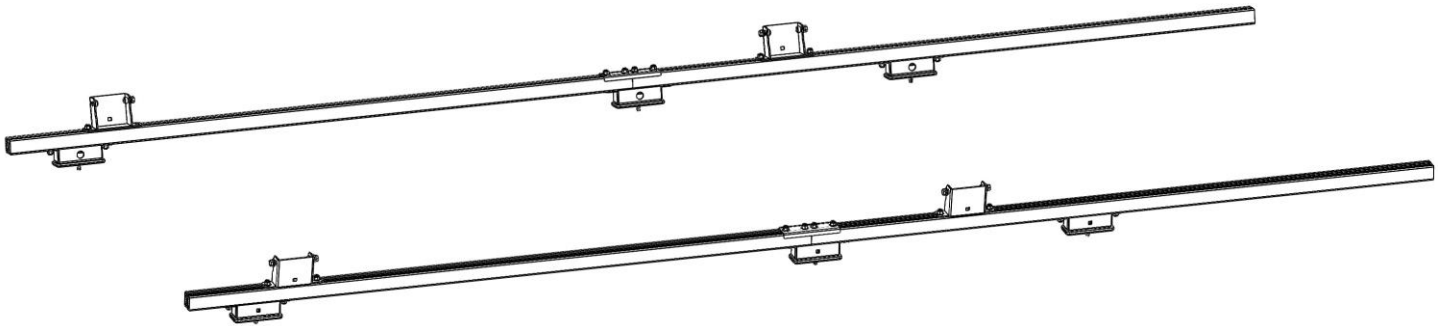


Holman

Instruction Guide 40918



Holman
Rancho Cordova, CA 95742
800-343-7486
InstallationSupport@Holman.com

PLEASE READ ALL INSTRUCTIONS AND WARNINGS PRIOR TO ASSEMBLING, INSTALLING, AND USING THIS PRODUCT.

Warning



Always check for wires, fuel tanks and lines, brake lines and other important vehicle functionality items prior to drilling and installing all products.

Tools Needed

1/2" Socket and Wrench	9/16" Socket and Wrench
13mm Socket and Wrench	Tape Measure

Table of Contents

Parts 2

Hardware 3

Step 1 – Combine Extrusions 5

Transit..... 6

 Step 2 – Find Mount Locations on Roof of Van..... 6

 Step 3 – Install Mount Block..... 6

ProMaster 7

 Step 2 – Find Mount Locations on Roof of Van..... 7

 Step 3 – Install Mount Block..... 7

Sprinter 8

 Step 2 – Find Mount Locations on Roof of Van..... 8

 Step 3 – Install Mount Block..... 9

NV 10

 Step 2 – Find Mount Locations on Roof of Van..... 10

 Step 3 – Install Mount Block..... 10

Step 4 – Install Extrusion 12

Step 5 – Install Feet..... 12

Step 6 – Mount Feet to Rack 13


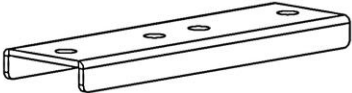
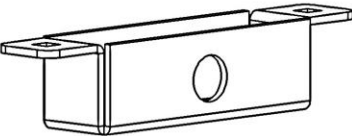
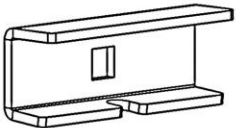
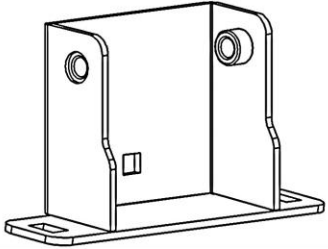
Step 7 – Adjust Rail Length 14

DO NOT EXCEED MANUFACTURERS WEIGHT CAPACITY FOR ROOF

Before You Begin

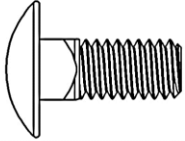
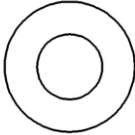


- Read all instructions prior to assembling or installing any Holman product.
- Find your truck cap roof mounting locations prior to rack assembly.
- **The standard distance between the front and rear bow is 71.5” or 96”. This can vary, but be sure the rack is assembled prior to installing mounts on vehicle.**
- **This is a universal mounting kit. Hardware for different vehicles is included. There will be extra hardware remaining after installation.**

Parts

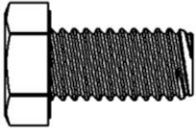
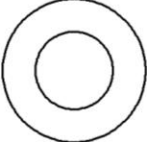
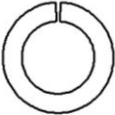
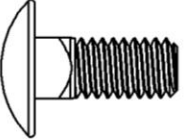
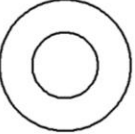

NO.	ITEM	PART NUMBER	DESCRIPTION	QTY.
1		40918-00-001	EXTRUSION	4
2		40918-00-006	SPLICE PLATE	2
3		40918-00-003	MOUNT BLOCK	6
4		40918-00-005	PM MOUNT CLIP	6
5		40918-10	COMMERCIAL CAP FOOT ASSEM	4
6		18-40918-FT	FOOT BOLT KIT	1
7		18-40918-SP	SPLICE PLATE BOLT KIT	1
8		18-4A818-T	TRANSIT BOLT KIT	1
9		18-40818-NV	NV BOLT KIT	1
10		18-40818-S	SPRINTER BOLT KIT	1

Hardware

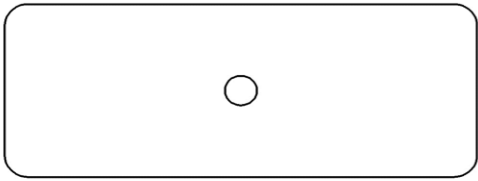
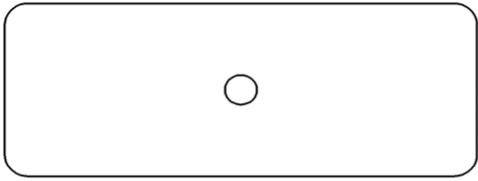
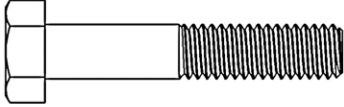
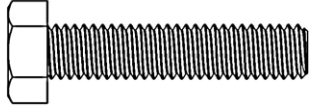
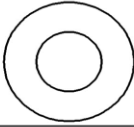
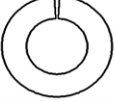
Hardware – Splice Plate Bolt Kit (18-40918-SP)

ITEM	HARDWARE TO SCALE	PART NUMBER	DESCRIPTION	QTY.
1		21810	5/16"-18 X 3/4" CARRIAGE BOLT	8
2		33080	5/16" WASHER	8
3		0169777	5/16"-18 LOCK NUT	8
4		92620A591	5/16" x 1-1/2" Threaded Stud	2

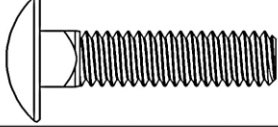
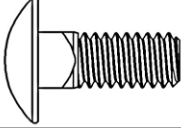
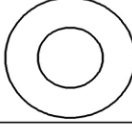

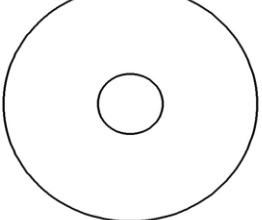
Hardware – Foot Bolt Kit (18-40918-FT)

ITEM	HARDWARE TO SCALE	PART NUMBER	DESCRIPTION	QTY.
1		11241196	3/8-16 X 3/4" HEX HEAD BOLT	8
2		1133082	3/8" WASHER	8
3		1133622	3/8" LOCK WASHER	8
4		21810	5/16"-18 X 3/4" CARRIAGE BOLT	20
5		33080	5/16" WASHER	20
6		0169777	5/16"-18 NYLOC	20
7		-	Self Leveling Adhesive Sealant	1

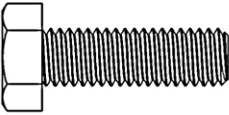
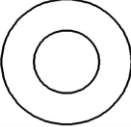
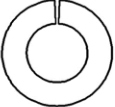
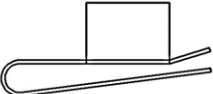
Hardware – Transit Bolt Kit (18-4A818-T)

ITEM	HARDWARE TO SCALE	PART NUMBER	DESCRIPTION	QTY.
1		T249-02	UV Resistant EPDM (1:2 Scale)	6
2		T250-01	Transit Roof Plate (1:2 Scale)	6
3			M8 x 1.25 x 40mm Hex Head Bolt	6
4		0158989	M8-1.25 X 35MM HEX HEAD BOLT	6
5		33080	5/16" WASHER	6
6		1171067	5/16" LOCKING WASHER	6

Hardware – ProMaster / Sprinter Bolt Kit (18-40818-S)

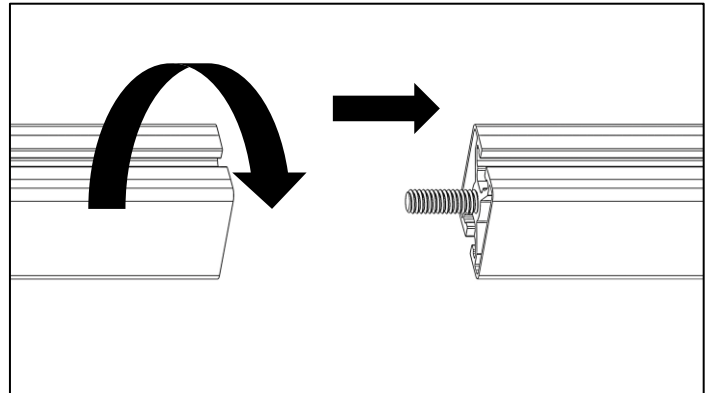
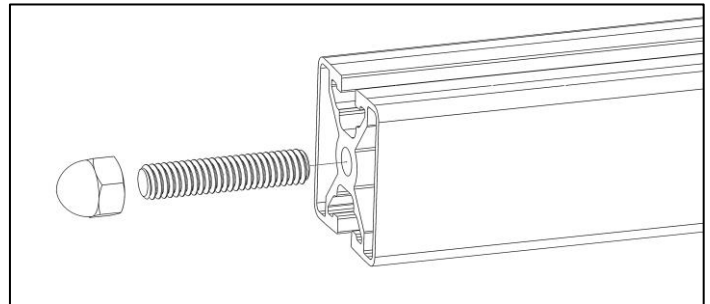
ITEM	HARDWARE TO SCALE	PART NUMBER	DESCRIPTION	QTY.
1		11137256	5/16"-18 X 1-1/4" CARRIAGE BOLT	8
2		21810	5/16"-18 X 3/4" CARRIAGE BOLT	8
3		33080	5/16" WASHER	8
4		0169777	5/16"-18 LOCK NUT	16
5		33216	5/16" FENDER WASHER	8

Hardware – NV Bolt Kit (18-40818-NV)

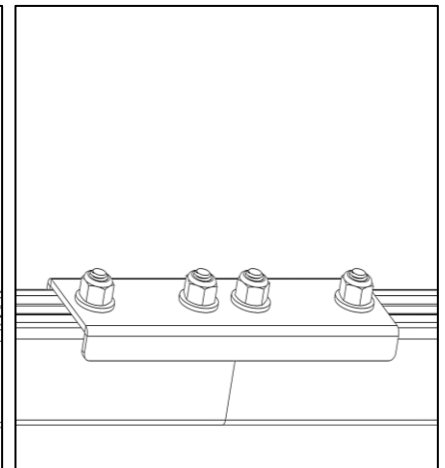
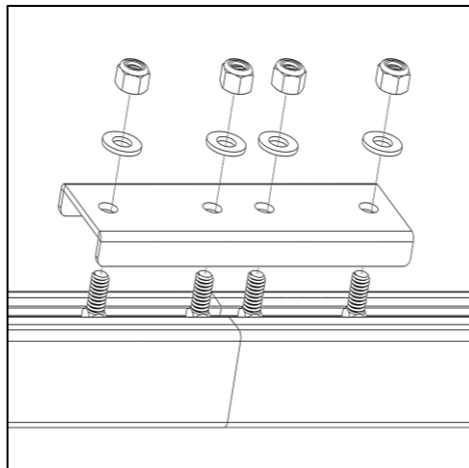
ITEM	HARDWARE TO SCALE	PART NUMBER	DESCRIPTION	QTY.
1		0162378	M8-1.25 X 25MM HEXHEAD BOLT	12
2		33080	5/16" WASHER	12
3		1171067	5/16" LOCKING WASHER	12
4		0162867	M8 U- Nut	12

Step 1 – Combine Extrusions

- Thread threaded stud into center hole of one end of one extrusion. Using either a cap nut or two nuts on the end of threaded stud will aid in threading the stud into the extrusion.
- Screw the other extrusion onto the other end of threaded stud.



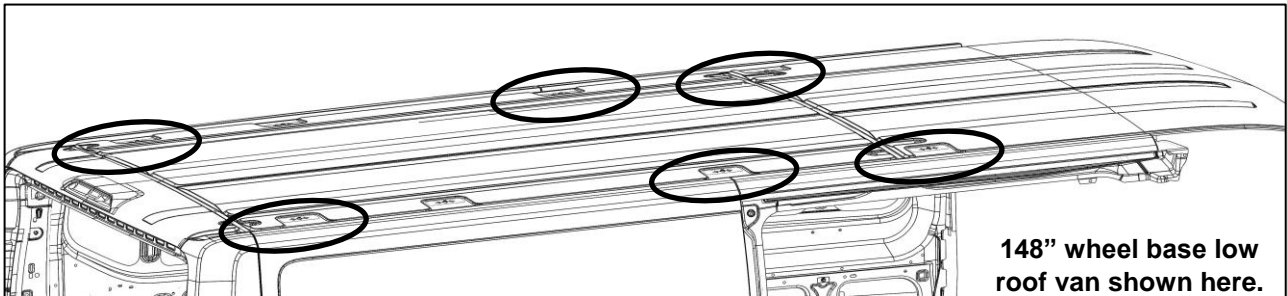
- Slide two 5/16" x 3/4" carriage bolts into the end of each rail.
- Set the splice plate over the four carriage bolts.
- Using four 3/8" washers and four 3/8" lock washers, fasten the splice plate to the extrusions. **Be sure the splice plate is centered over the two extrusions.**
- Tighten.
- Repeat for other two extrusions.



Transit

Step 2 – Find Mount Locations on Roof of Van

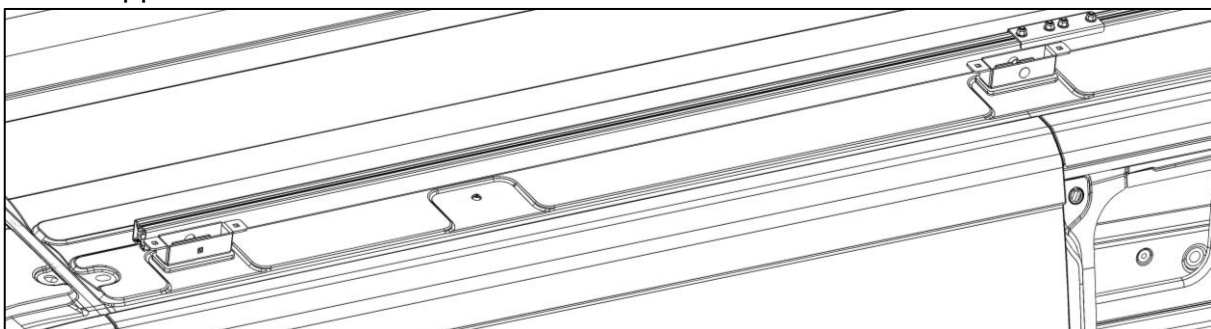
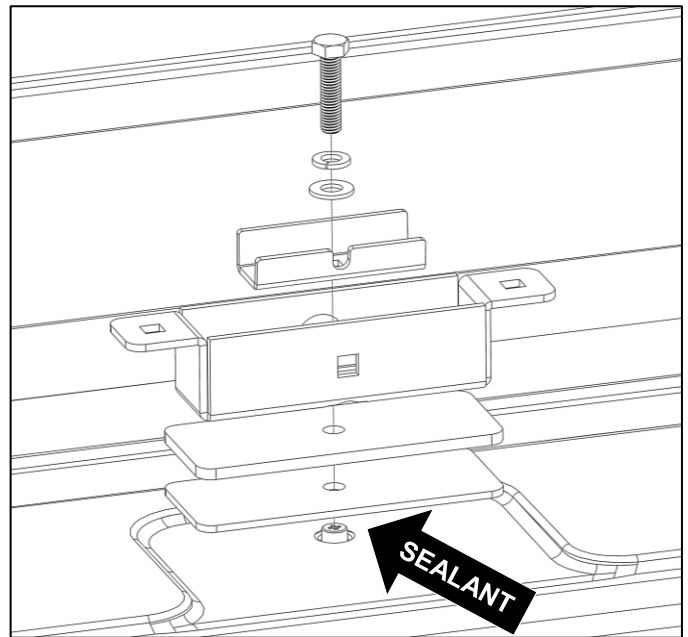
- Locate 6 mounting locations on each side of van. These are mounting blocks installation locations.
- Remove plugs from roof.



Step 3 – Install Mount Block

Due to variations in vehicle manufacturing, extra M8 x 40mm hex head bolts have been supplied in case the M8 x 35mm bolts are too short to get secure grip.

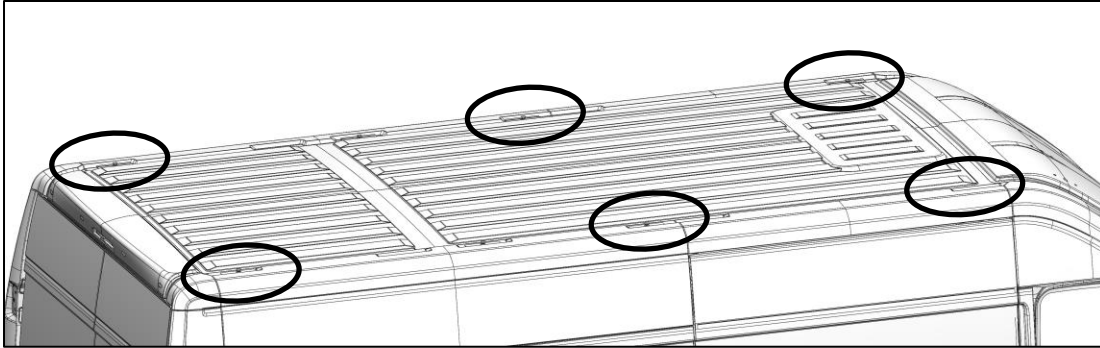
- Apply sealant around M8 x 35mm hex head bolt and factory installed threaded hole.
- Using M8 x 35mm hex head bolt, 5/16" lock washer, and 5/16" flat washer, bolt through PM mount clip, mount block, T250-01 roof plate, and T249-02 rubber pad and into the factory installed threaded holes in the roof. **Be sure the bolt is through the square hole in the PM mount clip.**
- Loosely tighten but allow for movement.
- Repeat for other two locations on same side of vehicle.
- Hold preassembled extrusion against sides of mount block to align mount blocks as shown below.
- Keeping mount blocks aligned, tighten hardware to secure mount block to roof.
- Repeat for opposite side.



ProMaster

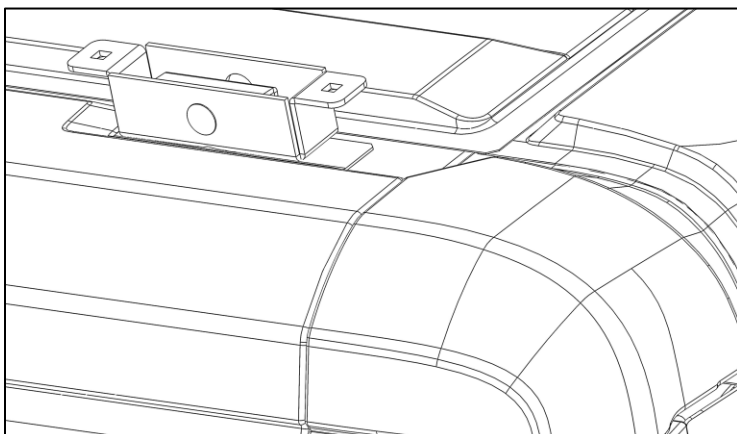
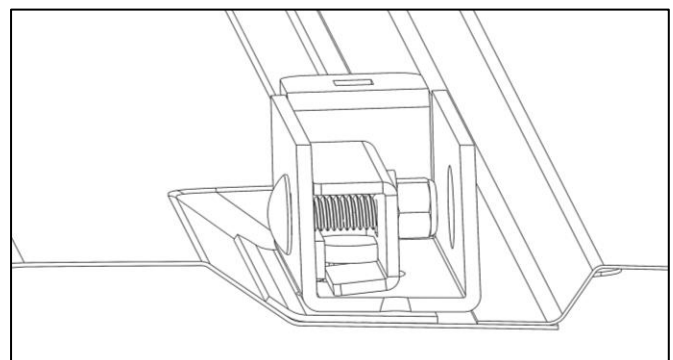
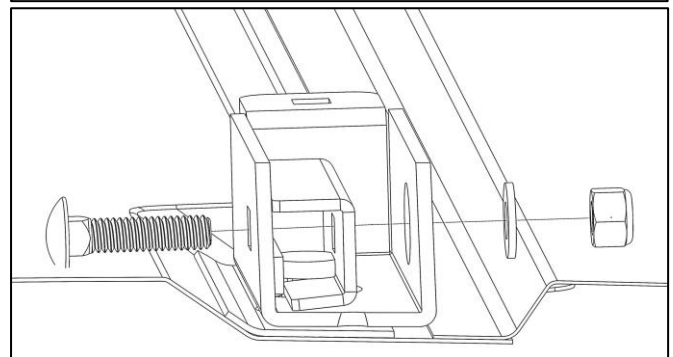
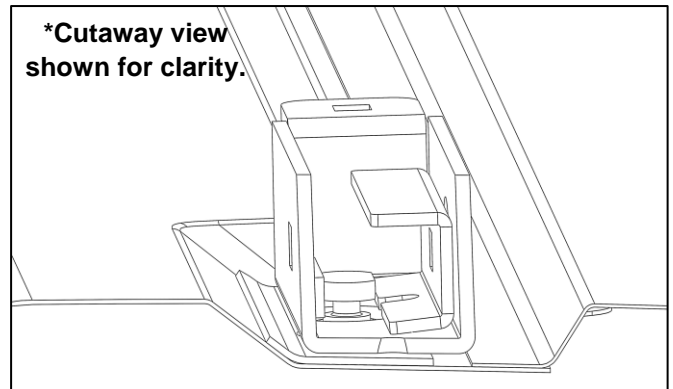
Step 2 – Find Mount Locations on Roof of Van

- Locate 6 mounting locations on each side of van. These locations are where the mounting blocks will be installed. This picture shows on a 159" wheel base, high roof van.



Step 3 – Install Mount Block

- Set mount block assembly over the T-stud extruding from the top of the roof.
- Insert PM mount clip so that the slot goes under the head of the T-stud to mount tight.
- Bolt through the mount assembly and the mount bracket using a 5/16" x 1-1/4" carriage bolt, a 5/16" flat washer, and a 5/16" lock nut, as shown.
- Snug tighten but allow for movement. **DO NOT OVER TIGHTEN.**
- Repeat for all remaining mounting locations.

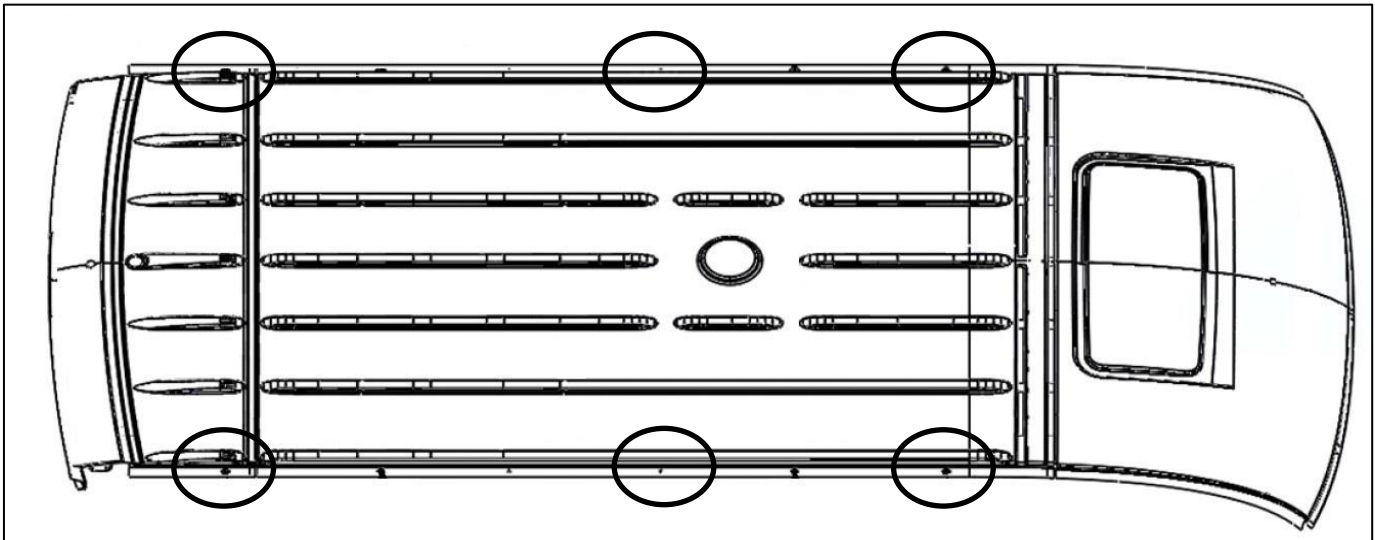


Sprinter

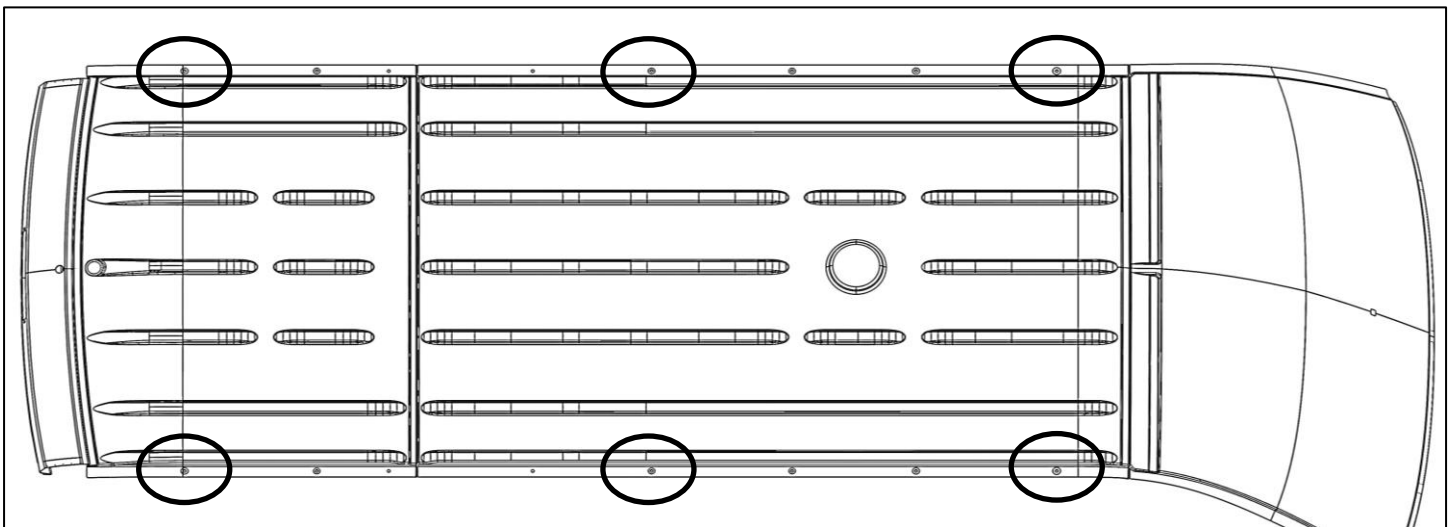
Step 2 – Find Mount Locations on Roof of Van

- Locate 6 total factory bosses on roof of van. These locations are spread out along the side of the roof. It is best to select the rear most bosses, forward most bosses, and bosses centered between front and rear.
- Mounting locations for different roof heights and wheelbases will vary.

Sprinter 144" Wheelbase Typical Mounting Locations

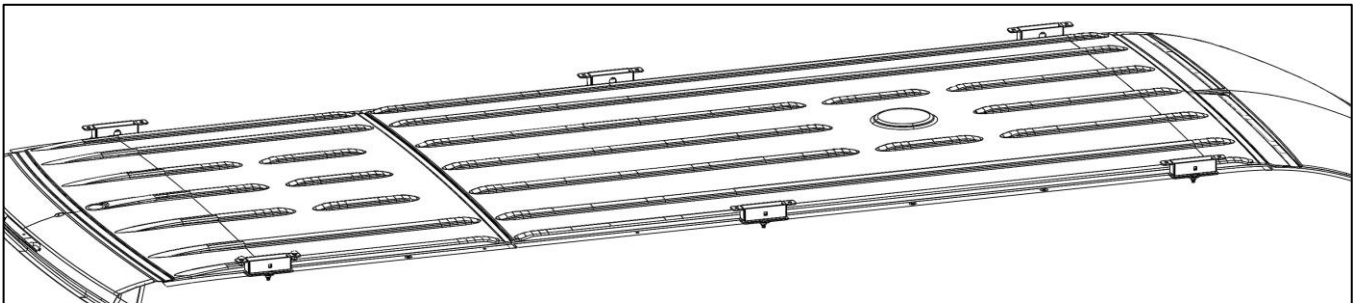
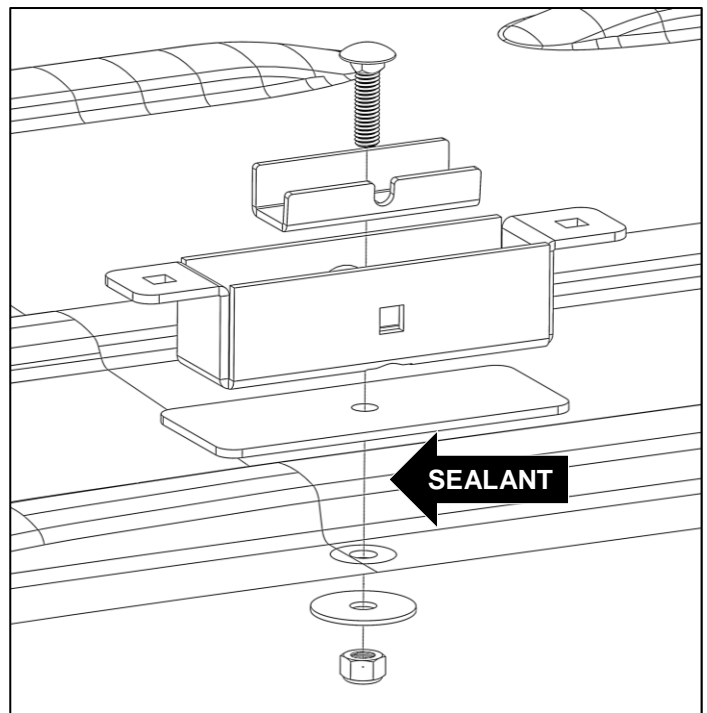


Sprinter 170" Wheelbase Typical Mounting Locations



Step 3 – Install Mount Block

- Drill out selected bosses using a 5/16" drill bit.
- Insert a 5/16" X 1-1/4" carriage bolt through PM mount clip, mount block, and T249-02 rubber pad. **Be sure the carriage bolt is through the square hole in the PM mount clip.**
- Apply sealant around drilled hole, hole in bottom of pad, and around threads.
- Insert end of carriage bolt through hole drilled in boss.
- Using a 5/16" fender washer and 5/16" lock nut, fasten clip, block, and pad to roof.
- Snug tighten but allow for movement.
- Repeat for other two locations on same side of vehicle.
- Repeat for opposite side.

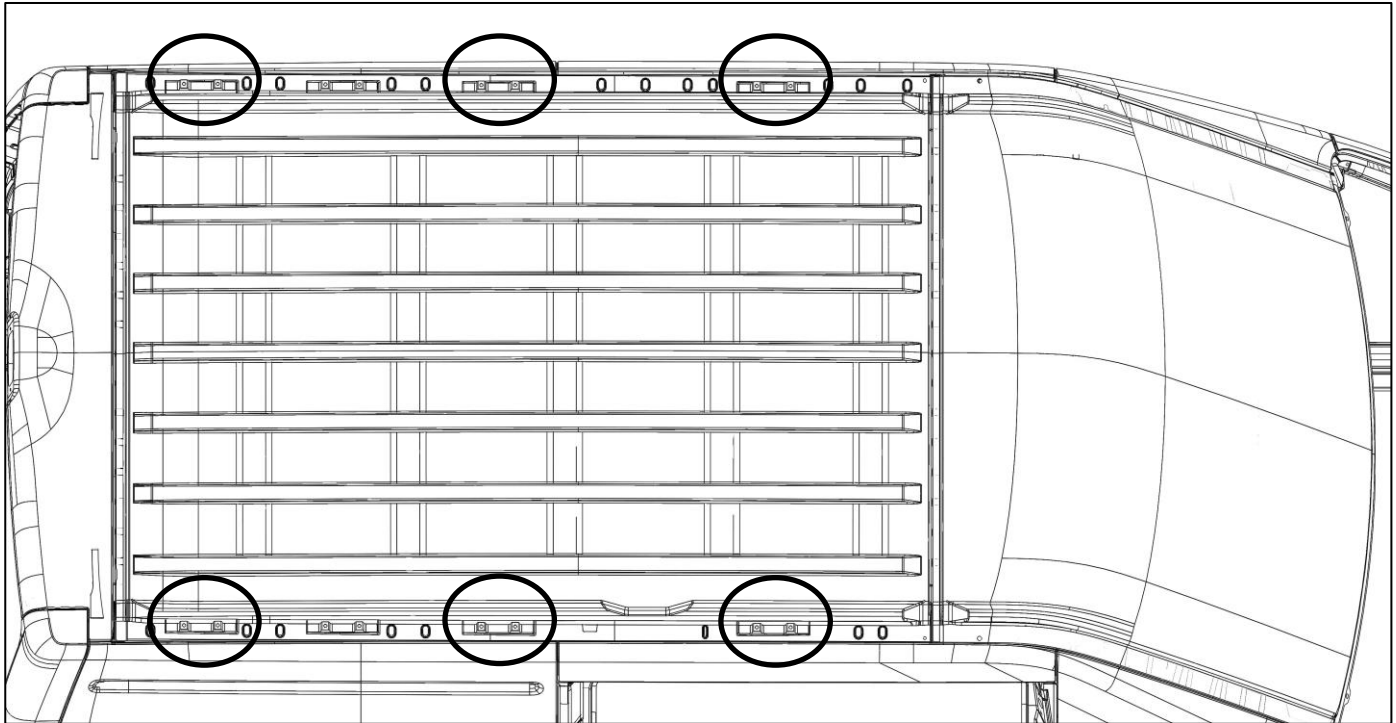


NV

Step 2 – Find Mount Locations on Roof of Van

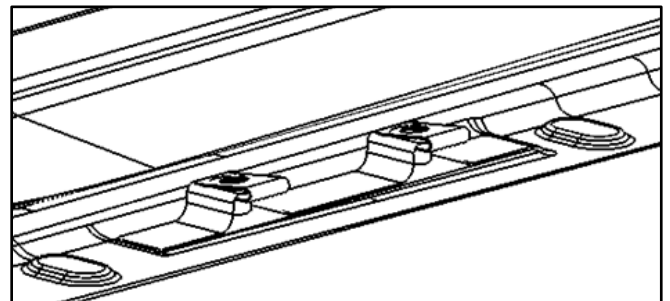
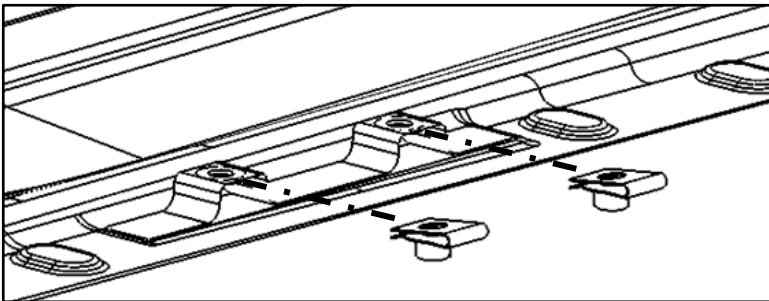
- Locate 6 total factory mounting locations on roof of van. It is best to select the rear most locations, forward most locations, and locations centered between.
- Mounting locations for different roof heights will vary.

NV 144 low roof typical mounting locations shown below.

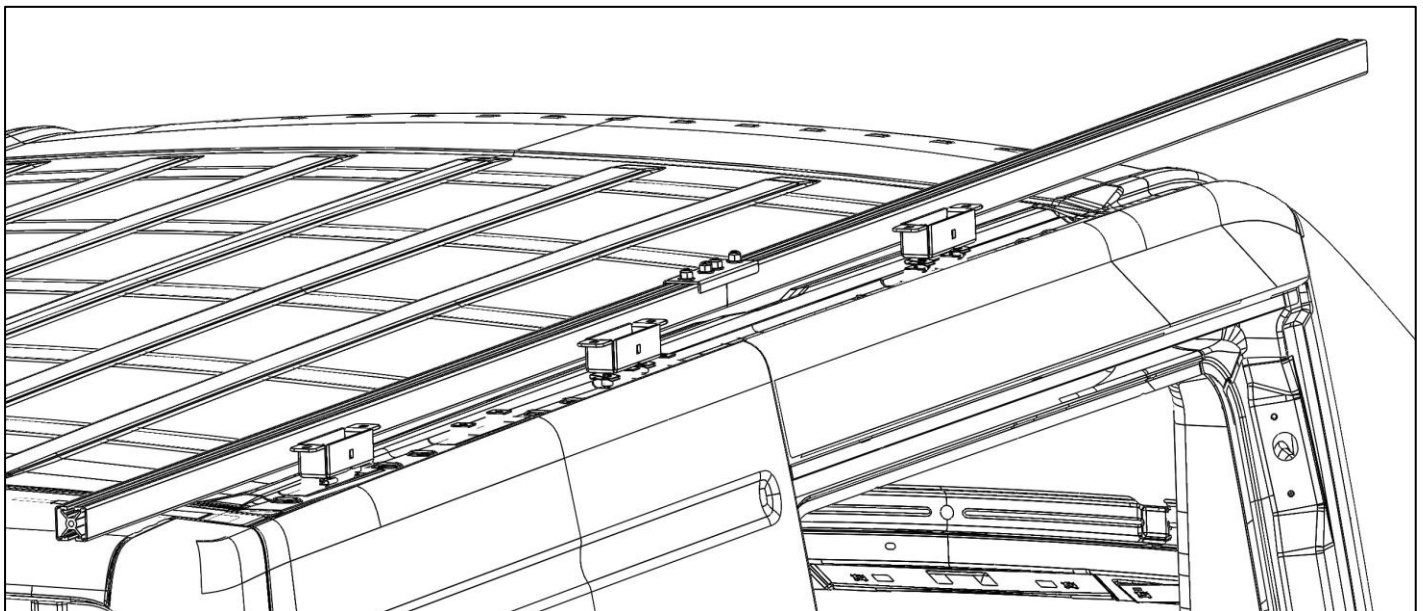
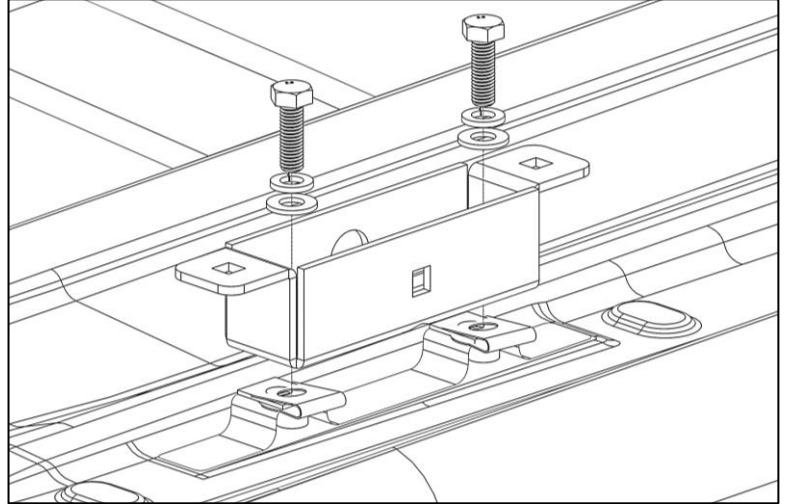


Step 3 – Install Mount Block

- Slide U-nuts over mounts on top of roof.

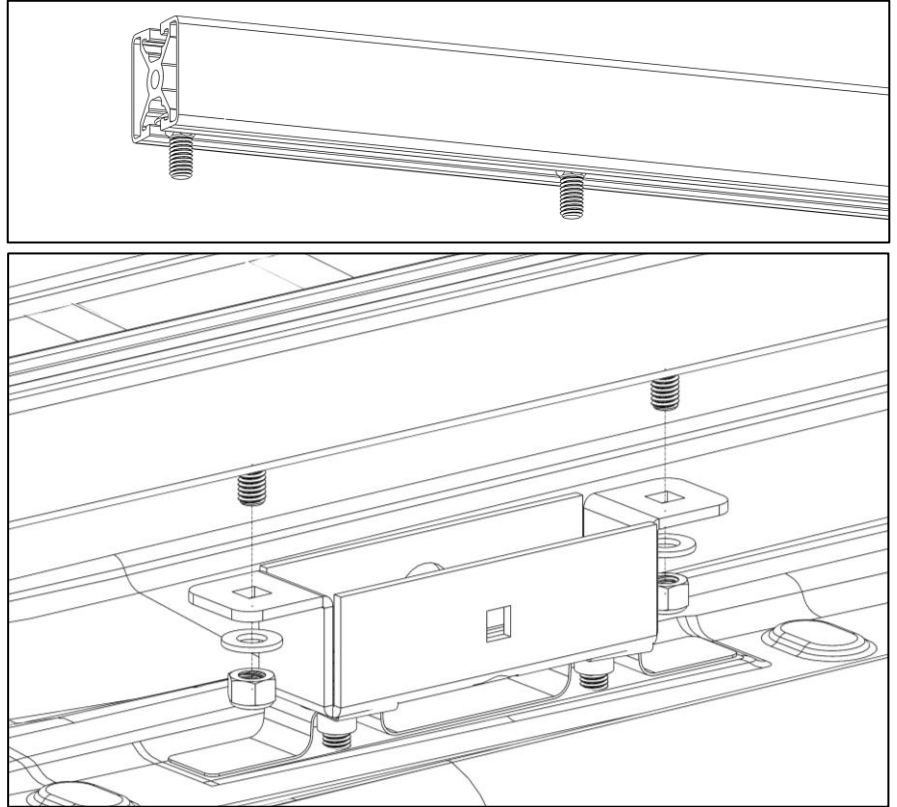


- For each mount block, use two M8 x 1-1/4" hex bolts, two 5/16" lock washers, and two 5/16" flat washers to bolt through the mount block into the U-nuts.
- Snug tighten but allow for movement.
- Insert end of carriage bolt through hole drilled in boss.
- Using a 5/16" fender washer and 5/16" lock nut, fasten clip, block, and pad to roof.
- Snug tighten but allow for movement.
- Repeat for other two locations on same side of vehicle.
- Hold preassembled extrusion against sides of mount block to align mount blocks as shown below.
- Keeping mount blocks aligned, tighten hardware to secure mount blocks to roof.
- Repeat for opposite side.



Step 4 – Install Extrusion

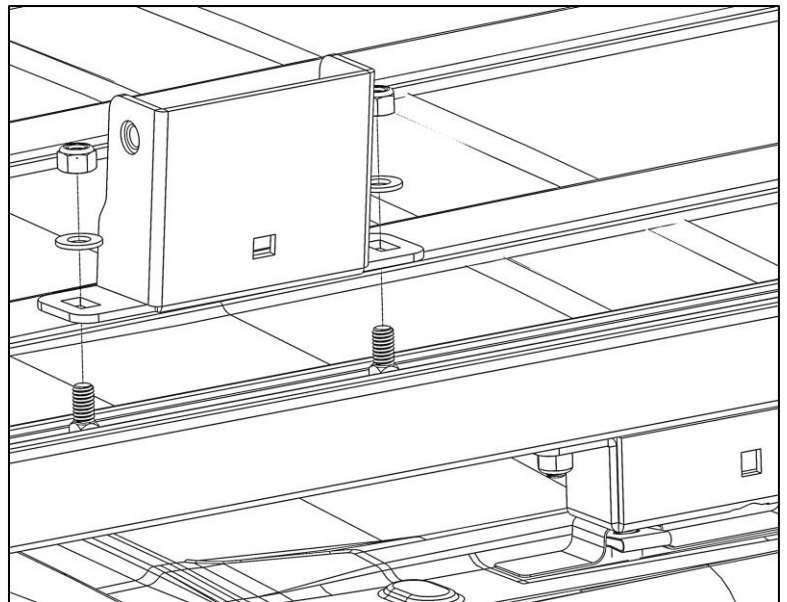
- For each mounting block, slide two 5/16" x 3/4" carriage bolts into the bottom slot of the extrusion.
- Set extrusion onto mounting blocks aligning carriage bolts with mounting blocks.
- Using two 5/16" washers and 5/16" lock nuts, bolt extrusion to mounting blocks.
- Snug tighten but allow for movement.
- Repeat on opposite side.



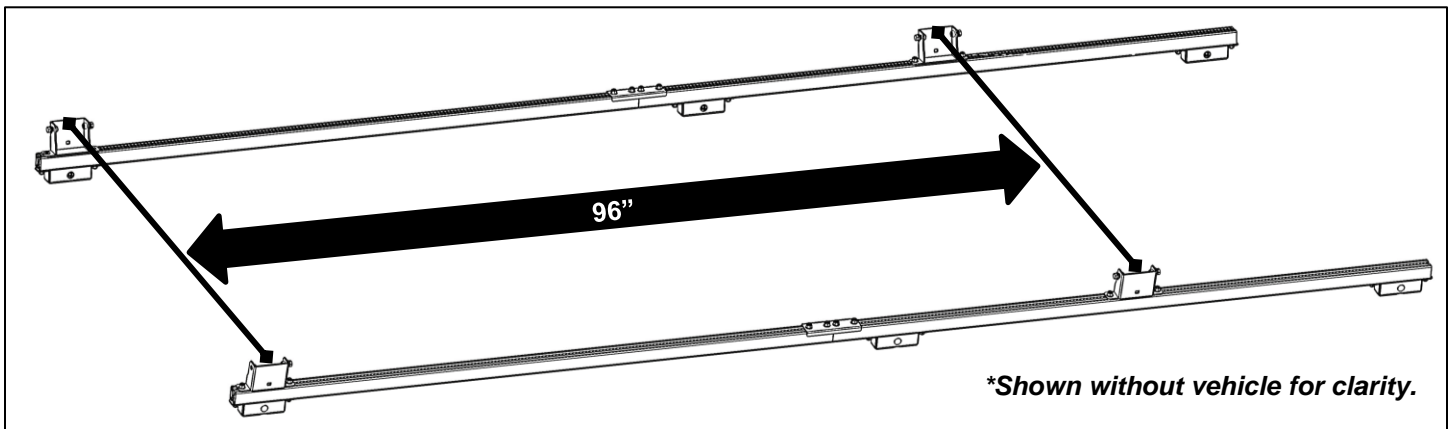
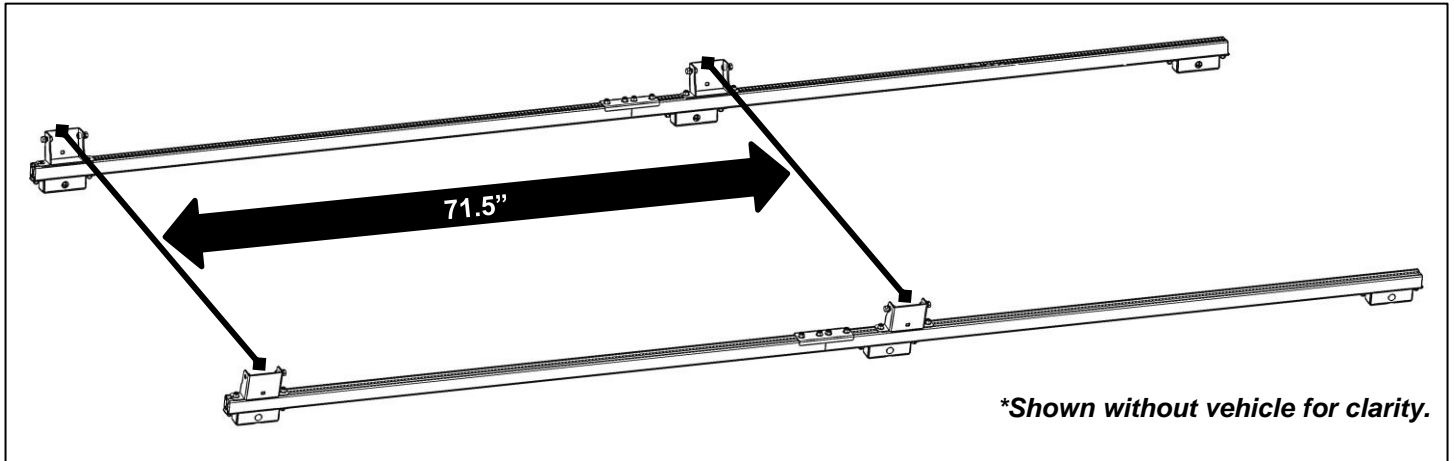
Step 5 – Install Feet

Depending on the van rack to be installed, the feet will be either center-to-center 71-1/2" apart or 96" apart, center-to-center.

- For each foot, slide two 5/16" x 3/4" carriage bolts into the top slot of the extrusion.
- Set foot onto extrusion aligning carriage bolts with mounting blocks.
- Using two 5/16" washers and 5/16" lock nuts, bolt extrusion to mounting blocks.
- Snug tighten but allow for movement. Feet location will be adjusted when installing ladder rack.
- Repeat on opposite side.



Example of feet 71-1/2" apart.

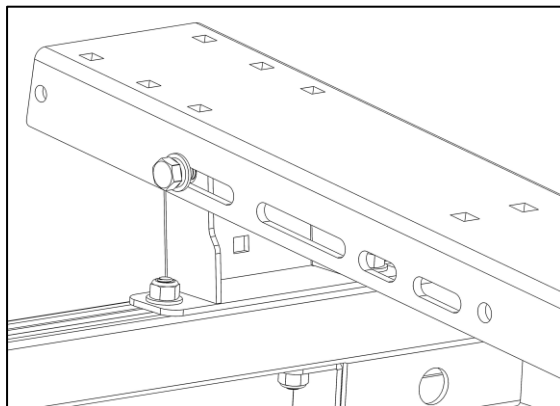
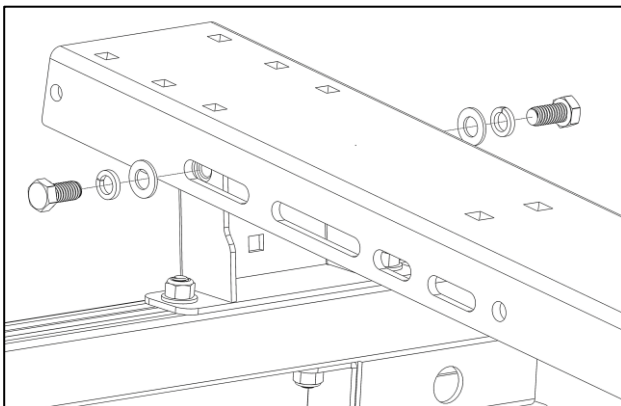


Example of feet 96" apart.

Step 6 – Mount Feet to Rack

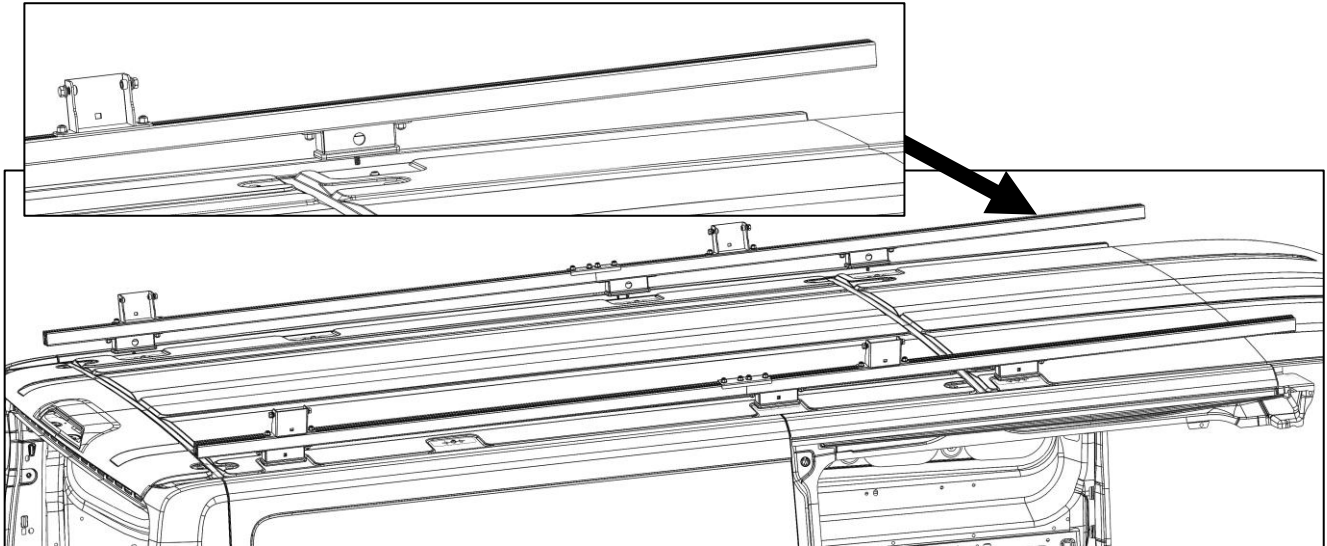
The hardware for installation of rack to feet is included with this kit.

- Follow the rack installation instructions to mount rack to feet.
- Attach rack to feet using the two 3/8" x 3/4" hex head bolts, two 3/8" lock washers, and two 3/8" flat washers provided.



Step 7 – Adjust Rail Length

- For shorter wheelbase vehicles, it may be desirable to cut off a length of the rail. It is best to determine desired length after rack installation and placement of feet at the distance apart required by the rack to be installed.



GO BACK AND TIGHTEN ALL HARDWARE.

DO NOT OVERTIGHTEN nuts securing PM mount clips to T-studs.

INSTALLATION IS NOW COMPLETE.