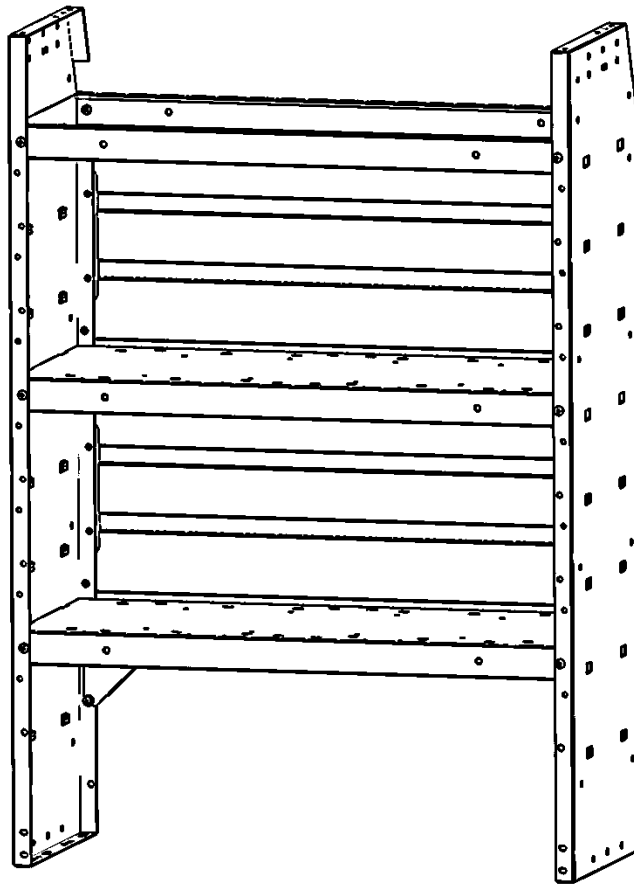


Holman

Assembly Guide

48320-48420-48520



Holman
Rancho Cordova, CA 95742
800-343-7486

InstallationSupport@Holman.com

PLEASE READ ALL INSTRUCTIONS AND WARNINGS PRIOR TO ASSEMBLING, INSTALLING, AND USING THIS PRODUCT.

Warning



Always check for wires, fuel tanks and lines, brake lines and other important vehicle functionality items prior to drilling and installing all products.

Table of Contents

| | |
|---------------------------------------|---|
| Tools Needed | 1 |
| Before You Begin | 1 |
| Parts List..... | 2 |
| Hardware | 2 |
| Step 1 – Install Bottom Shelf | 3 |
| Step 2 – Install Middle Shelf | 4 |
| Step 3 – Install Top Shelf..... | 5 |
| Step 4 – Install Left Side Panel..... | 5 |
| Step 5 – Install Gusset..... | 6 |
| Step 6 – Attach Back Panel..... | 6 |

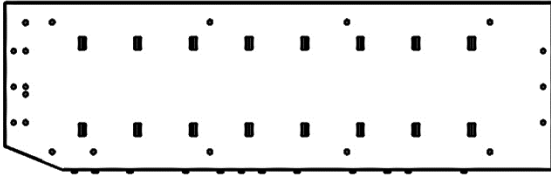
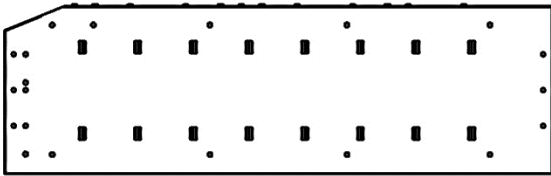
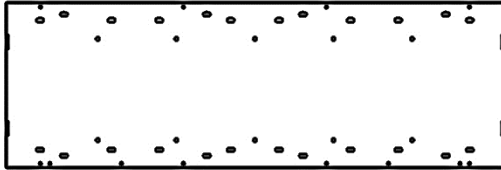
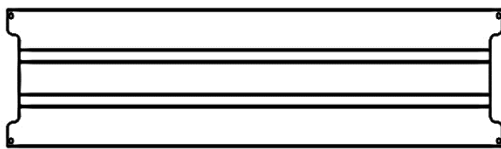
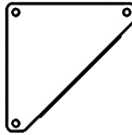
Tools Needed

| | |
|-------------------------|-------------------------|
| 7/16" Socket and Wrench | #2 Phillips Screwdriver |
|-------------------------|-------------------------|

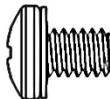

Before You Begin

- Read all instructions prior to assembling or installing any Holman product.
 - Instructions shown using a 46"H x 42"W Shelf. Instructions are the same for both 32"W and 52"W shelf units.
 - **Always locate your installation locations prior to performing any work.**
 - **ENSURE SAFETY WHILE INSTALLING OR DRILLING INTO VEHICLE.**
 - **Additional shelves may be purchased separately.**
-

Parts List

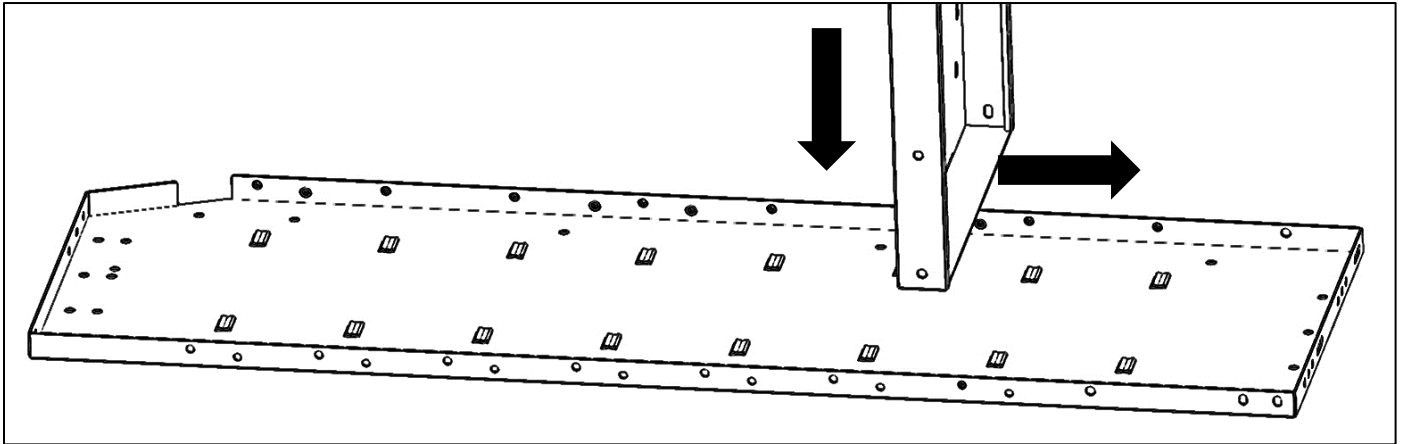
| ITEM NO. | ITEM | PART NUMBER | DESCRIPTION | QTY |
|----------|---|--|--------------------|-----|
| 1 |  | 48046-10 | 46"H RH SIDE PANEL | 1 |
| 2 |  | MIRROR48046-10 | 46"H LH SIDE PANEL | 1 |
| 3 |  | 48032-10 OR 48042-10 OR 48052-10 | 42" SHELF ASM | 3 |
| 4 |  | 48032-00-001 OR 48042-00-001 OR 48052-00-001 | 42" BACK PANEL | 2 |
| 5 |  | 48000-00-001 | GUSSET | 2 |
| 6 | | 4861 | SHELF MOUNTING KIT | 1 |
| 7 | | 18-48060 | ASSEMBLY HARDWARE | 1 |

Hardware

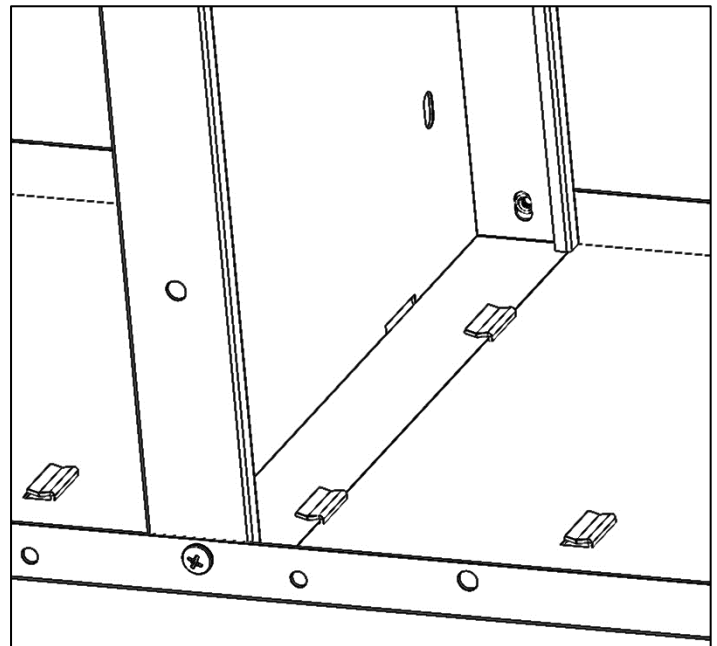
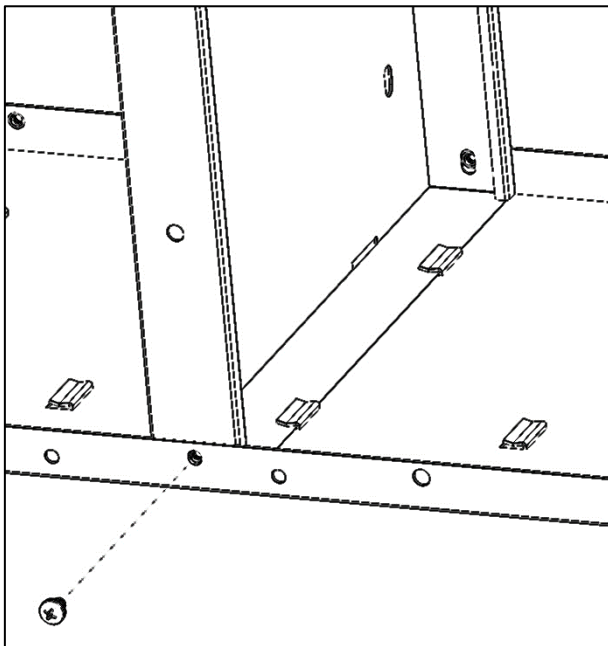
| ITEM | HARDWARE TO SCALE | PART NUMBER | DESCRIPTION | QTY. |
|------|---|-------------|--|------|
| 1 |  | 0147646 | 1/4"-20 x 3/8" PAN HEAD SCREW, INTERNAL TOOTH WASHER | 32 |
| 2 |  | 37337 | 1/4"-20 SERRATED FLANGE NUT | 4 |

Step 1 – Install Bottom Shelf

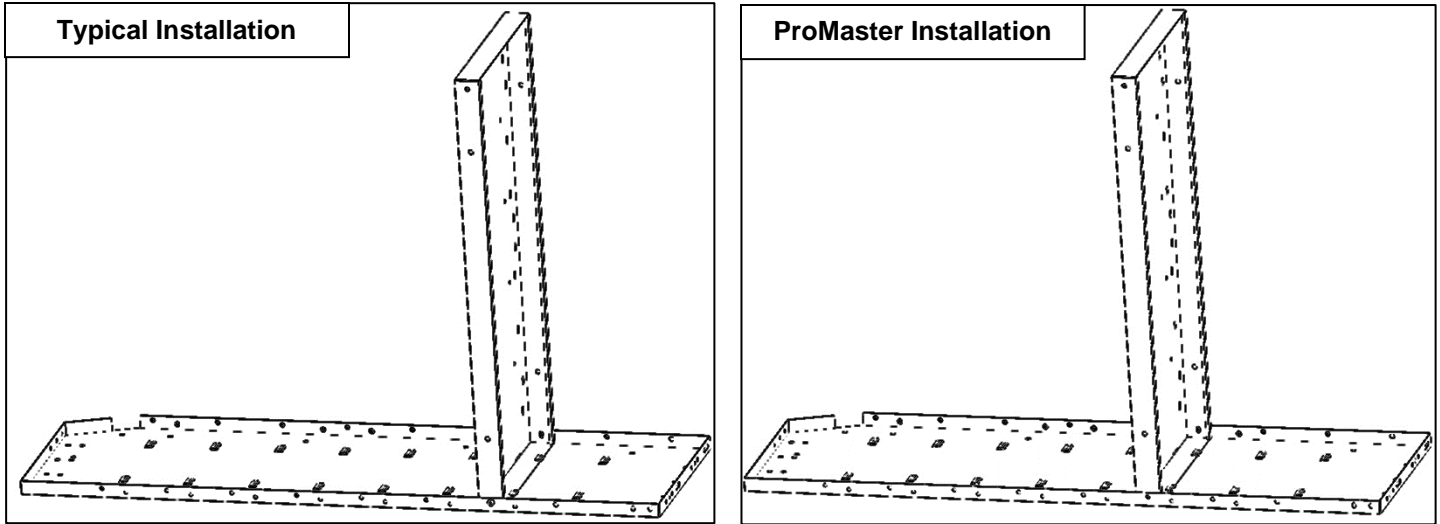
- **Decide which option you want for each shelf before attaching it to the side panels.**
- Shelves can be assembled with flanges pointing up to retain shelf contents, or flanges pointing down to allow the installation of drawer cabinets. The beveled corner of each shelf side is the rear of the shelf. Each shelf, front side only has nuts pressed into the shelf flange. **Make sure the shelf is oriented properly (nuts in front) before attaching.**
- Lay right side panel on a flat surface, using cardboard to protect the surface of the end panel.
- Insert shelf inside side panel.



- Press the shelf down firmly so that it is resting solidly and level on the lances in the shelf sides.
- Using one 1/4" x 3/8" pan head screw attach the **FRONT ONLY** of the shelf to the side panel.
- Snug tighten but allow movement.



NOTE: Image on the left reflects most applications. The image on the right shows the bottom shelf for a Ram ProMaster.

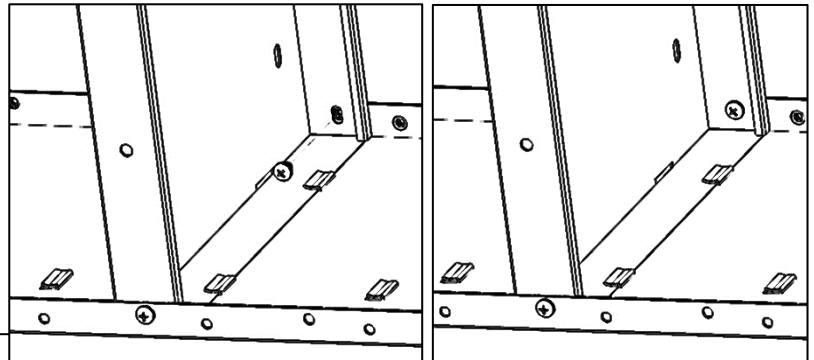


Step 2 – Install Middle Shelf

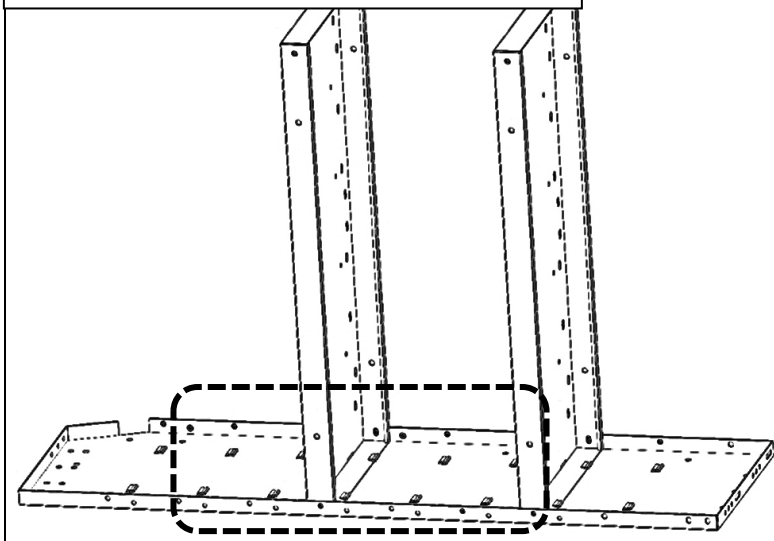
NOTE: There are multiple mounting locations for the middle shelf. Be sure to choose location prior to assembly.

NOTE: Additional shelves can be purchased separately. It is best to purchase additional shelves prior to assembly and install during initial assembly and installation.

- Repeat Step 1 for middle shelf as shown.
- Using two 1/4" x 3/8" pan head screws attach the front and rear of the shelf to the side panel.
- Snug tighten but allow movement.

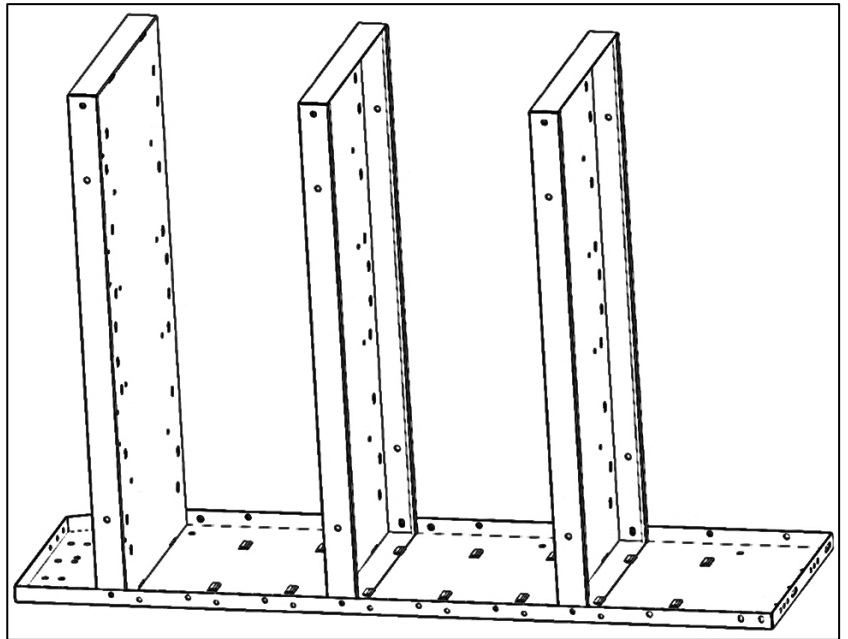


Multiple Mounting Locations Shown Below



Step 3 – Install Top Shelf

- Repeat Step 2 for top shelf as shown. **This shelf is shown with the flanges up, since this is the most common configuration for this shelf.**



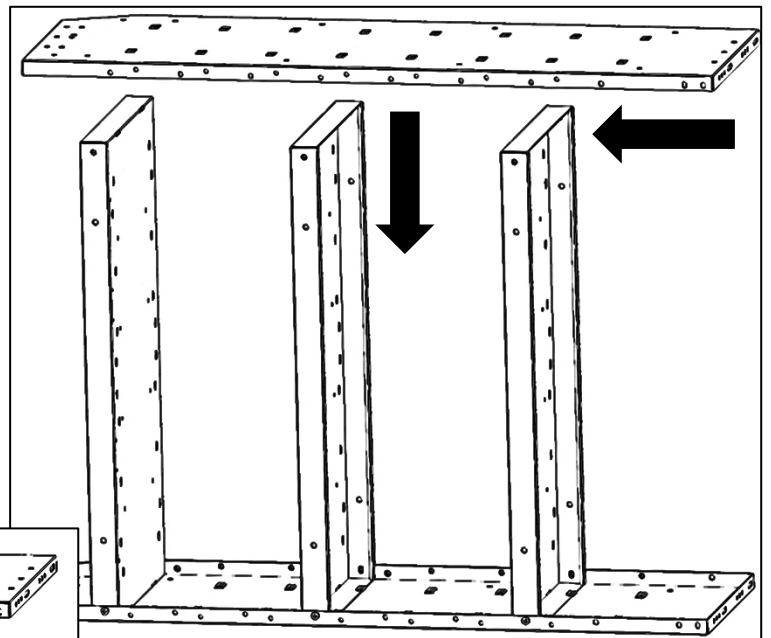
Step 4 – Install Left Side Panel

- Place left side panel on top of shelf panels.
- Press the shelf down firmly so that it is resting solidly and level on the lances in the shelf sides.

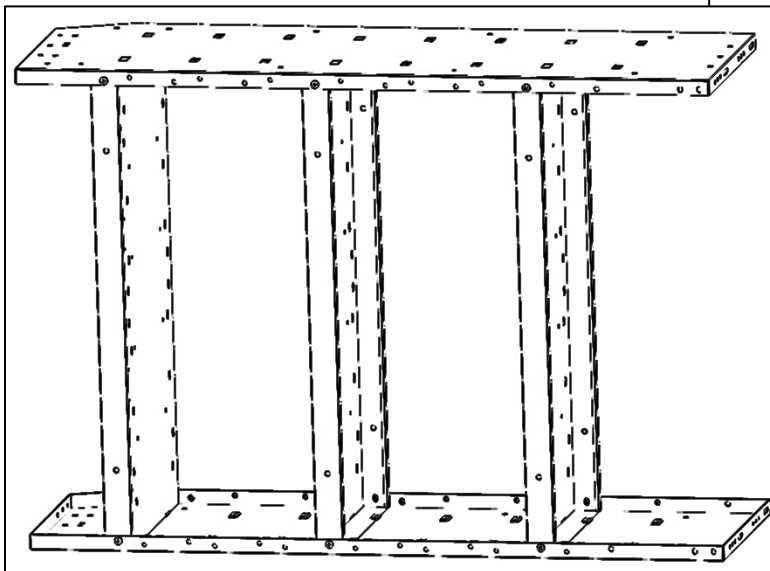
NOTE: Shelf must be properly squared or some holes may not align properly.

- Using five 1/4" x 3/8" pan head screws attach the shelves to the front and rear of the side panel.

NOTE: Leave the bottom rear shelf screw out until step 5.



- Snug tighten but allow movement.



Step 5 – Install Gusset

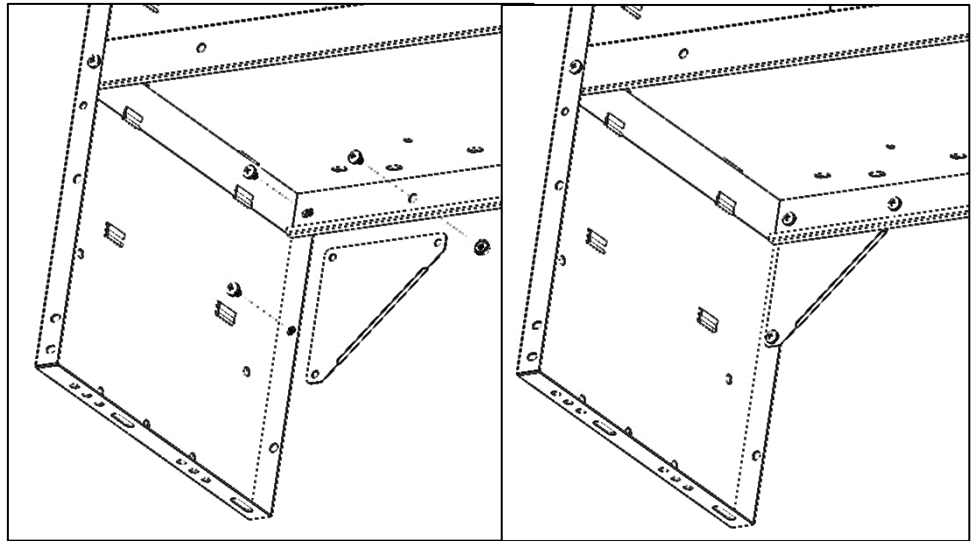
- In the corner of the bottom shelf, install support gusset.

- **Be sure to have the flange on the gusset towards the inside of the shelf.**

- Slide gusset between shelf side and the shelf panel installed in step 1.

- Using two 1/4" x 3/8" pan head screws bolt gusset to shelf side.

- Using one 1/4" x 3/8" pan head screw and one 1/4" flanged lock nut bolt gusset to shelf panel.

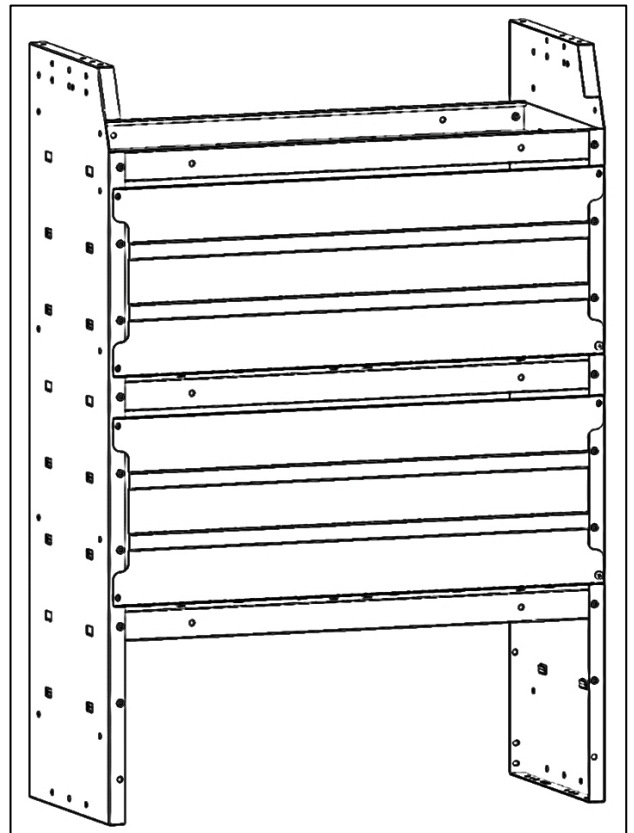
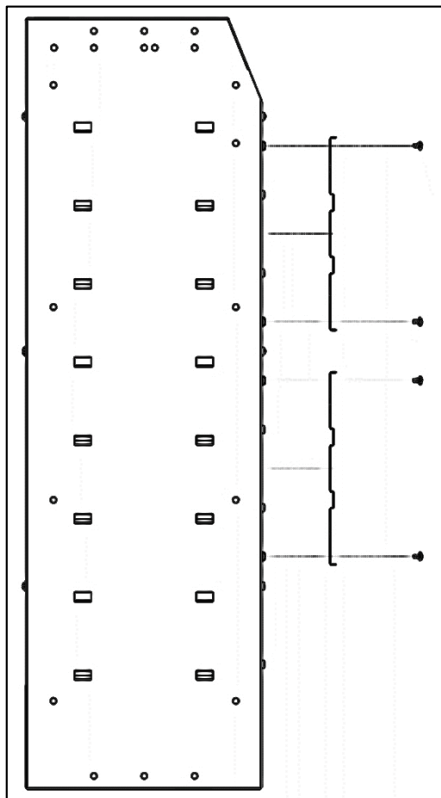


- Repeat on other side.
- Snug tighten but allow movement

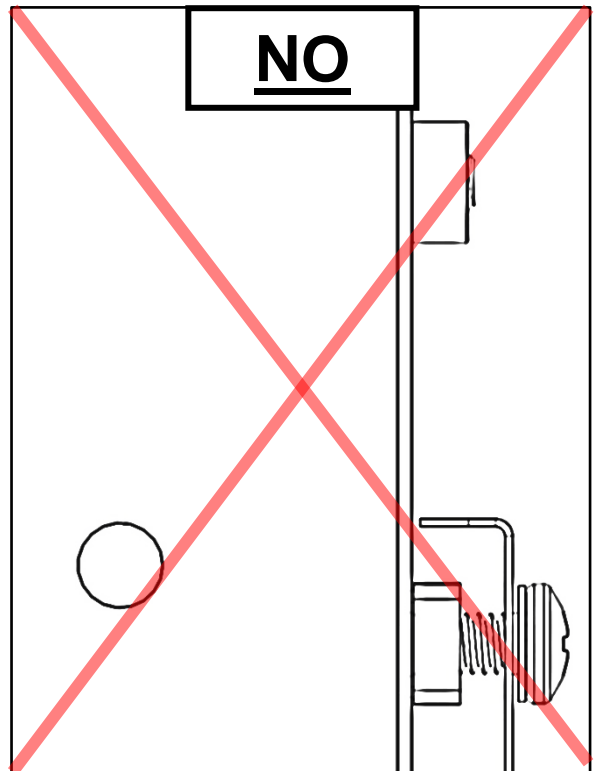
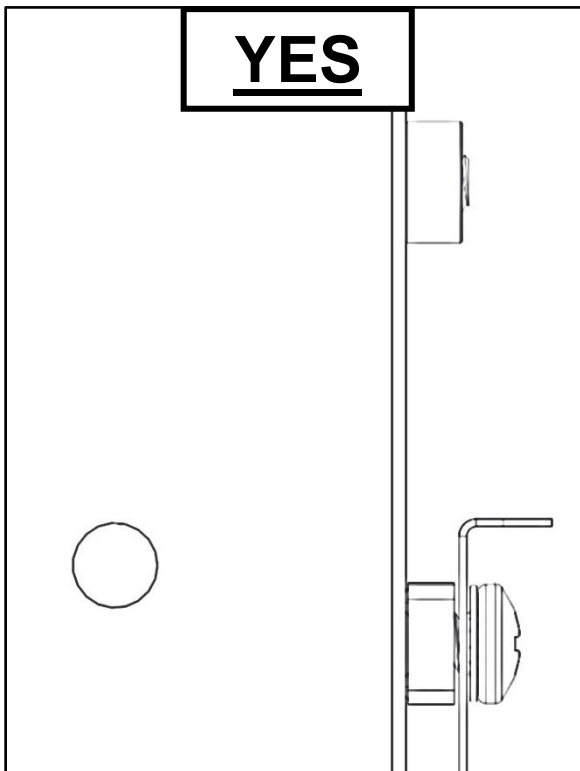
Step 6 – Attach Back Panel

- Attach both back panels to shelf side panels using eight 1/4" x 3/8" pan head screws in the orientation shown. **Be sure to install back panel in the correct orientation, as shown.**

- Snug tighten, but allow movement.



When installing the rear panels to the shelf assemblies, be sure the single lip flange is facing away from the shelf. If the rear panel is installed incorrectly, it may cause a rattle noise.



ALIGN AND SQUARE SHELF.
GO BACK AND TIGHTEN ALL HARDWARE.
ASSEMBLY IS COMPLETE.

