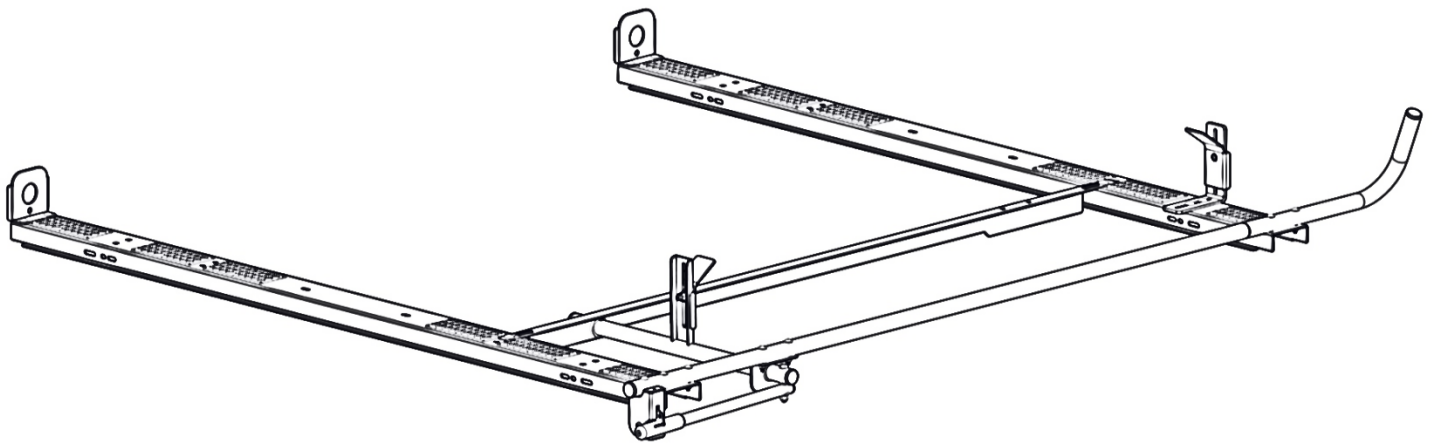


# Holman

---

## Instruction Guide 4A82L

---



---

Holman  
Rancho Cordova, CA 95742  
800-343-7486  
[InstallationSupport@Holman.com](mailto:InstallationSupport@Holman.com)

---

---

## PLEASE READ ALL INSTRUCTIONS AND WARNINGS PRIOR TO ASSEMBLING, INSTALLING, AND USING THIS PRODUCT.

---

### Warning



**DO NOT EXCEED MANUFACTURERS WEIGHT CAPACITY FOR ROOF.**



**BE SURE LADDER IS SECURE PRIOR TO TRANSPORTATION. Ladder stops MUST press against ladder in all situations.**

---

### Tools Needed

1/2", 9/16" Sockets and Wrench	1/2", 9/16" Box Wrenches
--------------------------------	--------------------------

---

### Table of Contents

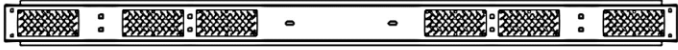

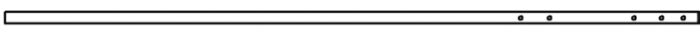


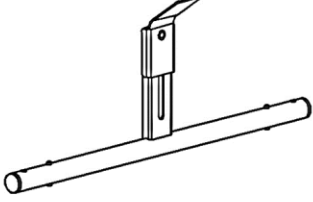


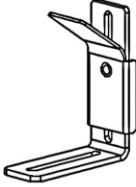

Parts List .....	2
Hardware.....	3
Hardware (Continued) .....	4
Step 1 – Install End Stops .....	4
Step 2 – Attach Bows to Feet .....	5
Step 3 – Install Side Tube .....	6
Step 4 – Install Hanger Bracket.....	7
Step 5 – Attach Clamp Tube and L-Bracket.....	8
Step 6 – Mount Handle.....	9
Step 7 – Mount Latch Assembly.....	10
Step 8 – Install Ladder Hook to Bow .....	10
Angle Pad Orientations and Locations .....	12
Clamp Mechanism Orientation and Angled Pad Positions .....	12

---

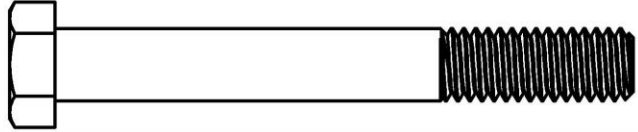
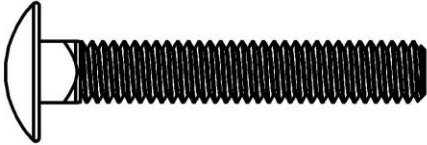
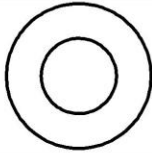

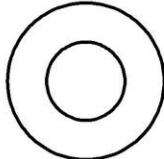
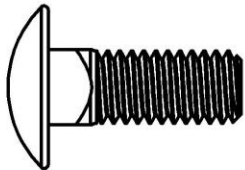
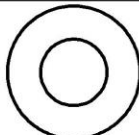

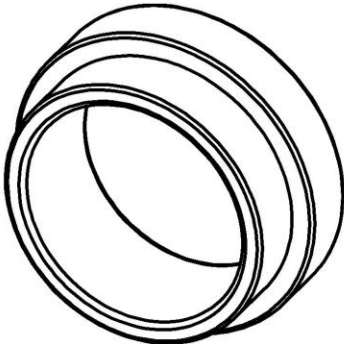
### Before You Begin

- Read all instructions prior to assembling or installing any Holman product.
- Have vehicle specific mount kit installed on vehicle.
- Most times it is easier to assemble on top of the roof, after the mount kit has been installed.
- **DO NOT EXCEED MANUFACTURERS WEIGHT CAPACITY FOR ROOF.**
- **Be sure to adjust ladder clamps accordingly to secure ladder firmly to rack. To adjust, refer to Clamp and Lock adjustment guide.**

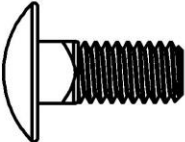
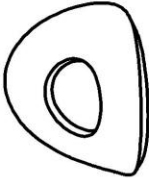
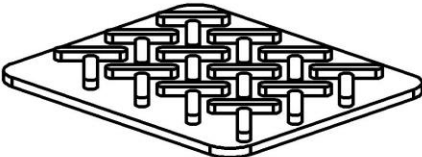

## Parts List

NO.	ITEM	PART NUMBER	DESCRIPTION	QTY.
1		4A90L-11	BOW ASSEMBLY	2
2		4A800-52-R	SIDE SUPPORT BAR	1
3		4A800-51	SIDE TUBE ASM	1
4		4A800-00-003-R	CLAMP AND LOCK L BRACKET	1
5		4A900-10-008	END STOP	2
6		4A800-30	CLAMP TUBE	1
7		11-03027-A	HANGER ANGLE BRACKET	1
8		4A800-20	LATCH ASM	1
9		4A800-60	LADDER STOP ASSEMBLY	1
10		4A800-40	HANDLE	1
11		18-4A800	ALUMINUM CLAMP N LOCK ASSEMBLY HARDWARE	1

## Hardware

ITEM NO.	TO SCALE	PART NUMBER	DESCRIPTION	QTY.
1		91247A636	3/8" x 3" Hex Head	1
2		90185A591	5/16" x 2" Carriage Bolt	7
3		90295A170	3/8" Nylon Washer	1
4		95615A140	3/8" Lock Nut	5
5		90126A031	3/8" Flat Washer	5
6		90185A624	3/8" x 1" Carriage Bolt	4
7		90126A030	5/16" Flat Washer	11
8		95615A160	5/16" Lock Nut	11
9		40800-10-007	Nylon Bushing	2

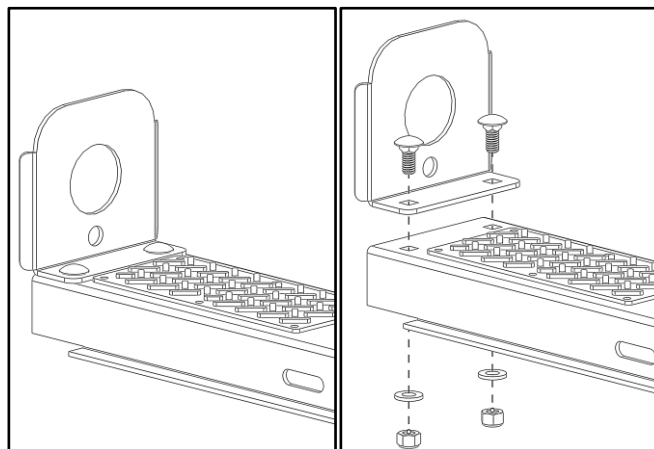
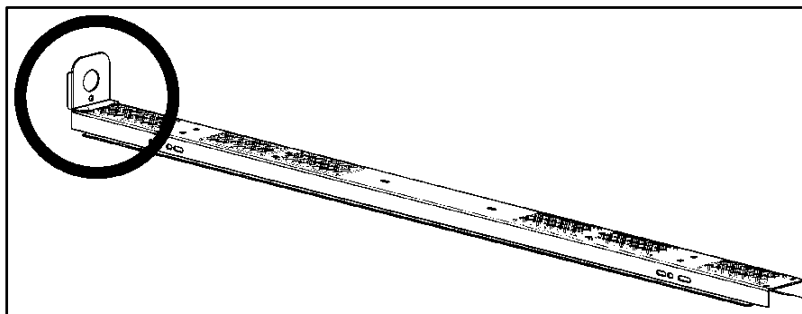
## Hardware (Continued)

ITEM NO.	TO SCALE	PART NUMBER	DESCRIPTION	QTY.
10		90185A581	5/16" x 3/4" Carriage Bolt	4
11		91844A370	3/8" Contour Washer	1
12		Extra Rubber Pad-Cross Hatch	PAD, PAN, LOWER, SELF-ADHESIVE, SCALE 1:2	1
		60ml - SEALANT	SEALANT	1

## Step 1 – Install End Stops

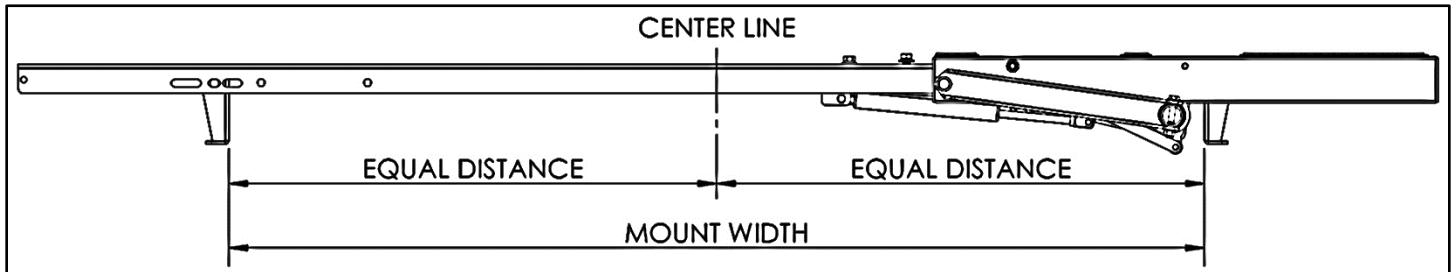
Skip this step if installing a drivers side ladder rack.

- Bolt end stops to one end of each bow using 5/16" x 3/4" carriage bolts, 5/16" washers and 5/16" lock nuts in the location and orientation shown.
- TIGHTEN.

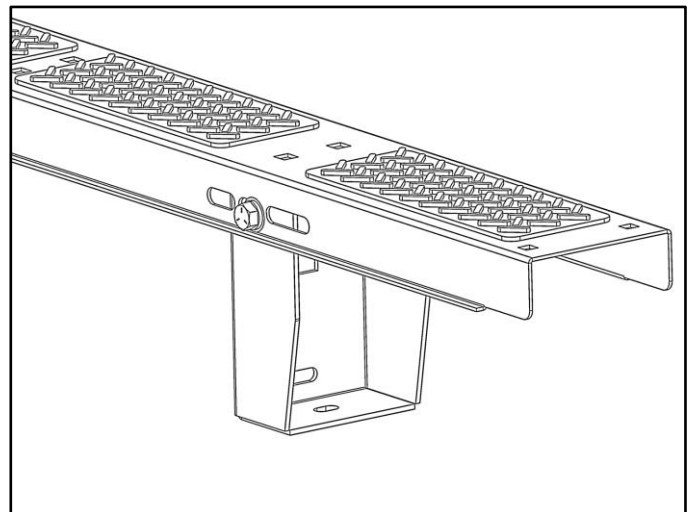
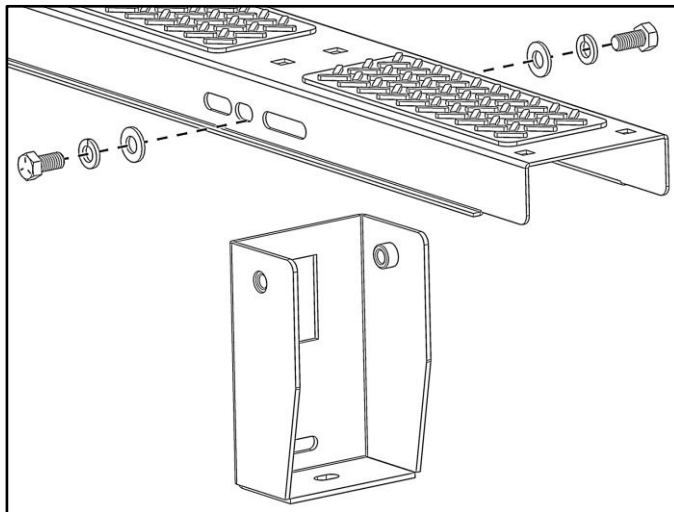
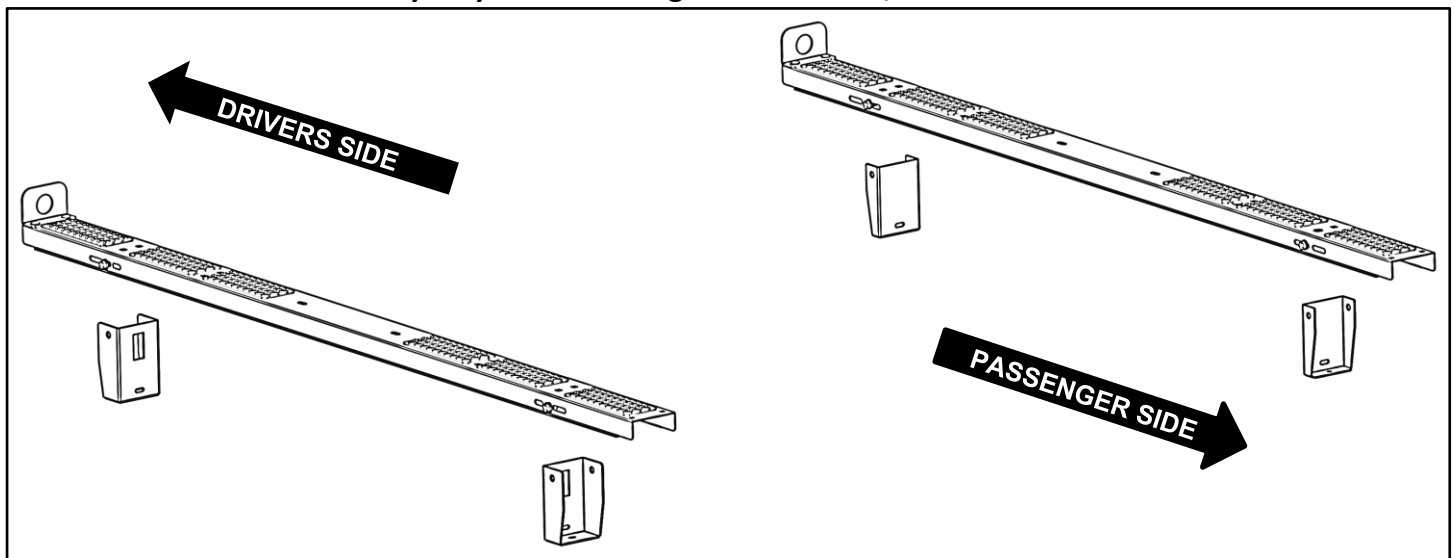


## Step 2 – Attach Bows to Feet

- Have the vehicle specific mounting installed on the vehicle.
- Place each bow on top of the feet in the orientation shown. The driver side of the bow is the side with the end stops installed.
- Center the bow on the van and the feet. Use the hardware from the mount kit to attach the bow to the feet.
- TIGHTEN.

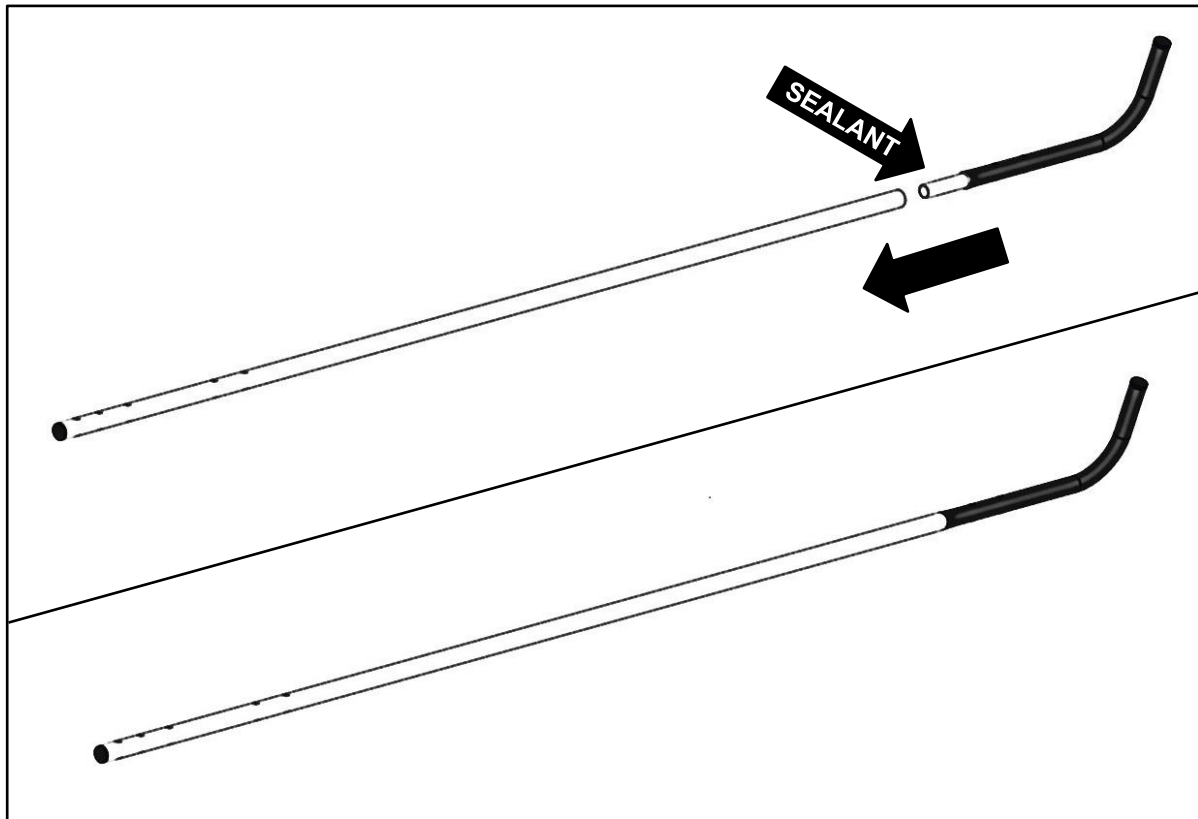


**\*\*Bows and feet may vary from the image shown below, but the installation is the same\*\***

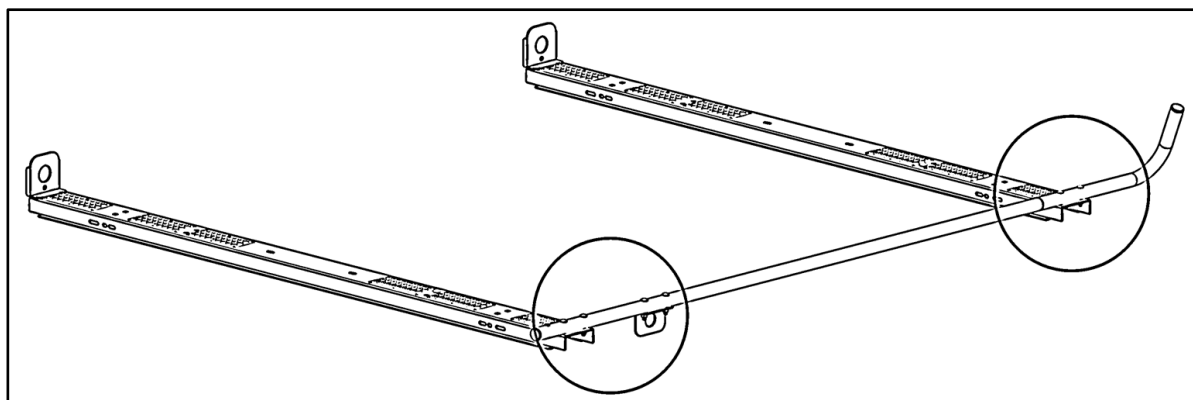


## Step 3 – Install Side Tube

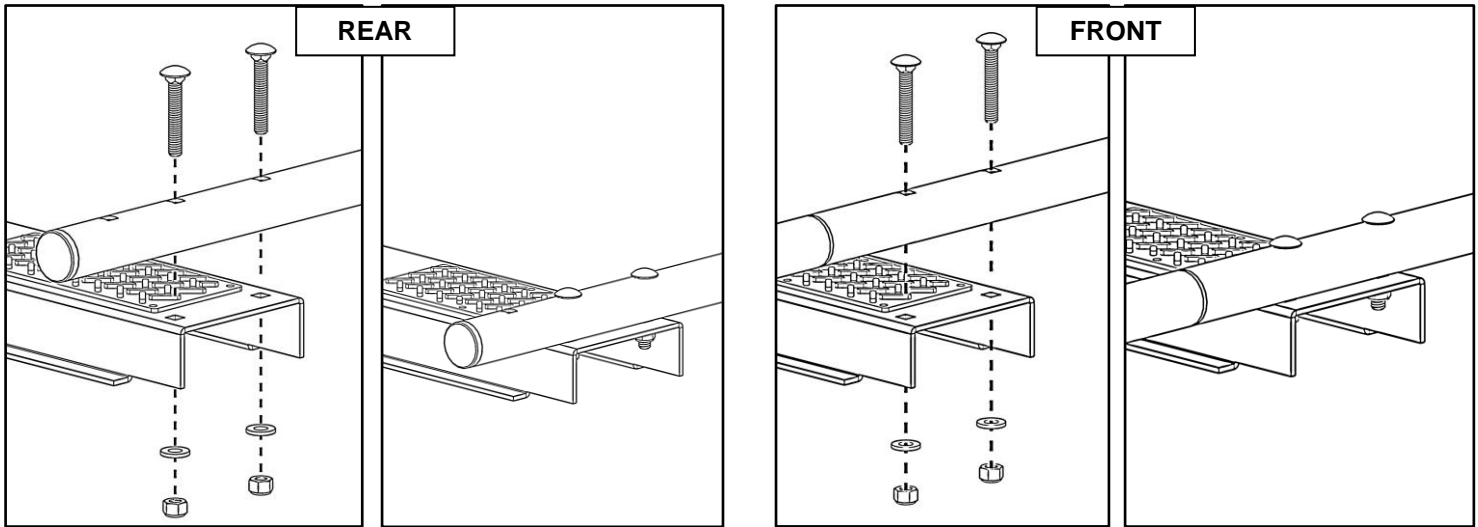
- Place sealant around swaged end of side support bar.
- Slide side support bar into side tube assembly. **Be sure the holes in each line up.**



- Place side tube assembly on top of the installed bows.
- Have the bend towards the front and to the outside of the vehicle.

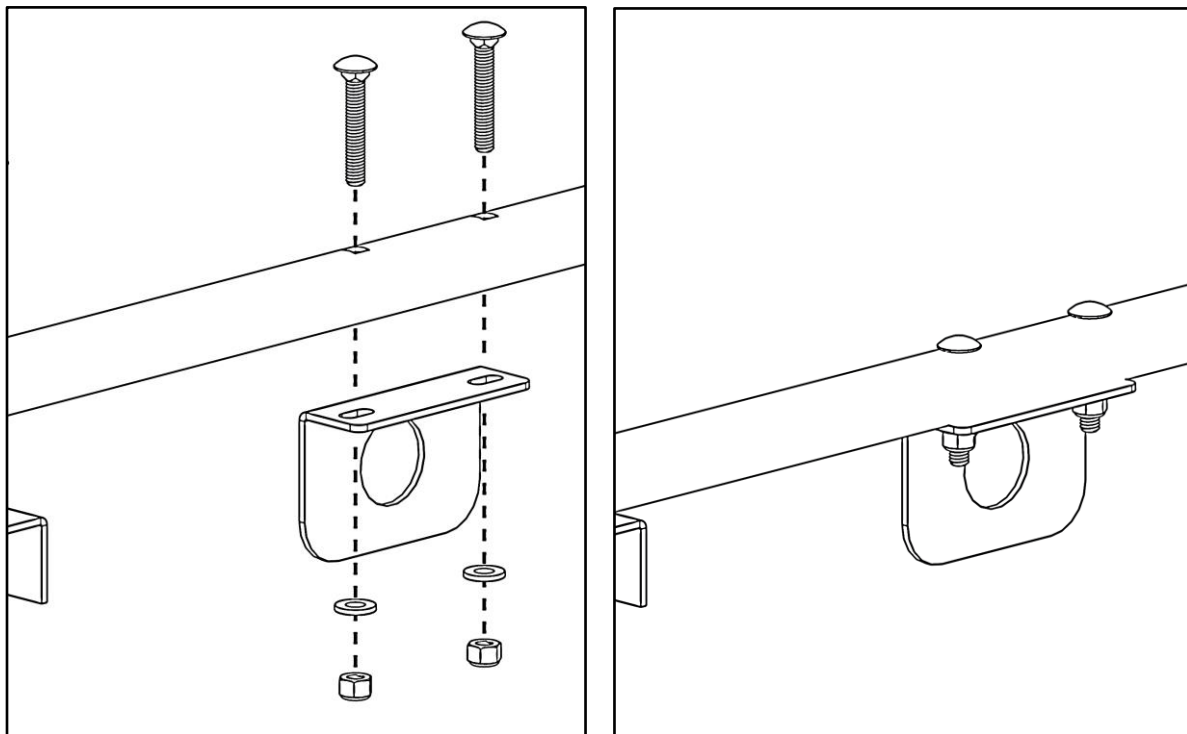


- Using 5/16" x 2" carriage bolts, 5/16" flat washers and 5/16" lock nuts, fasten the side tube assembly to both pans. **Be sure to leave one square slot open at the rear of the side tube.**
- Snug tighten, but allow movement.



## **Step 4 – Install Hanger Bracket**

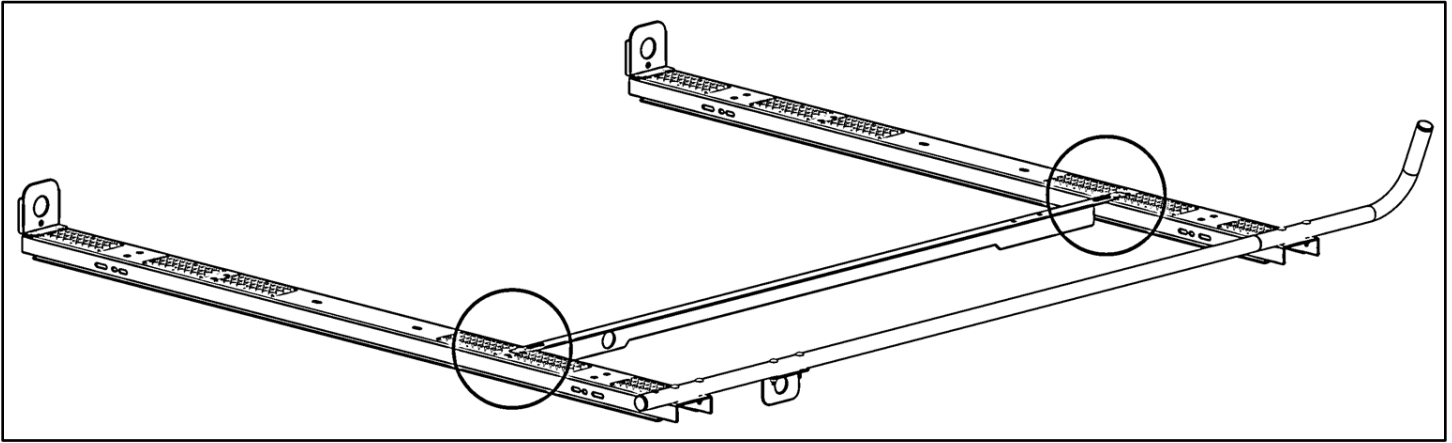
Using 5/16" x 2" carriage bolts, 5/16" flat washers and 5/16" lock nuts, bolt the angle bracket to the underside of the side tube as shown. **Be sure the downward flanges is towards center of vehicle and downwards.**



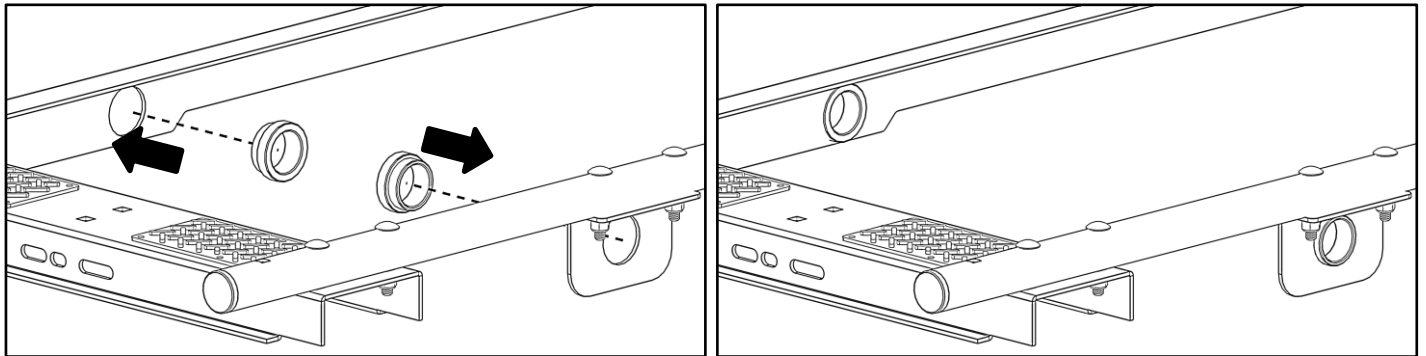


## Step 5 – Attach Clamp Tube and L-Bracket

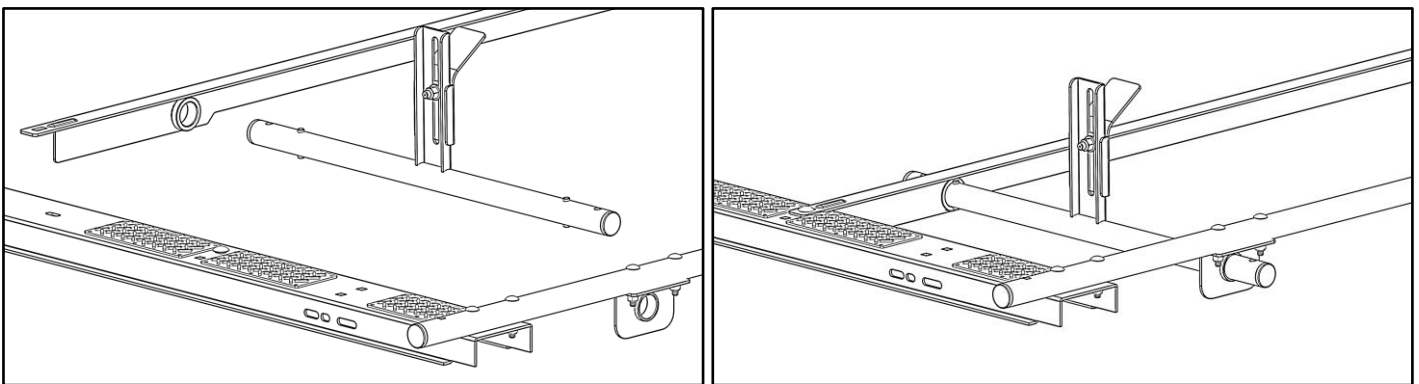
- Place clamp and lock L bracket on top of installed bows. **Be sure to have the long flange of the L bracket to the center of the vehicle.**



- Insert the plastic bushings into the clamp and lock L bracket and angle bracket installed in Step 5, with flange towards each other and to the inside as shown.

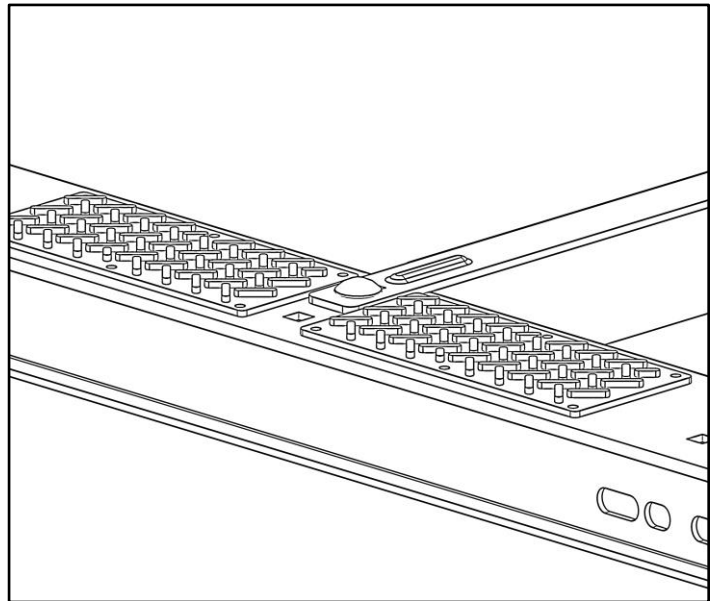
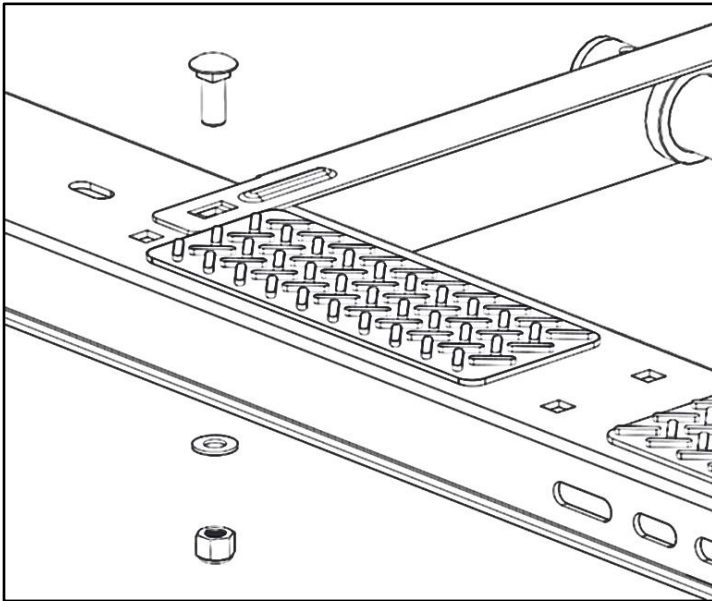


- Insert clamp tube into both plastic bushings in the orientation shown. **Be sure to install the bushings in an orientation so they CANNOT fall out.**



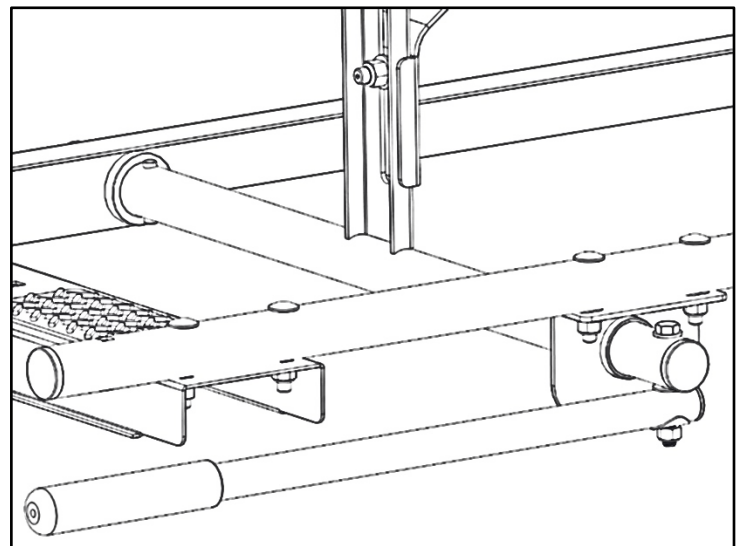
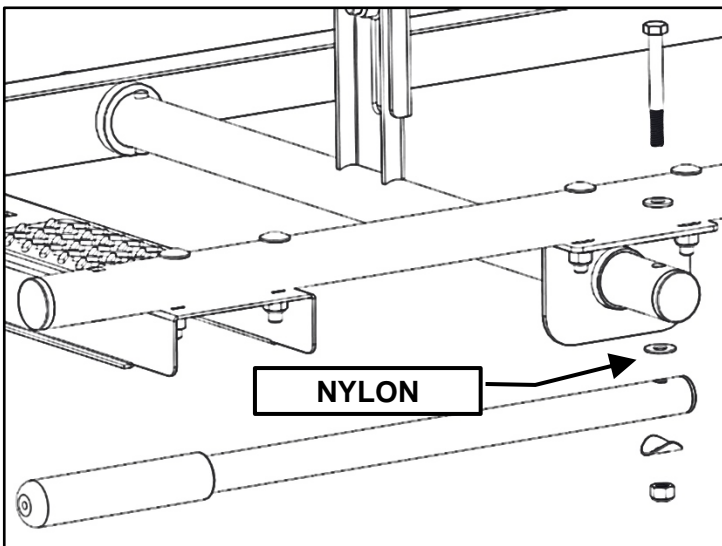
Ladder clamp on the clamp tube is adjustable. When finished installing rack, clamp must be adjusted to fit firmly against ladder.

- Bolt clamp and lock L bracket to both bows using 3/8" x 1" carriage bolts, 3/8" flat washers and 3/8" lock nuts as shown.
- Repeat on opposite bow.
- TIGHTEN.



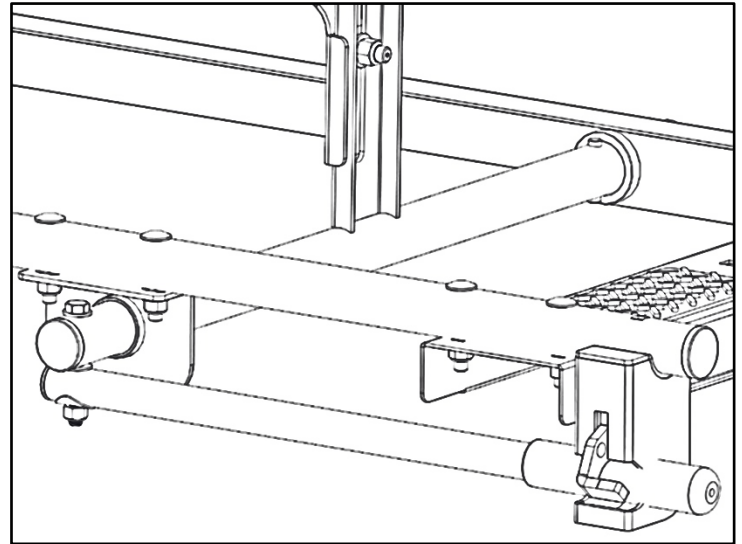
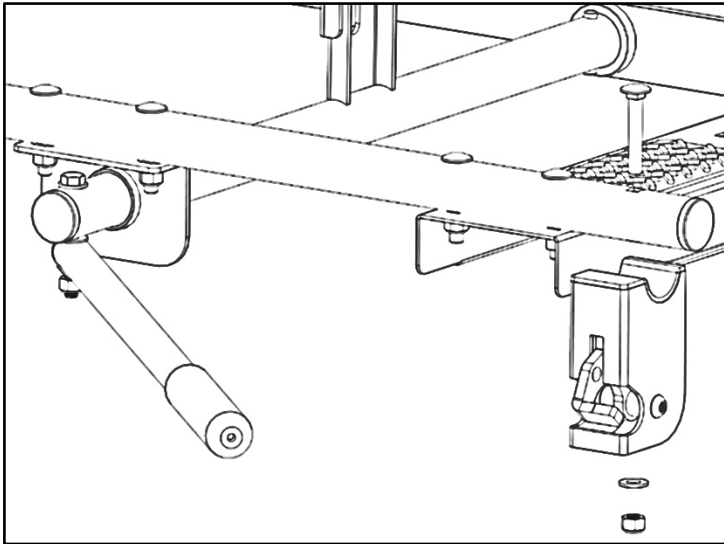
## **Step 6 – Mount Handle**

- Bolt handle to clamp tube using a 3/8" x 3" hex head, 3/8" flat washers, 3/8" nylon washer, 3/8" curved washer and a 3/8" lock nut. The nylon washer goes in between the clamp tube and handle.
- TIGHTEN.



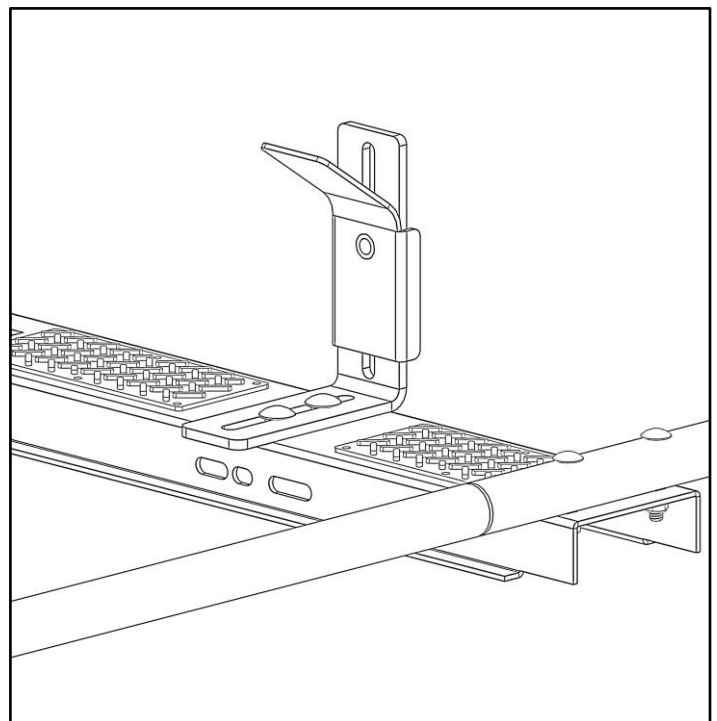
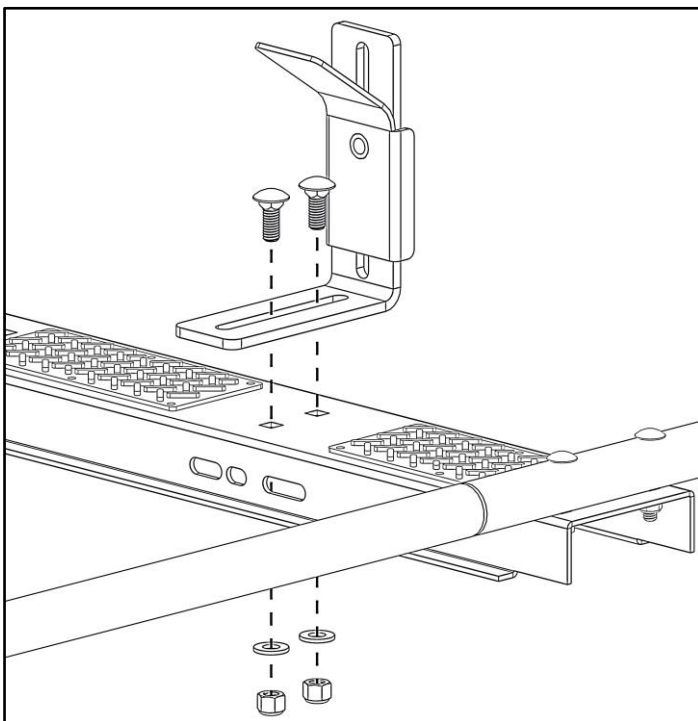
## Step 7 – Mount Latch Assembly

- Bolt latch to the rear of the mount tube that was installed in Step 5 using 5/16" x 2" carriage bolt, 5/16" curved washer and a 5/16" lock nut.
- TIGHTEN.



## Step 8 – Install Ladder Hook to Bow

- Bolt the ladder hook bracket to the front bow in the orientation shown using two 3/8" x 1" carriage bolts, two 3/8" flat washers and two 3/8" lock nuts.
- TIGHTEN.
- **Adjust ladder hooks to fit ladder.**

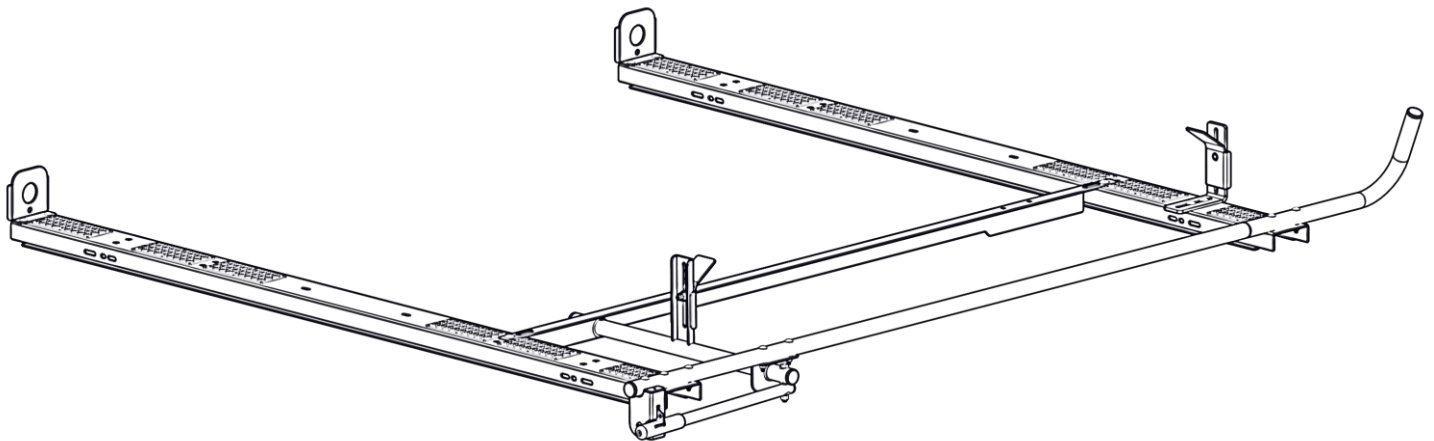


**GO BACK AND ENSURE ALL HARDWARE IS TIGHT.**

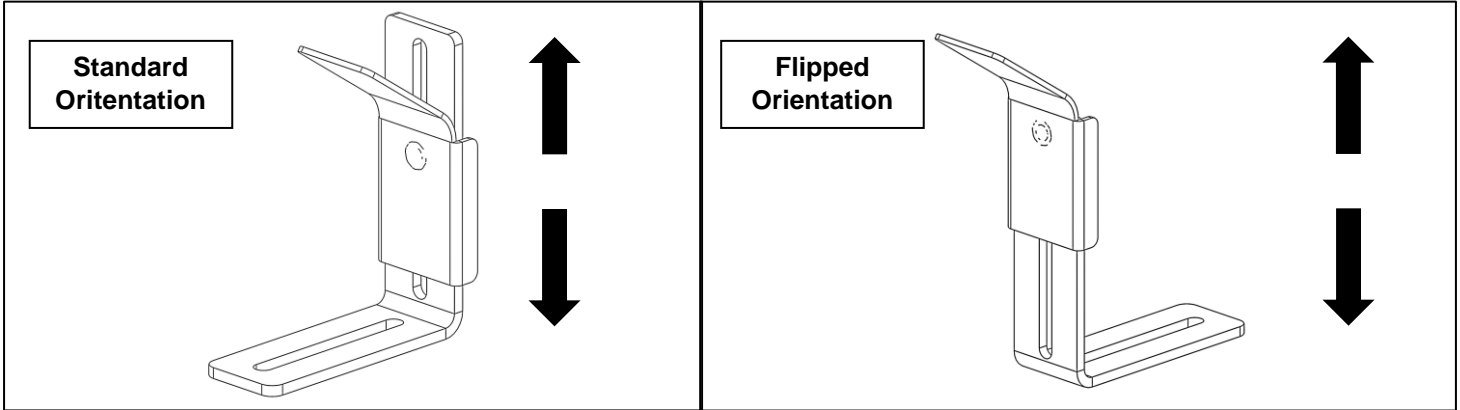
**YOUR INSTALLATION IS NOW COMPLETE.**

**Refer to the Clamp and Lock Adjustment instructions to adjust the rack to your ladder.**

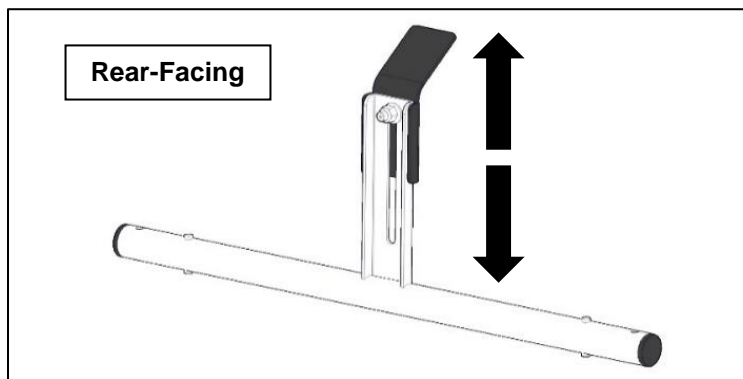
**ALWAYS BE SURE LADDER IS SECURE PRIOR TO TRANSPORTATION.**



## Angle Pad Orientations and Locations

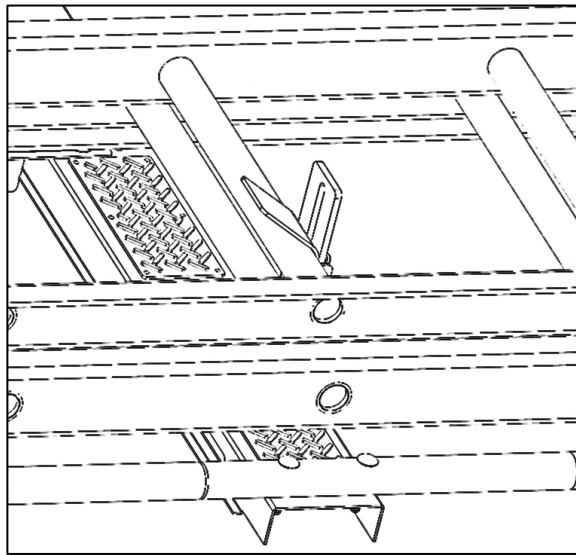
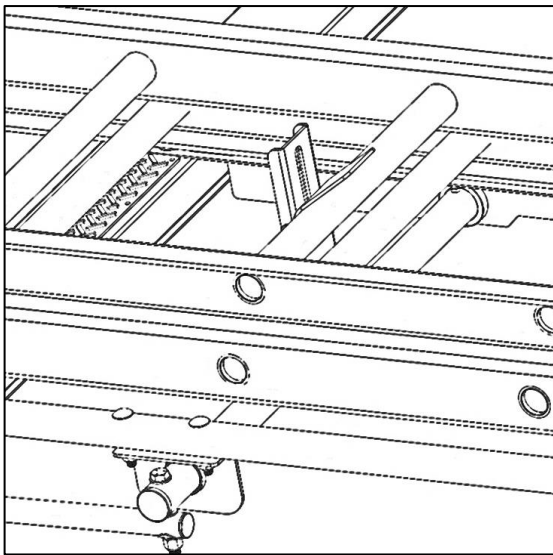


## Clamp Mechanism Orientation and Angled Pad Positions



## Examples of Ladder Clamps Firmly Against Ladder Rungs

- Be sure to position the ladder hook in a way so the hook clamps the ladder tight into place. A tight fit ensures the ladder cannot fall off the rack.



**BE SURE THE LADDER HOOKS ARE FIRMLY AGAINST THE LADDER STEPS OR RUNGS.**