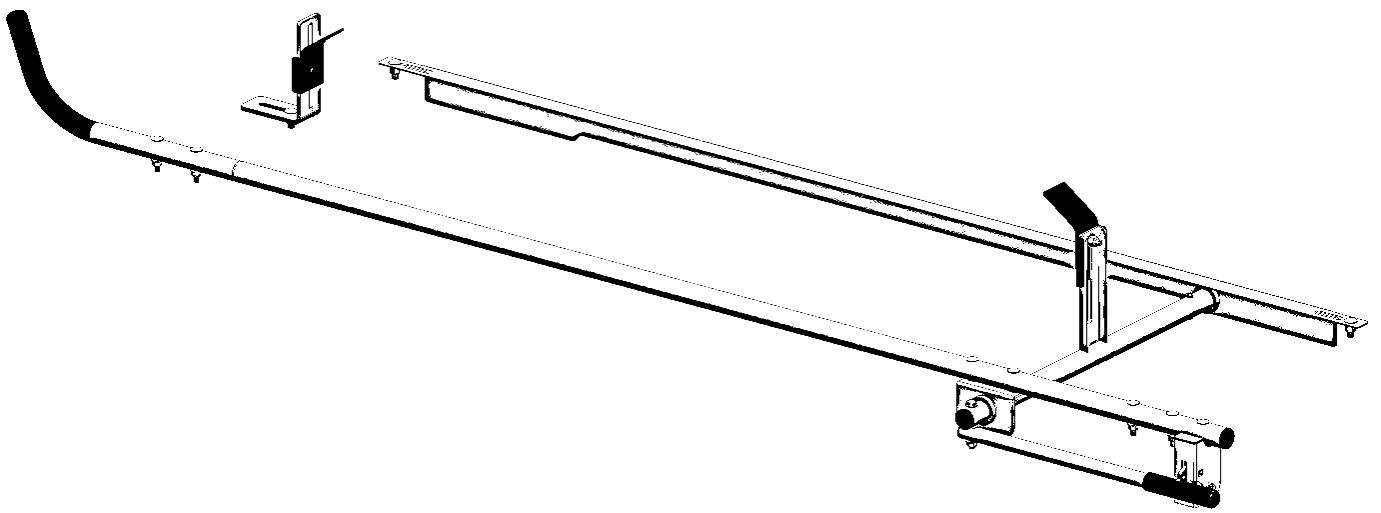


# Holman

---

## Instruction Guide 4A85L

---



---

Holman  
Rancho Cordova, CA 95742  
800-343-7486  
InstallationSupport@Holman.com

---

**PLEASE READ ALL INSTRUCTIONS AND WARNINGS PRIOR TO ASSEMBLING,  
INSTALLING, AND USING THIS PRODUCT.**

**Warning**



**DO NOT EXCEED MANUFACTURERS WEIGHT CAPACITY FOR ROOF.**



**BE SURE LADDER IS SECURE PRIOR TO TRANSPORTATION. Ladder stops MUST press against ladder in all situations.**

**Tools Needed**

1/2", 9/16" Sockets and Wrench	1/2", 9/16" Box Wrenches
--------------------------------	--------------------------


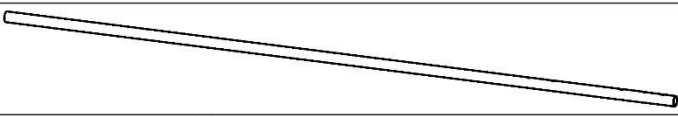


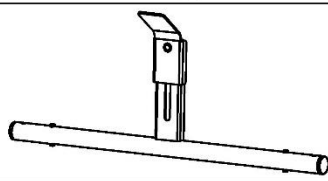

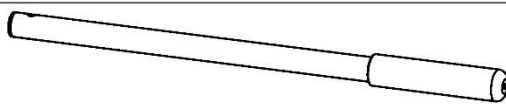
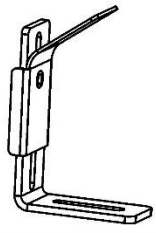
**Table of Contents**

Before You Begin .....	1
Parts.....	2
Hardware .....	3
Step 1 – Remove End Stops .....	4
Step 2 – Assemble Side Tube .....	4
Step 3 – Install Side Tube .....	5
Step 4 – Install Hanger Bracket .....	6
Step 5 – Install Clamp Tube.....	6
Step 6 – Install Latch Assembly.....	7
Step 7 – Attach Handle .....	8
Step 8 – Mount Ladder Hook Bracket to Bow .....	8
Angle Pad Orientations and Locations .....	10
Clamp Mechanism Orientation and Angled Pad Positions .....	10
Examples of Ladder Clamps Firmly Against Ladder Rungs .....	10

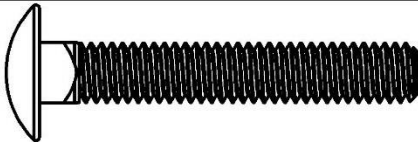
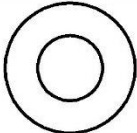

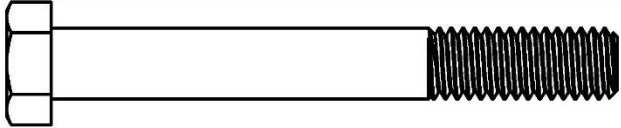
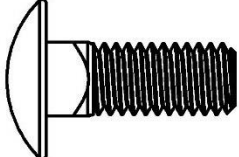
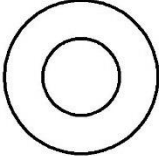
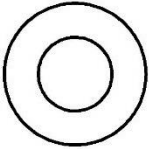
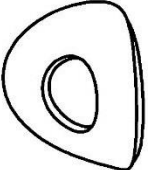

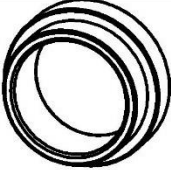
**Before You Begin**

- Read all instructions prior to assembling or installing any Holman product.
- Always locate your installation locations prior to performing any work.
- **DO NOT EXCEED MANUFACTURERS WEIGHT CAPACITY FOR ROOF.**
- **BE SURE TO ADJUST LADDER CLAMPS ACCORDINGLY TO SECURE LADDER FIRMLY TO RACK. To adjust, refer to Clamp and Lock adjustment guide.**
- This kit is the driver side add-on ONLY.

## Parts

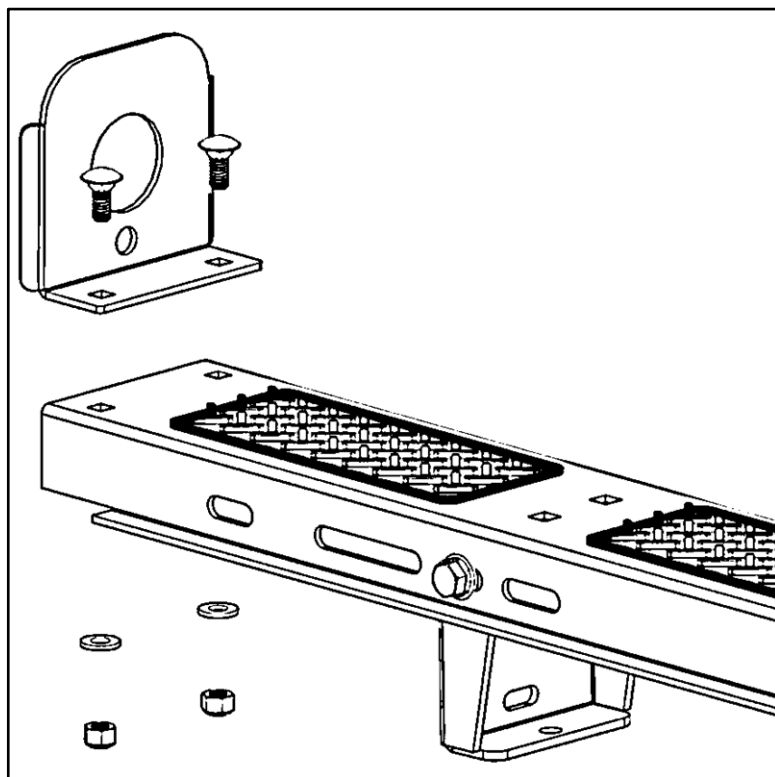
ITEM NO.		PART NUMBER	DESCRIPTION	QTY.
A		4A800-84-003-L	84" L Bracket	1
B		4A800-84	84" Tube	1
C		4A800-52-L	Hook ASM	1
D		11-03027A	Hanger	1
E		4A800-30	Clamp Tube	1
F		4A800-20	Latch ASM	1
G		4A800-40	Handle	1
H		4A800-60	Ladder Stop Assembly	1
		18-4A85L-A	Hardware	1

## Hardware

#	TO SCALE	PART NUMBER	DESCRIPTION	QTY.
1		90185A591	5/16"-18 x 2" Carriage Bolt	7
2		90126A030	5/16" Flat Washer	7
3		95615A160	5/16"-18 Lock Nut	7
4		91247A636	3/8"-16 x 3" Hex Head	1
5		90185A624	3/8"-16 x 1" Carriage Bolt	4
6		90126A031	3/8" Flat Washer	5
7		90295A170	3/8" Nylon Washer	1
8		91844A370	3/8" Curved Washer	1
9		95615A140	3/8"-16 Lock Nut	5
10		11-03013	Nylon Bushing	2
11		BH-821	Sealant	1

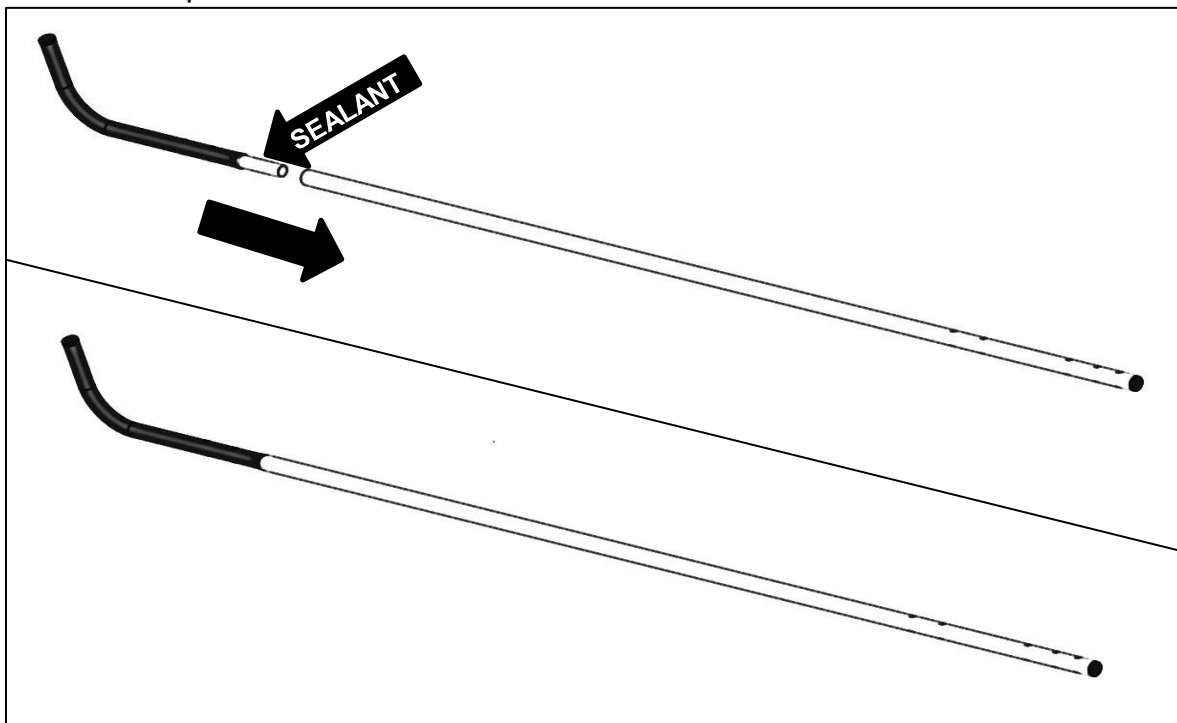
## Step 1 – Remove End Stops

- If end stops are currently installed on the ends of the bows, remove ladder stops from both bows.



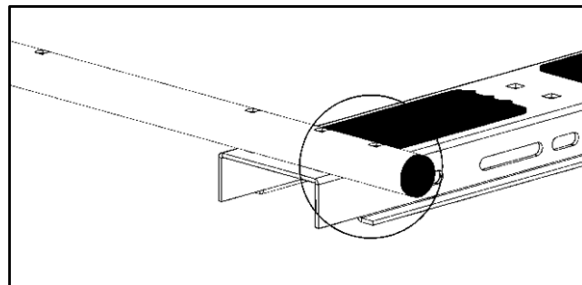
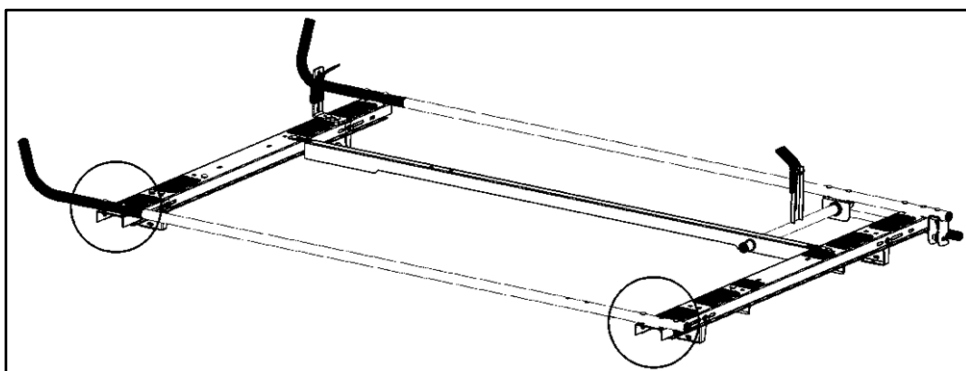
## Step 2 – Assemble Side Tube

- Place sealant around swaged end of side support bar.
- Slide side support bar into side tube assembly. **Be sure the holes in each line up.**
- Proceed to next step while sealant is still workable.



## Step 3 – Install Side Tube

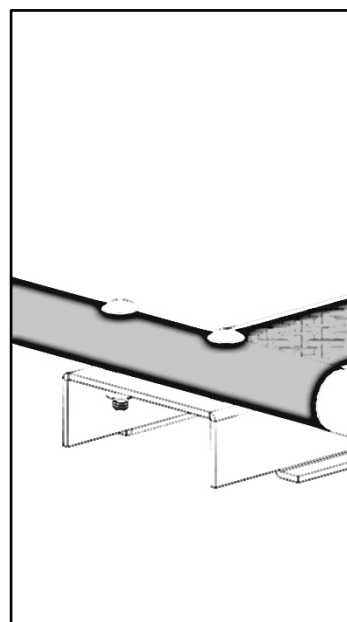
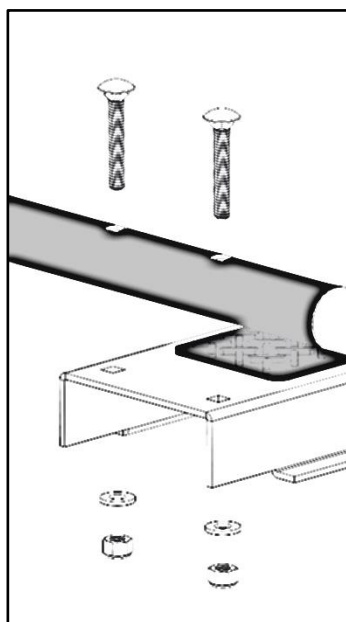
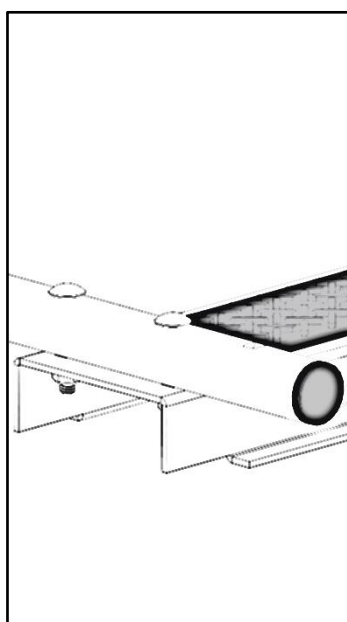
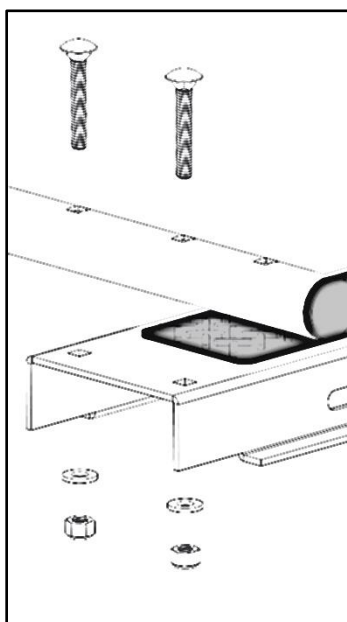
- Place side tube assembly on top of bows.
- Have the bend towards the front and to the outside of the vehicle as shown.
- In some applications, it is easier to assemble rack on top of vehicle.
- Leave one square slot open at the rear of the tube.



- At both the rear and front locations, using two 5/16" x 2" carriage bolts, 5/16" flat washers, and 5/16" lock nuts, attach side tube assembly to the bows.
- Snug tighten, but allow movement.

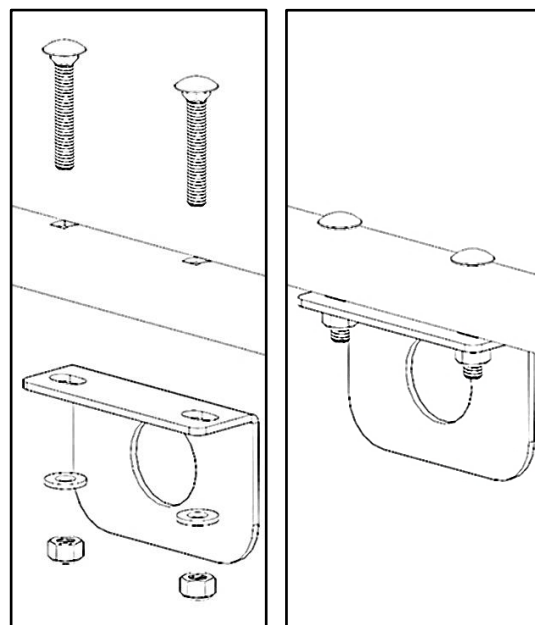
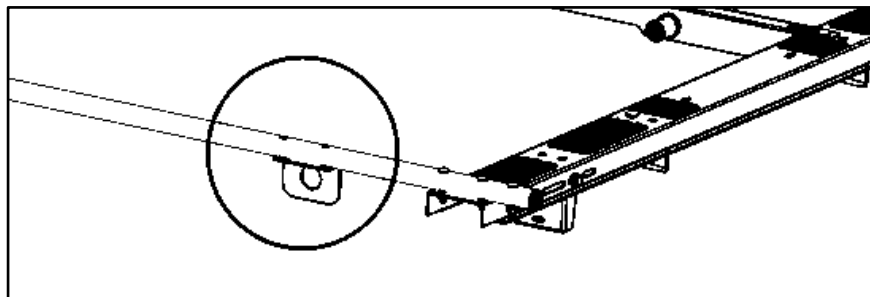
**REAR**

**FRONT**



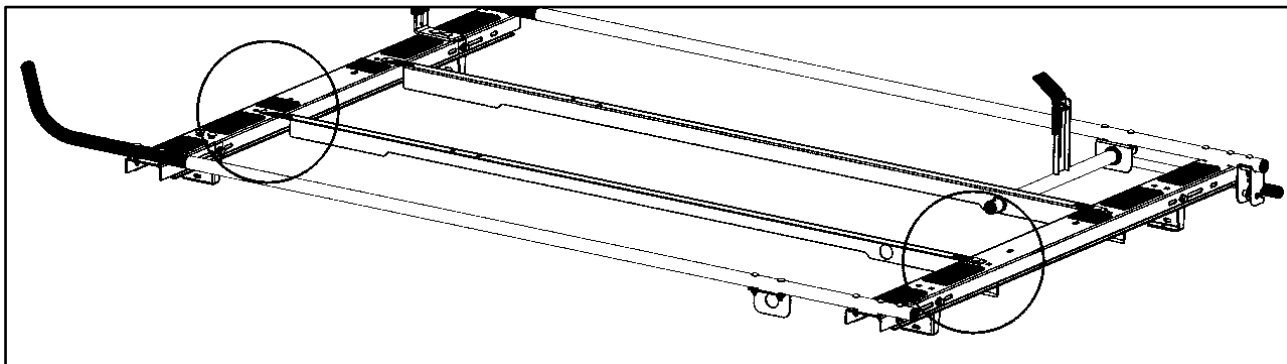
## Step 4 – Install Hanger Bracket

- Using two 5/16" x 2" carriage bolts, 5/16" flat washers and 5/16" lock nuts, mount hanger bracket as shown below. **Be sure to have the bracket flange towards the inside of the bows.**

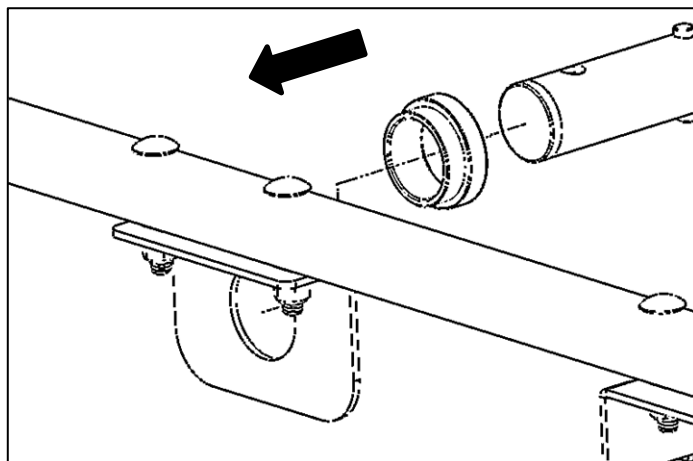
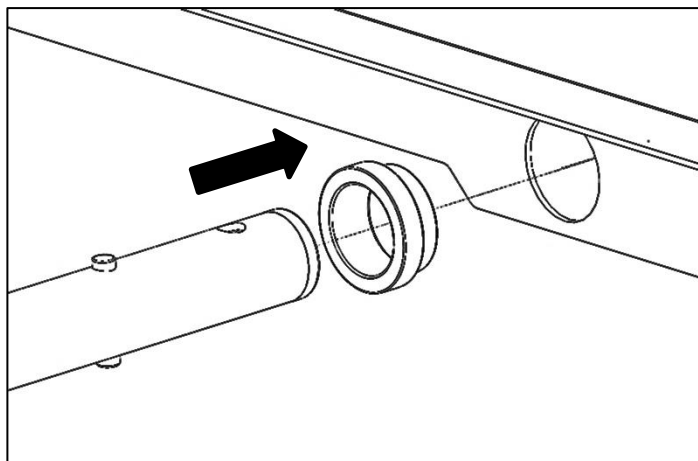


## Step 5 – Install Clamp Tube

- Place L-bracket on top of installed bows.

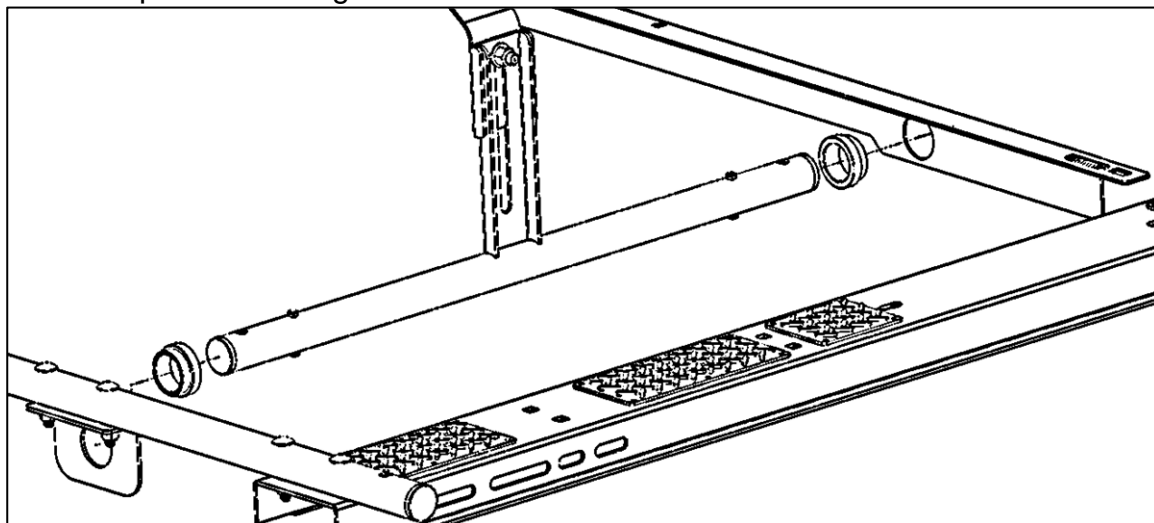


- Insert plastic bushings into the hanger bracket installed in Step 3 and the L-bracket, with flanges toward each other and to the inside, as shown. **Be sure to install the bushings in an orientation so they CANNOT fall out.**

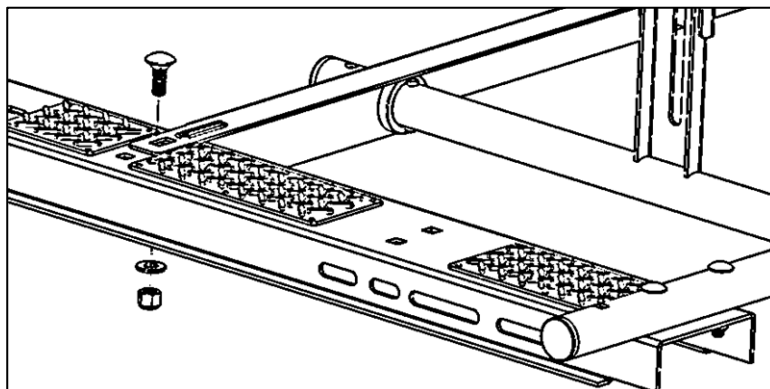


- Insert clamp tube into both plastic bushings.

Ladder clamp on the clamp tube is adjustable. When finished installing rack, clamp must be adjusted to fit firmly against ladder.

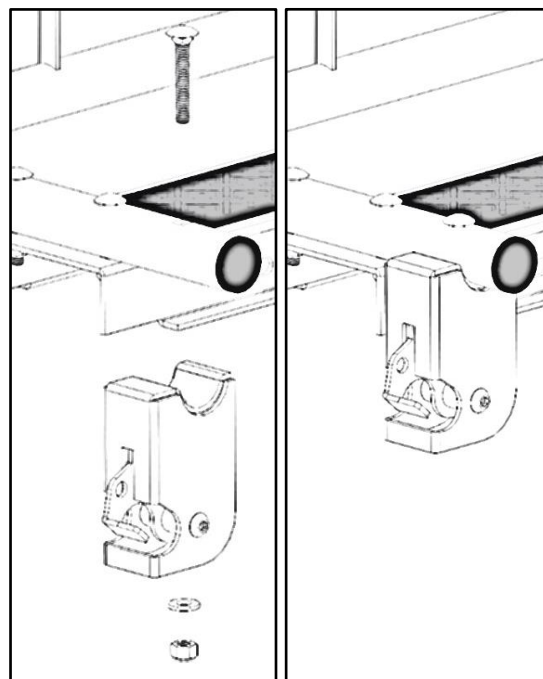


- Bolt L-bracket to bows using 3/8" x 1" carriage bolt, 3/8" flat washer and a 3/8" lock nut as shown.
- Repeat on both bows.
- **TIGHTEN.**



## **Step 6 – Install Latch Assembly**

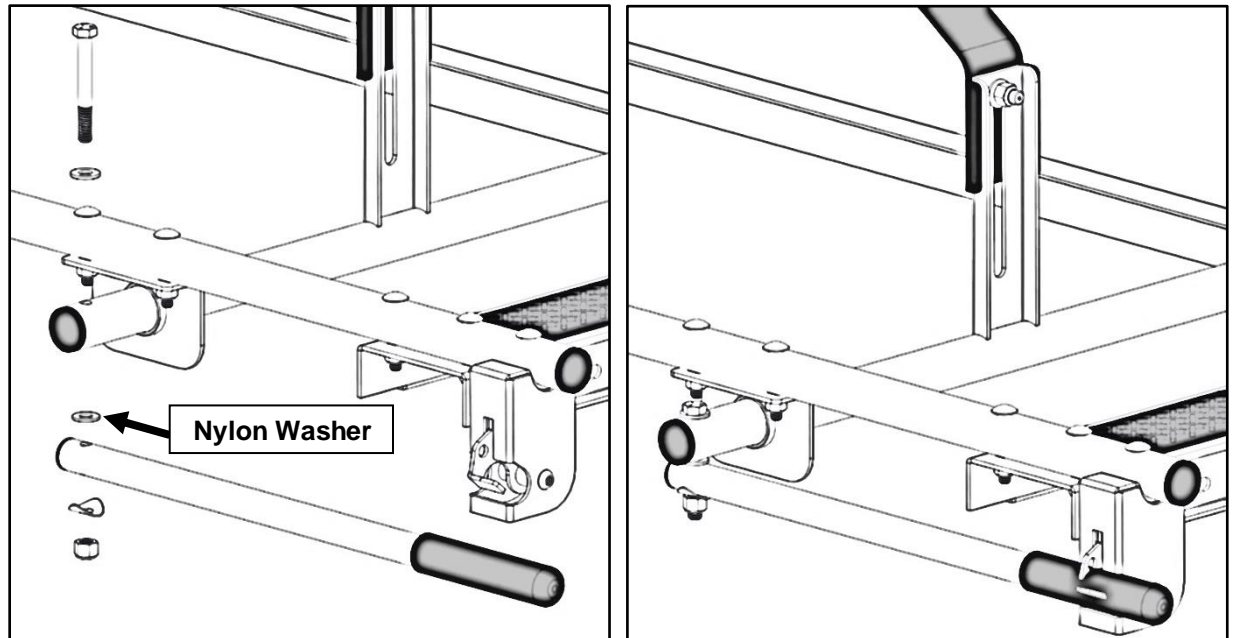
- Using 5/16" x 2" carriage bolt, 5/16" flat washer and a 5/16" lock nut, bolt latch to the rear of the mount tube that was installed in Step 3.
- **TIGHTEN.**





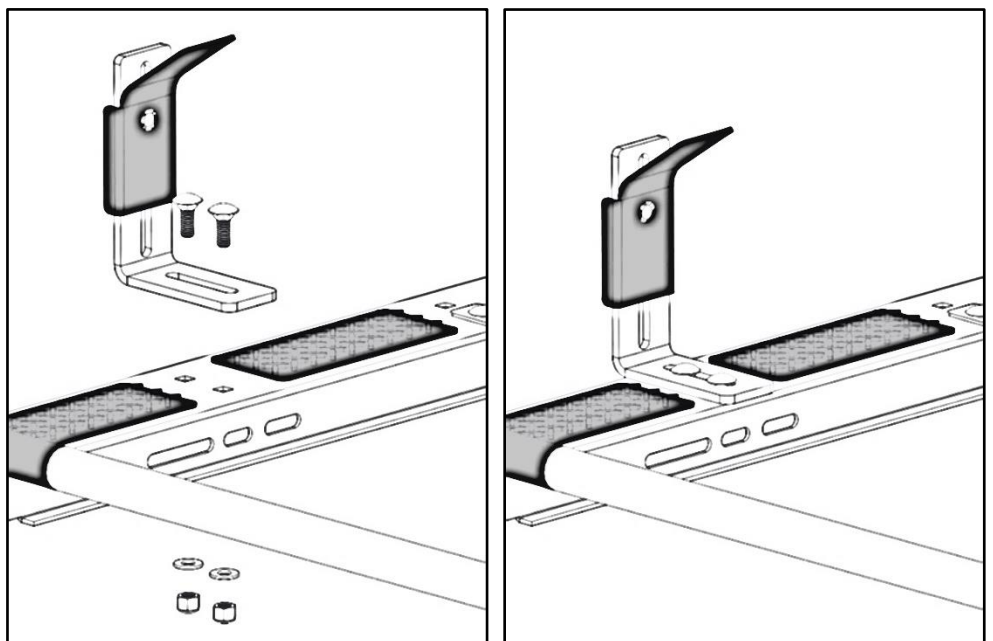
## Step 7 – Attach Handle

- Bolt handle to clamp tube using a 3/8" x 3" hex head, a 3/8" flat washer, 3/8" nylon washer, a 3/8" curved washer and 3/8" a lock nut. The nylon washer goes in between the clamp tube and handle. The curved washer goes between the handle and the lock nut as shown.
- **TIGHTEN** but **DO NOT** overtighten. Handle should move freely.



## Step 8 – Mount Ladder Hook Bracket to Bow

- Bolt ladder hook bracket to the bow in the orientation shown using two 3/8" x 1" carriage bolts, 3/8" flat washers, and 3/8" lock nuts. **Be sure the bracket is square to the bow.**
- Adjust clamp on bracket to fit firmly against your ladder.
- **TIGHTEN.**

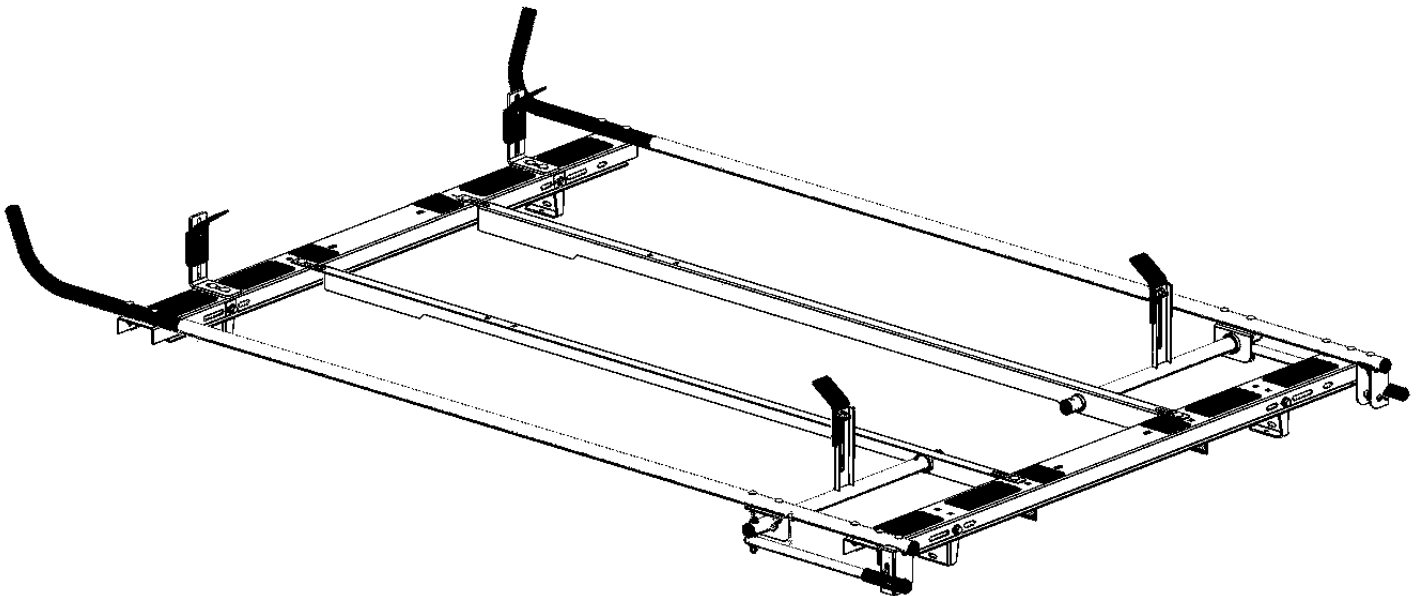


**GO BACK AND ENSURE ALL HARDWARE IS TIGHT.**

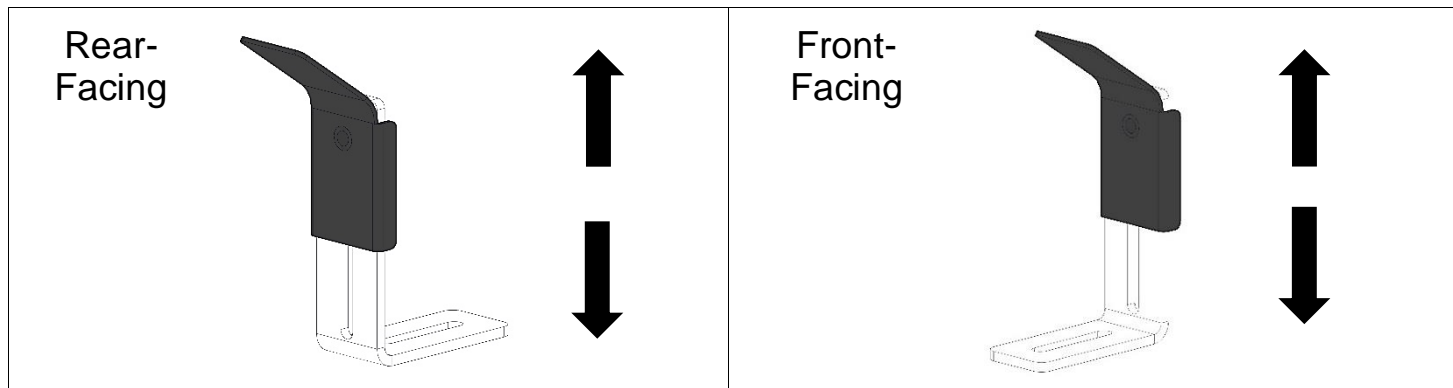
**Your installation is now complete.**

**Refer to the Clamp and Lock Adjustment instructions to adjust the rack to your ladder.**

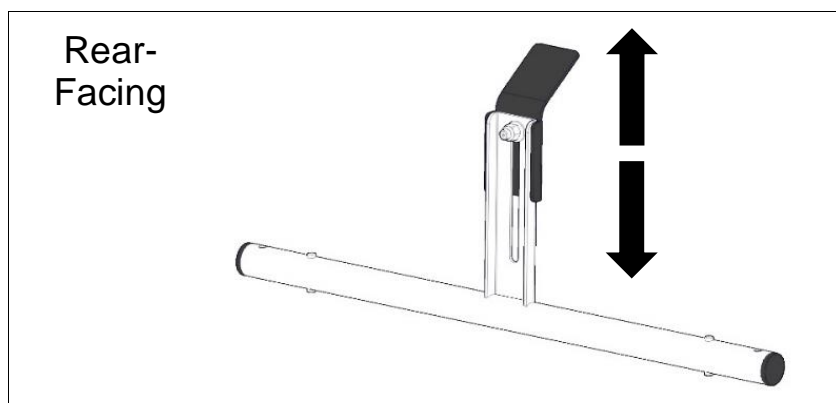
**BE SURE LADDER IS SECURE PRIOR TO TRANSPORTATION.**



## Angle Pad Orientations and Locations

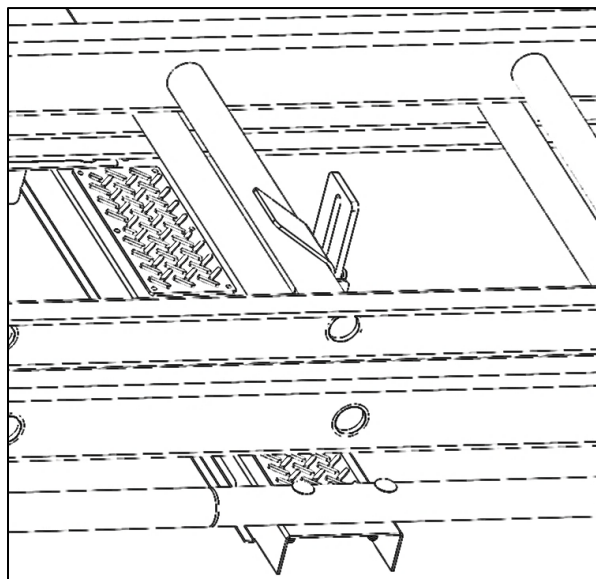
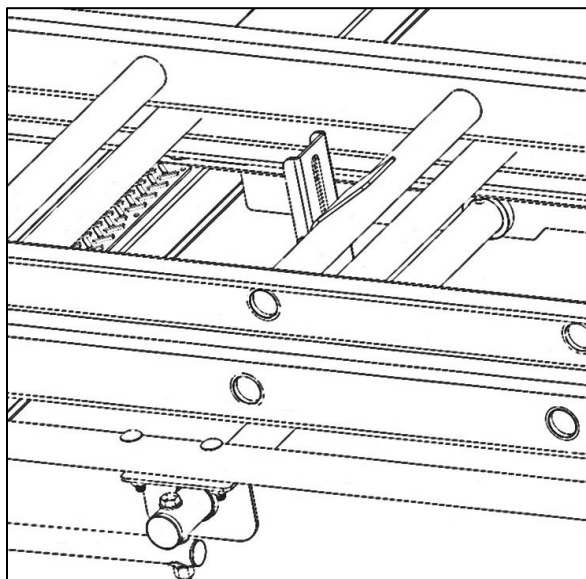


## Clamp Mechanism Orientation and Angled Pad Positions



## Examples of Ladder Clamps Firmly Against Ladder Rungs

- Be sure to position the ladder hook in a way so the hook clamps the ladder tight into place. A tight fit ensures the ladder cannot fall off the rack.



**BE SURE THE LADDER HOOKS ARE FIRMLY AGAINST THE LADDER STEPS OR RUNGS.**