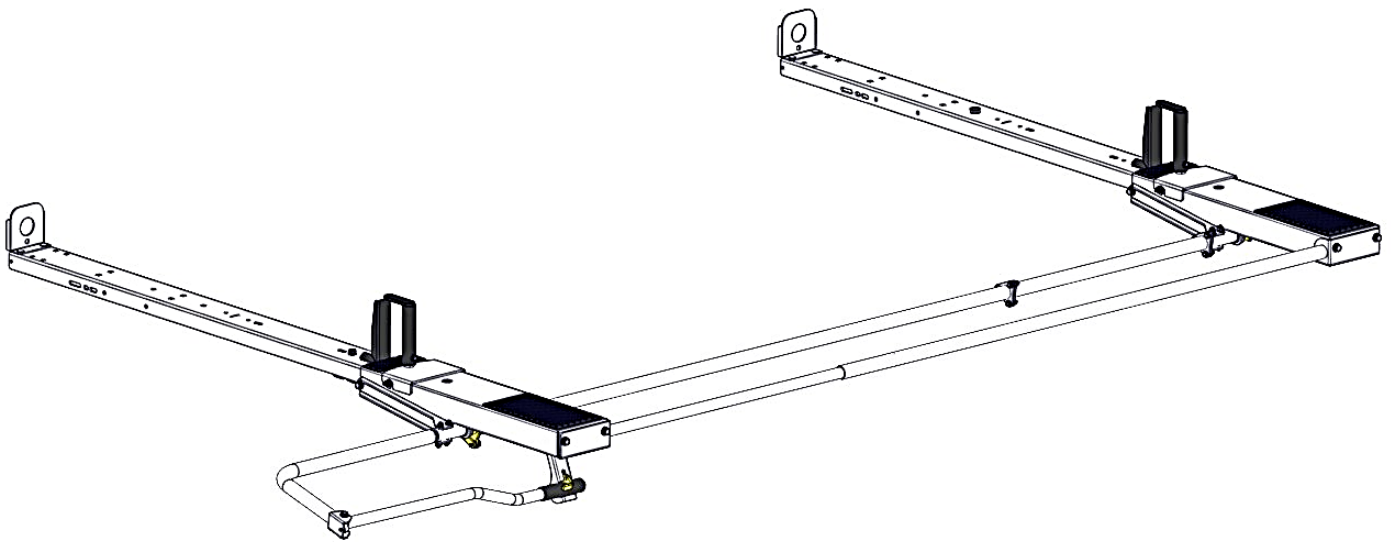


Holman

Assembly Guide 4A93L



Holman
Rancho Cordova, CA 95742
800-343-7486
InstallationSupport@Holman.com

PLEASE READ ALL INSTRUCTIONS AND WARNINGS PRIOR TO ASSEMBLING, INSTALLING, AND USING THIS PRODUCT.

Warning



Always check for wires, fuel tanks and lines, brake lines and other important vehicle functionality items prior to drilling and installing all products.

Table of Contents

Tools Needed	1
Before You Begin	1
Parts List.....	2
Hardware	3
Step 1 – Load Plates	4
Step 2 – Pan Mount.....	5
Step 3 – Determine if Extension is Needed	5
Step 4 – Install Torque Tube	6
Step 5 – Install Cross Tube	7
Step 6 – Install Latch	8
Step 7 – Install Handle.....	8
Step 8 – Install Ladder Stop	9
Step 9 – Assemble Ladder Hooks	10
Step 10 – Install Ladder Hooks.....	11

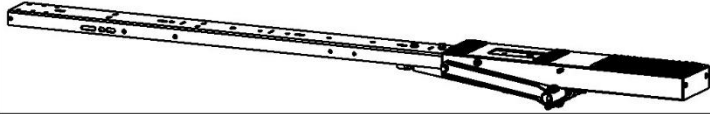
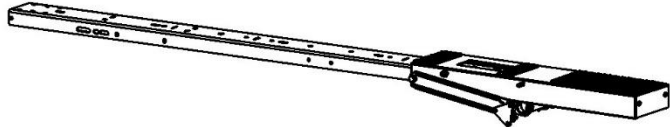
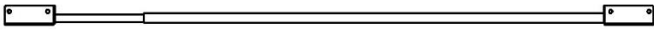
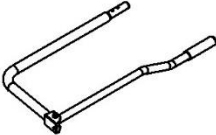
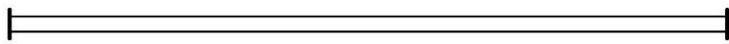
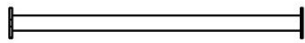

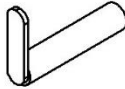
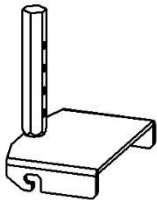
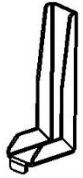
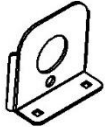
Tools Needed

5/16" Wrench and Socket	3/8" Wrench and Socket
1/2" Wrench and Socket	9/16" Wrench and Socket
Tape Measure	

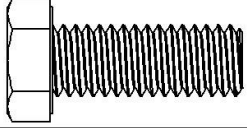
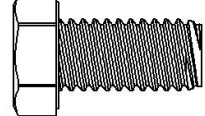
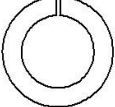
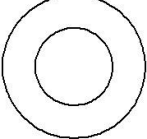
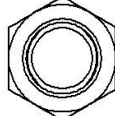
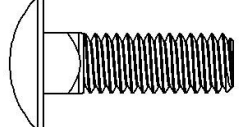
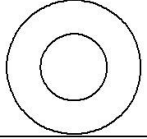
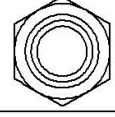
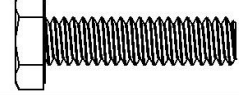
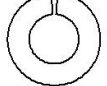
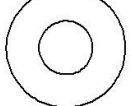


Before You Begin

- Read all instructions prior to assembling or installing any Holman product.
- Have mount kit installed on vehicle.
- **NEVER EXCEED MANUFACTURERS ROOF WEIGHT RATING.**
- **Place sealant around all swage joints to avoid water from leaking inside of ladder rack.**

Parts List

NO.	ITEM	PART NUMBER	DESCRIPTION	QTY.
1		4A93L-1	REAR BOW	1
2		4A93L-2	FRONT BOW	1
3		4A93L-7	SUPPORT TUBE ASSEMBLY	1
4		4A93L-70	HANDLE ASSEMBLY	1
5		4A93L-50	TORQUE TUBE	1
6		4A93L-51	TORQUE TUBE EXTENSION	1
7		4A93L-45	HANDLE LATCH	1
8		4A900-35	LADDER HOOK	2
9		4A900-36	BASE LADDER HOOK WELDMENT	2
10		4A900-30-004	LADDER STOP	2
11		4A900-10-008	END STOP	2
12		18-4A93L	ASSEMBLY HARDWARE	1

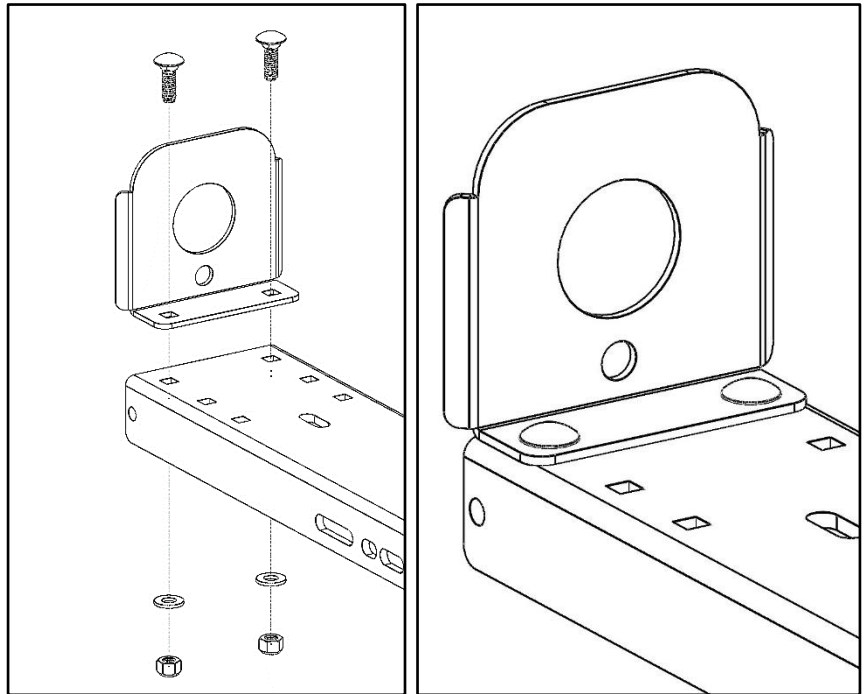
Hardware

ITEM	HARDWARE TO SCALE	PART NUMBER	DESCRIPTION	QTY.
1		11241197	3/8-16 X 1" HEX HEAD BOLT	1
2		11241196	3/8-16 X 3/4" HEX HEAD BOLT	4
3		0123496	3/8" SPLIT LOCK WASHER	4
4		1133082	3/8" WASHER	6
5		0169791	3/8"-16 LOCK NUT	1
6		21811	5/16-18 X 1" CARRIAGE BOLT	6
7		90126A030	5/16" FLAT WASHER	6
8		0169777	5/16"-18 NYLOC	6
9		110120304	1/4-20 X 1" HEX HEAD BOLT	11
10		1133618	1/4"-20 LOCK WASHER	2
11		33078	1/4" FLAT WASHER	20
12		37018	1/4"-20 NYLON INSERT LOCK NUT	9
13	 *NOT TO SCALE	SEALANT - 60ml	SEALANT	1

Step 1 – End Stops

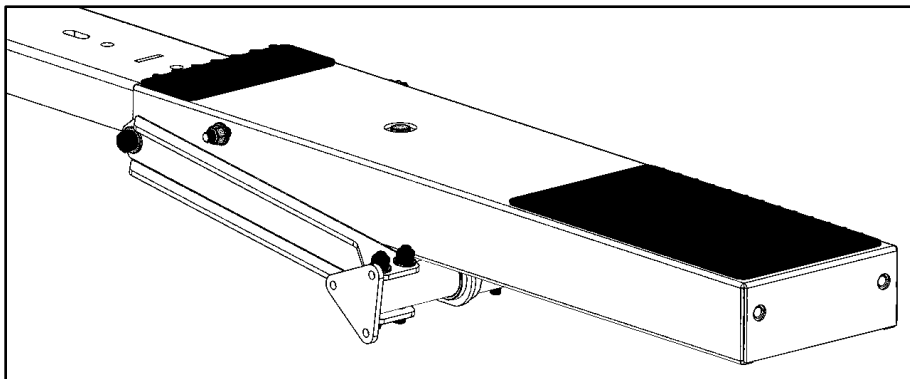
Note: If installing driver side drop down, skip installing end stops.

- At the end of each bow, opposite from the pan mechanism, bolt end stops using two 5/16" x 1" carriage bolts, two 5/16" flat washers and two 5/16" lock nuts in the orientation shown.
- Repeat on both bows.
- Snug tighten, but allow movement.

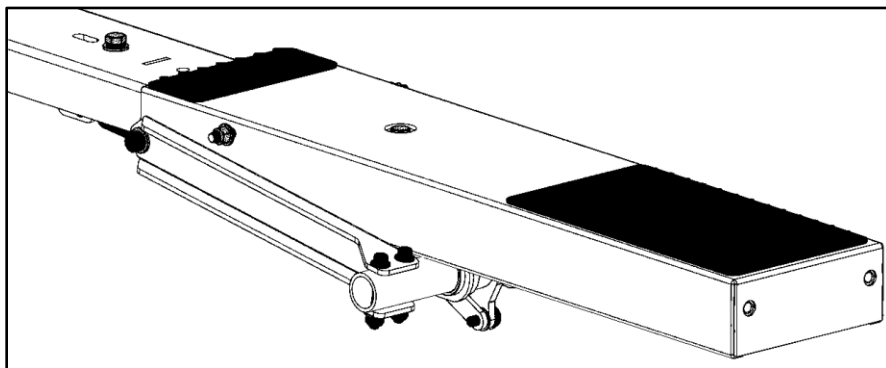


Step 2 – Determine front and rear bow.

Note: Bow and feet may vary from installation to installation. Shown below is a different bow, but the assembly is the same.



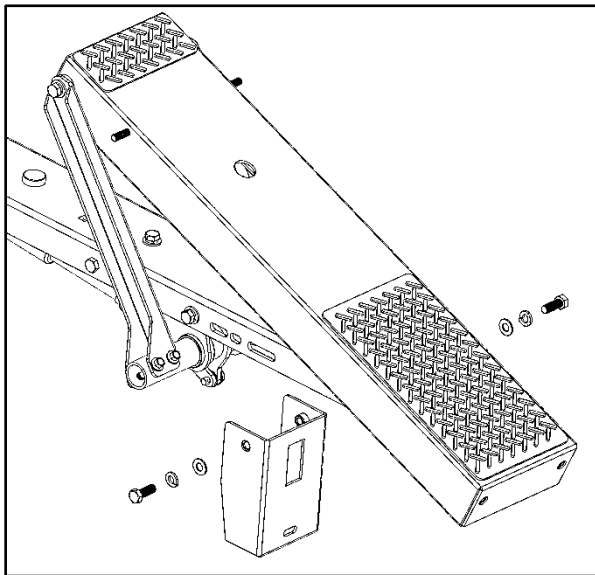
Front Bow



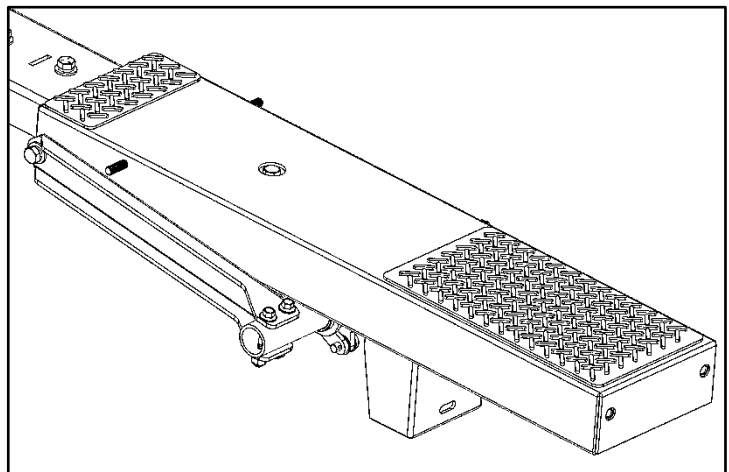
Rear Bow

Step 3 – Pan Mount

- **Be sure mount kit is installed on vehicle.**
- Set front and rear bow assembly on mounting feet as shown.
- Place a foam block from the packaging to hold the bow in the up position in order to access the mounting slots.
- Using the 3/8" x 3/4" hex head bolts, 3/8" lock washers, and 3/8" flat washers provided with the mount kit, LOOSELY bolt bow to mounting feet. Leave loose until the rack is assembled.
- Repeat on both ends of both bows.



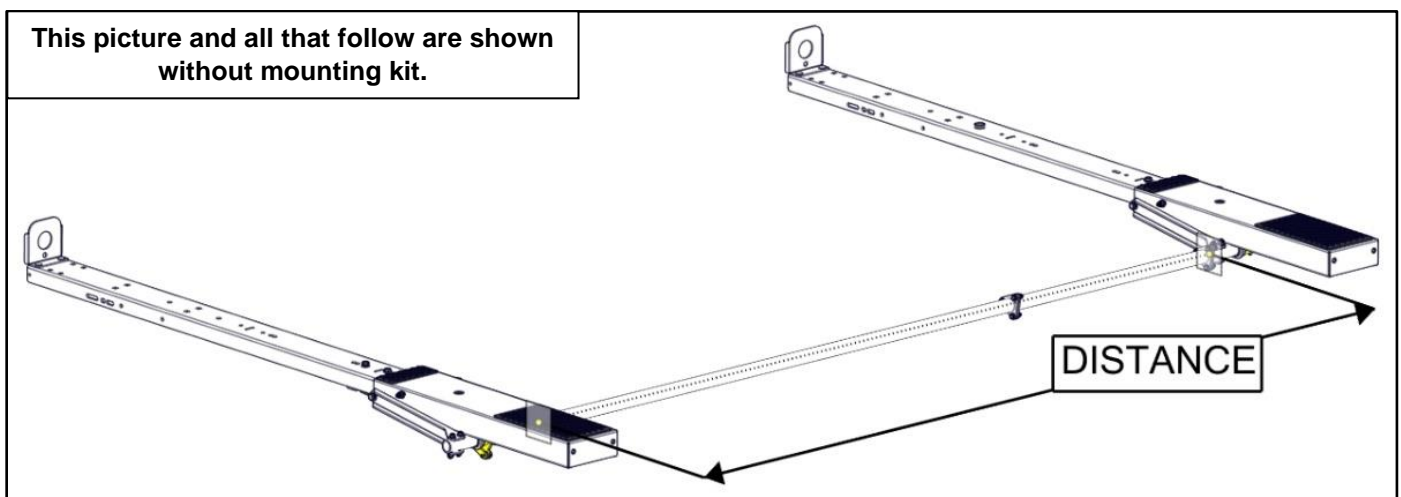
Note: Bow and feet may vary from installation to installation. Shown below is a different bow, but the assembly is the same.



Step 4 – Determine if Extension is Needed

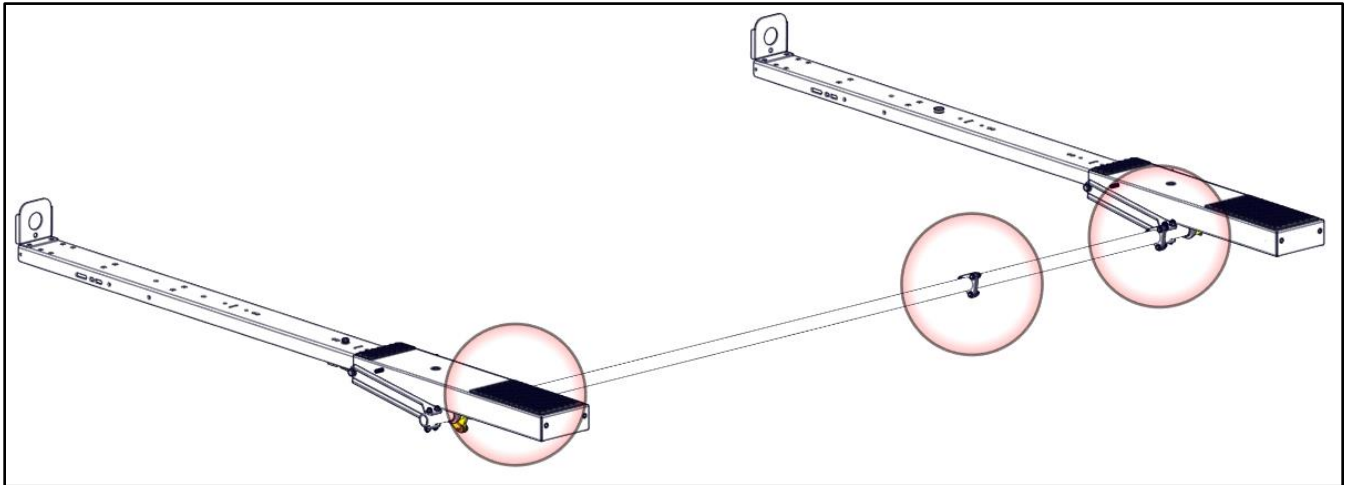
- Measure between the two bows as shown. If distance is approximately 84.5", the extension will be needed.
- If the distance between the two bows is approximately 60", the extension piece is not needed.

Note: Picture shown below with extension piece.

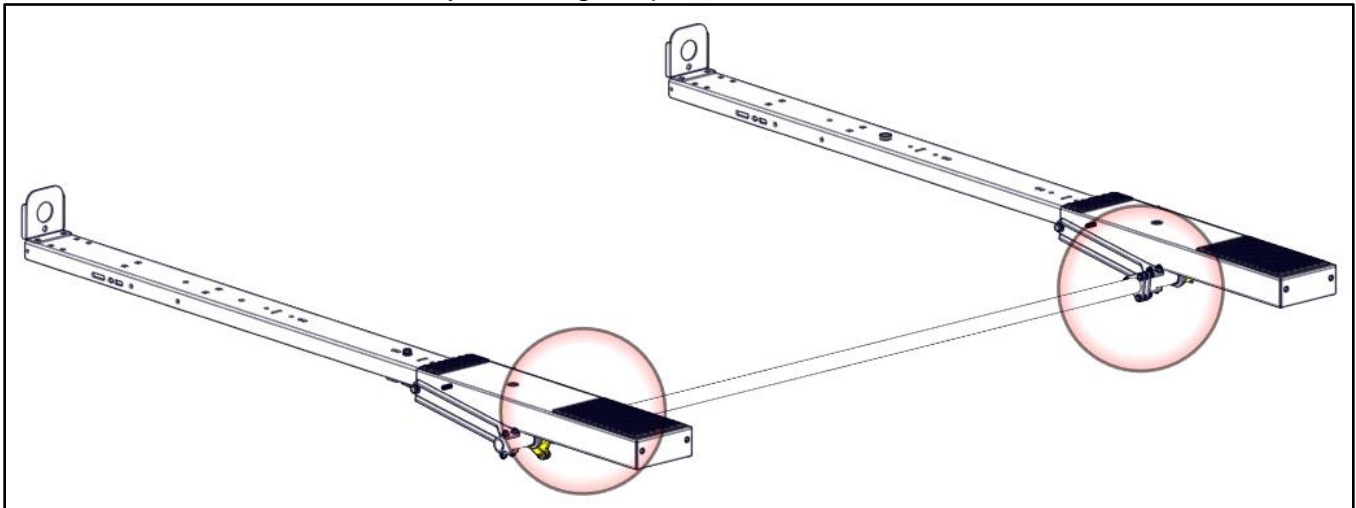


Step 5 – Install Torque Tube

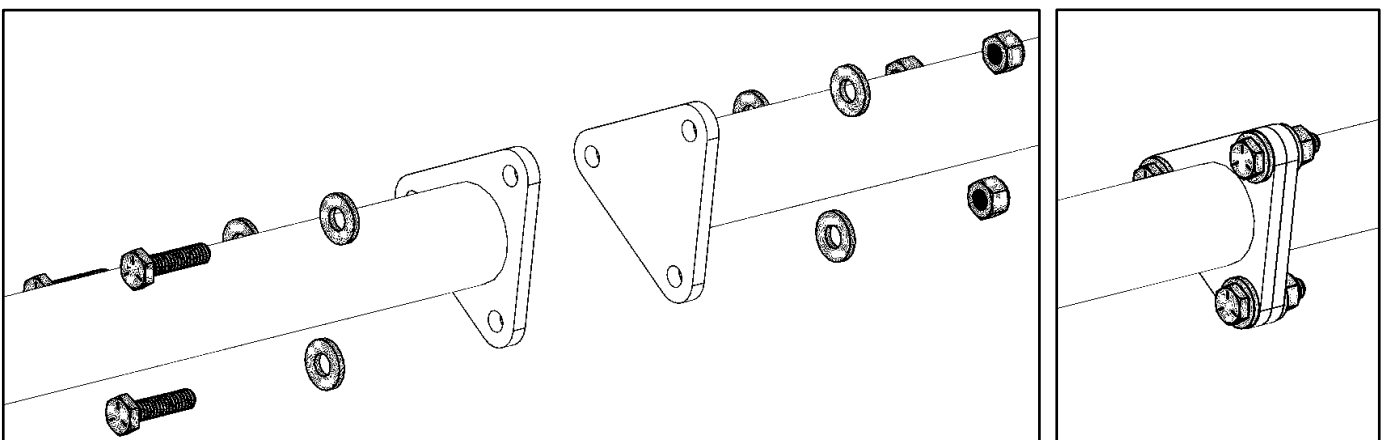
- If extension is needed, assemble extension to long torque tube.



- If extension is not needed, only use long torque tube.

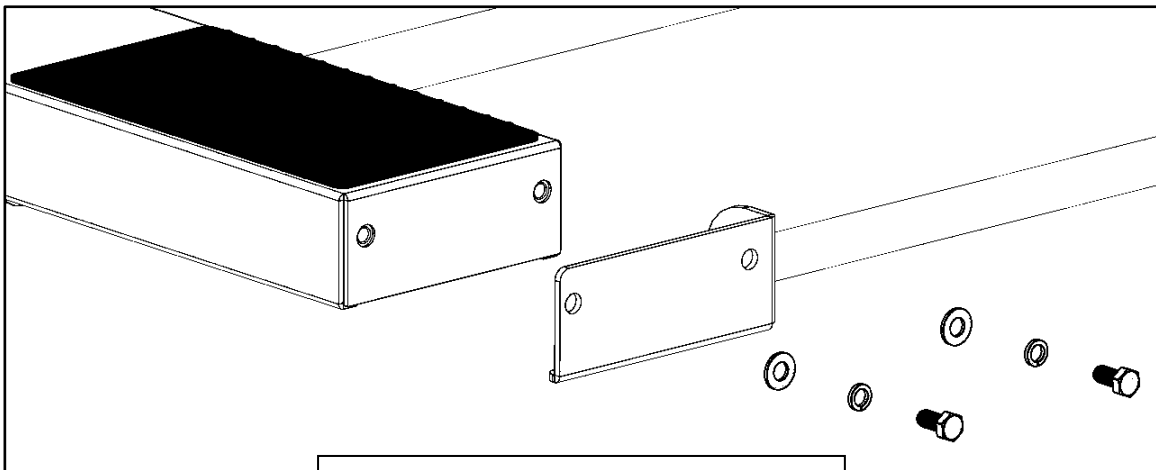
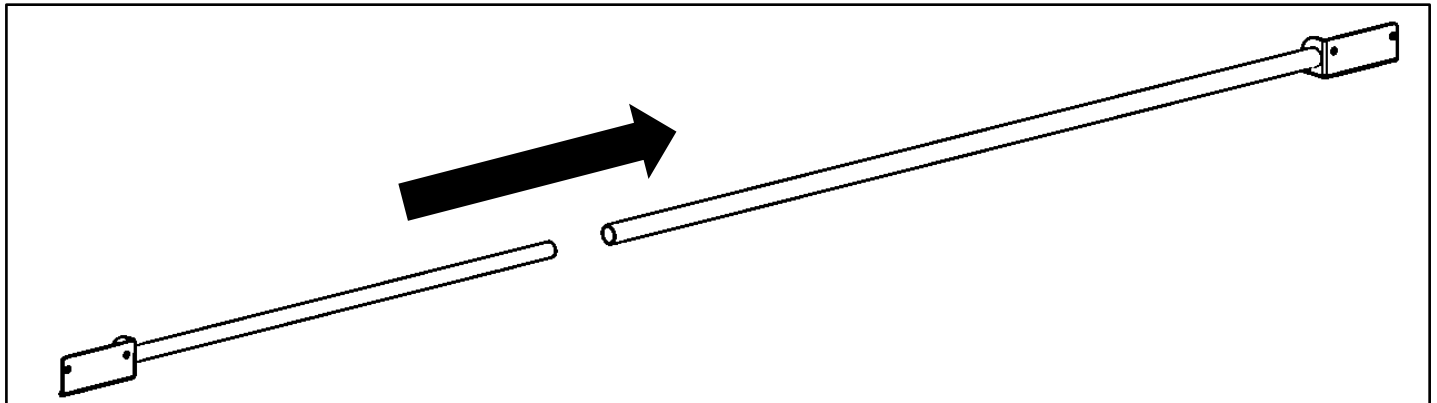


- Bolt torque tube to front and rear bow using 1/4" x 1" hex head bolt, two 1/4" flat washers and 1/4" lock nut at each location.

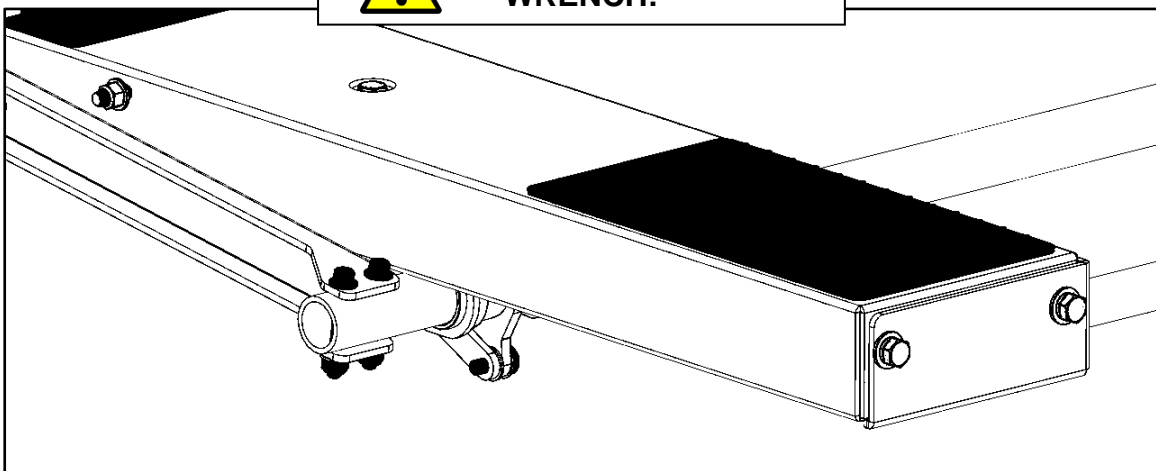


Step 6 – Install Cross Tube

- Insert cross tube as shown.
- Bolt to the end of both pans using 3/8" x 3/4" hex head bolts, 3/8" lock washers and 3/8" flat washers.
- Repeat at both bows.
- Tighten.

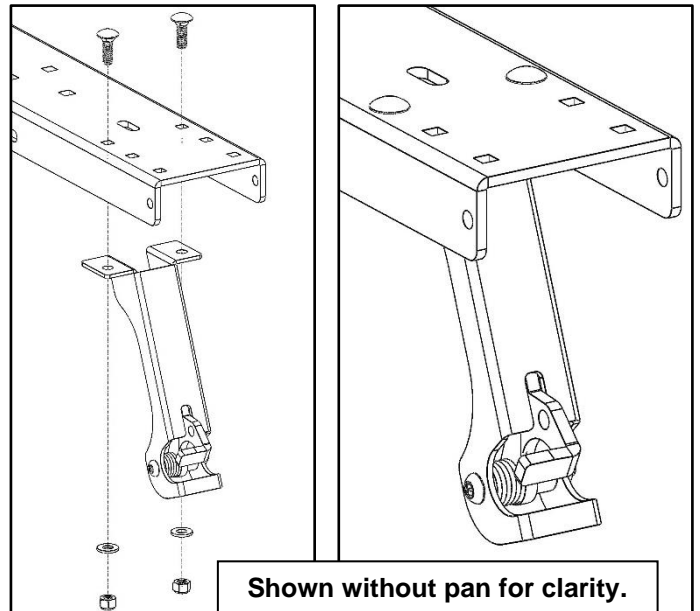


**DO NOT USE IMPACT
WRENCH!**



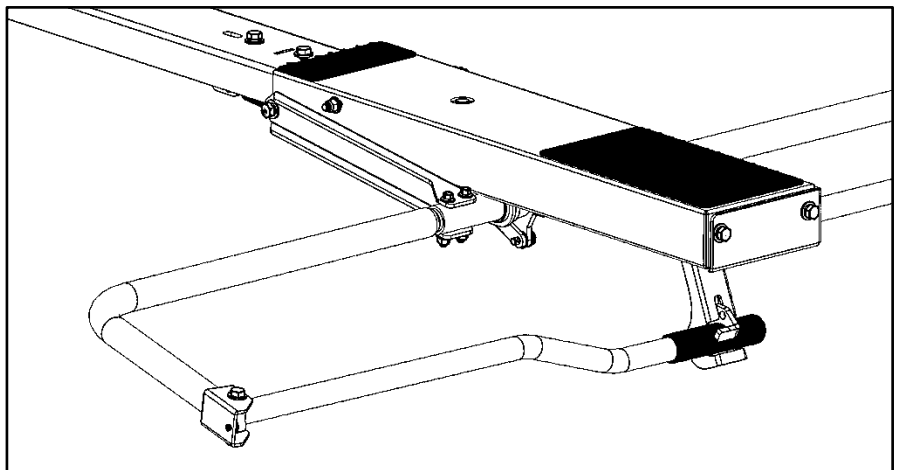
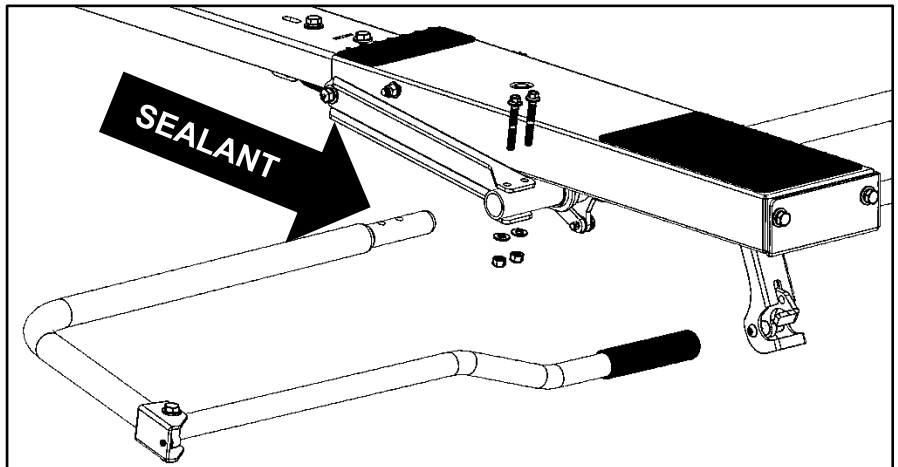
Step 7 – Install Latch

- Move rear pan assembly out of the way to expose the end of the cross member. **Be sure to attach to the inner holes on the bow.**
- Bolt latch assembly to end of cross member using 5/16" x 1" carriage bolts, 5/16" flat washers and 5/16" lock nuts.
- Tighten.



Step 8 – Install Handle

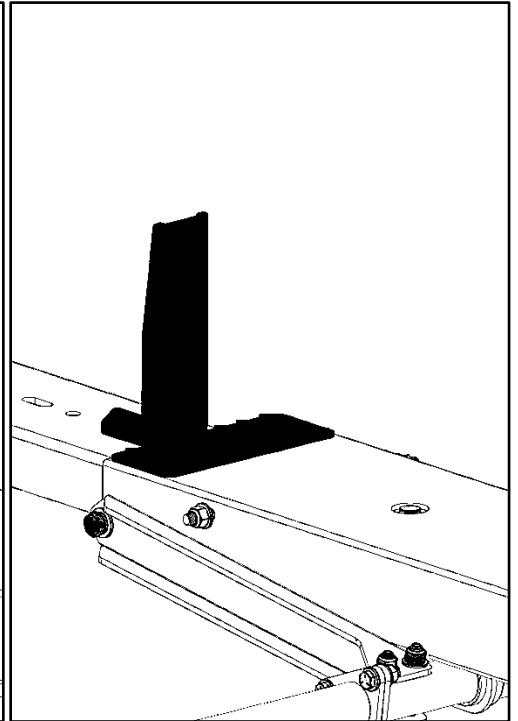
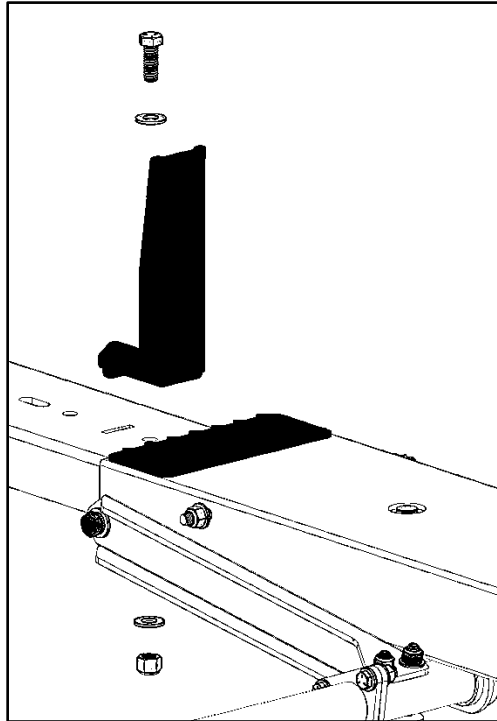
- Place handle in orientation shown.
- Attach handle to the rear pan using existing 5/16" hardware.
- **Be sure to apply sealant around swage joint to ensure no water leaks into tubes.**
- Tighten.



Step 9 – Install Ladder Stop

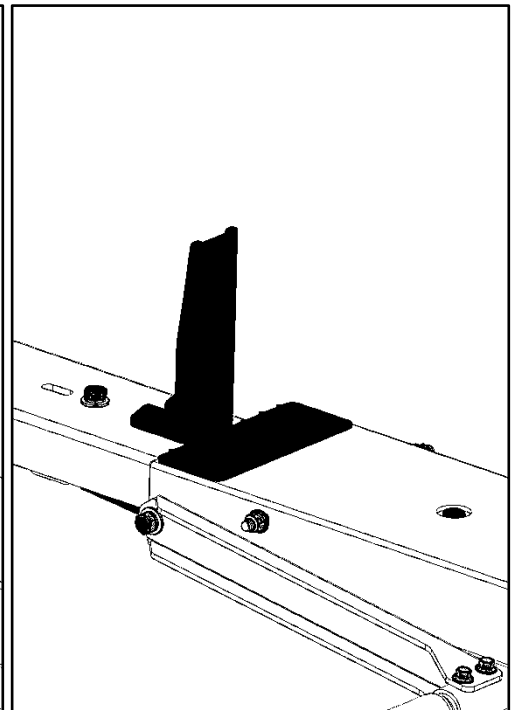
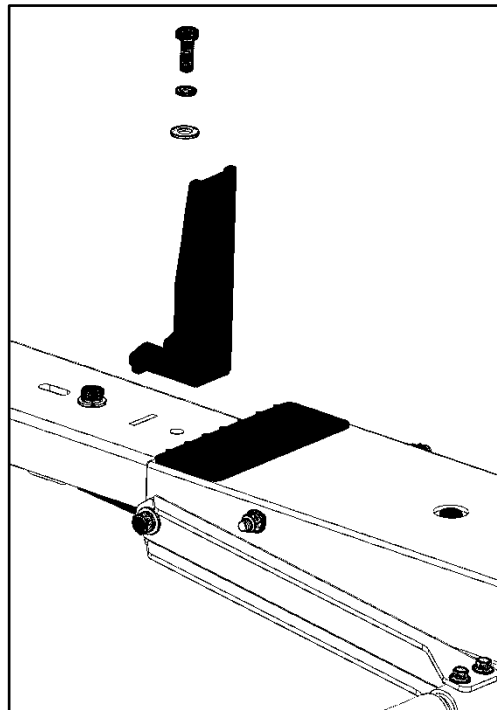
- Attach ladder stop to both front and rear bow. **Be sure the flange of the ladder stop is aligned with the cut out in the bows.**

- In the front bow, bolt in place using 3/8" x 1" hex head bolt, two 3/8" flat washers and a 3/8" lock nut.



- In the rear bow, bolt in place using 3/8" x 1" hex head bolt, 3/8" lock washer and a 3/8" flat washer.

- Tighten.

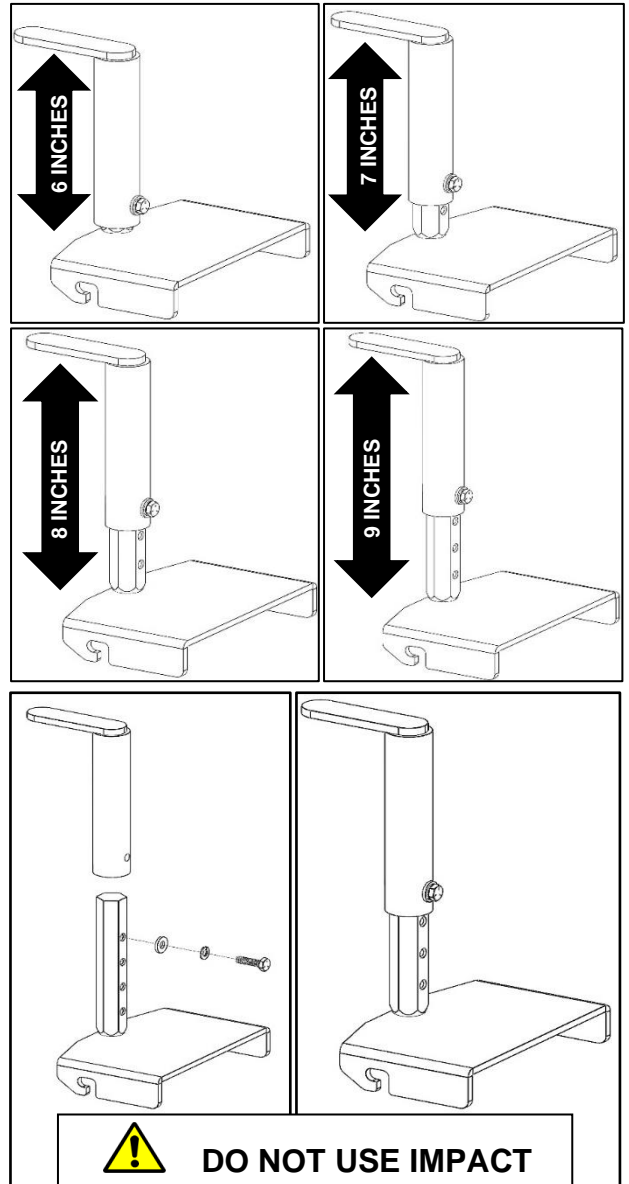


Step 10 – Assemble Ladder Hooks

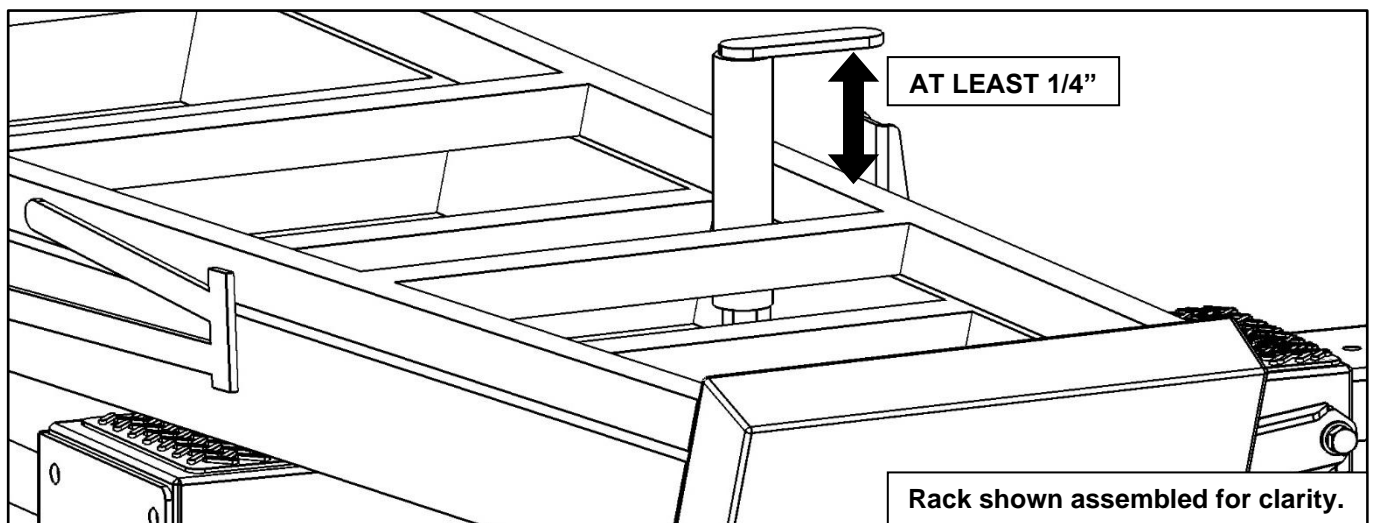
Note: Before use the ladder hook must be adjusted to an appropriate height for the ladder that will be used. The height of the hook needs to be at least 1/4" greater than the ladder. The ladder should fit loosely on the hook, not snug.

- Measure the thickness of the ladder that will be used and determine the appropriate mounting hole on the ladder hook weldment that will allow for a loose fit.
- **Be sure the height of the hook is AT LEAST 1/4" GREATER THAN the thickness of your ladder.**
- If you are unsure of the thickness of the ladder that will be used, set the height of the hook to the highest setting (9 inches) and adjust it later.

NOTE: Roof height clearance is affected by the hook mounting location used. Please verify and be aware of the total height of the vehicle with rack installed.

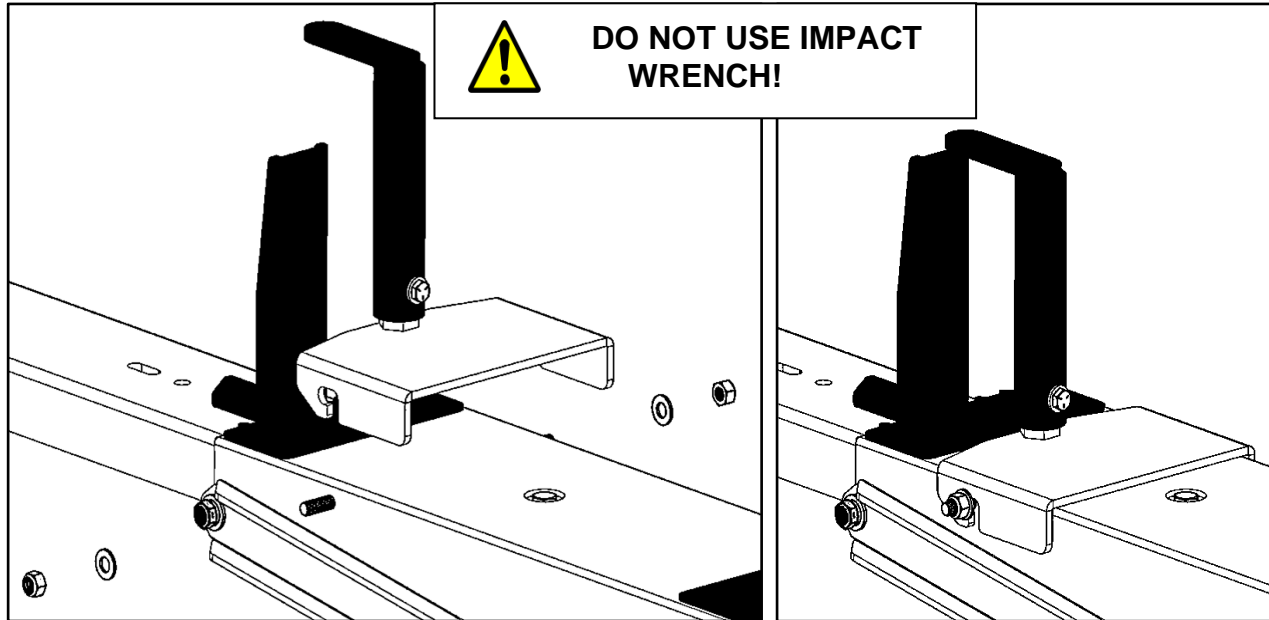


- Using a 1/4" x 1" hex head, a 1/4" lock washer and a 1/4" flat washer, bolt ladder hook assembly to ladder hook weldment using the previously determined mounting location.
- Tighten.



Step 11 – Install Ladder Hooks

- Using the hardware and installed studs on both bows, loosen nuts and slide ladder hook assembly into place.
- Tighten.



GO BACK AND TIGHTEN ALL HARDWARE.

ASSEMBLY IS COMPLETE.

