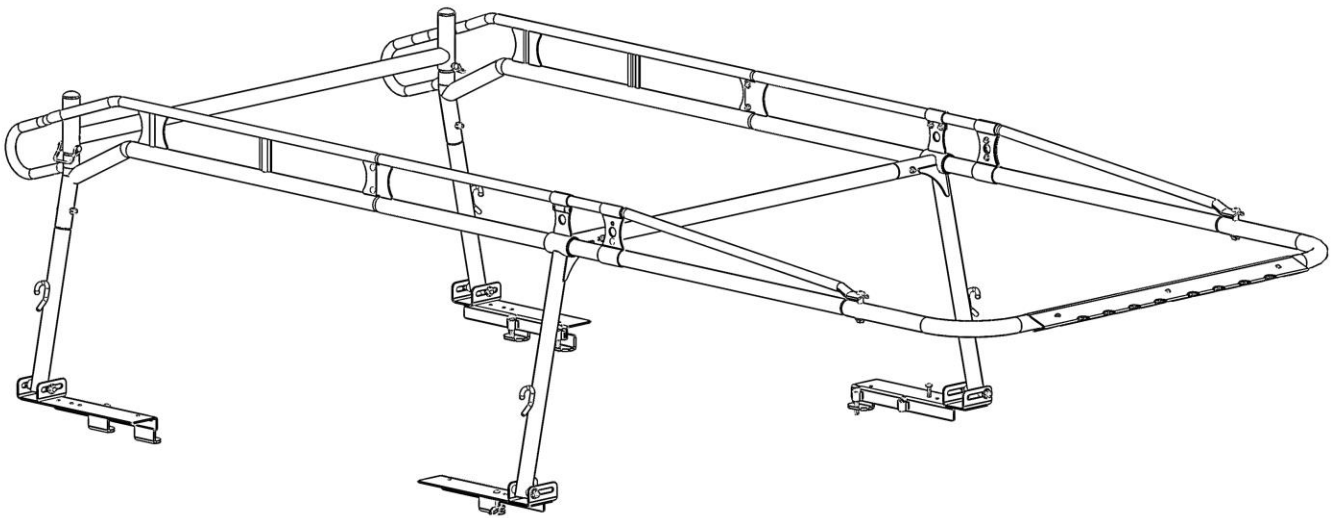


Holman

Instruction Guide Pro III Truck Rack



Holman
Rancho Cordova, CA 95742
800-343-7486
InstallationSupport@Holman.com

PLEASE READ ALL INSTRUCTIONS AND WARNINGS PRIOR TO ASSEMBLING, INSTALLING, AND USING THIS PRODUCT.

Warning



Always check for wires, fuel tanks and lines, brake lines and other important vehicle functionality items prior to drilling and installing all products.



Too much weight will greatly reduce the stability of your vehicle. Holman makes no representation or warranty as to the amount of weight your vehicle can safely carry. For guidance, we recommend that you consult the vehicle manufacturer.

AT NO TIME SHOULD THE WEIGHT OF THE VEHICLE, RACK, DRIVER, PASSENGERS AND CARGO LOADED ON A HOLMAN RACK EXCEED EITHER THE GROSS VEHICLE WEIGHT RATIO (GVWR) OR THE GROSS AXLE WEIGHT RATIO (GAWR) AS SPECIFIED BY THE VEHICLE MANUFACTURER.



Do not use your rack with the rear cross bar removed. Removal of rear crossbar will affect structural integrity of the rack.



Secure all payloads properly for safe transportation.

Table of Contents

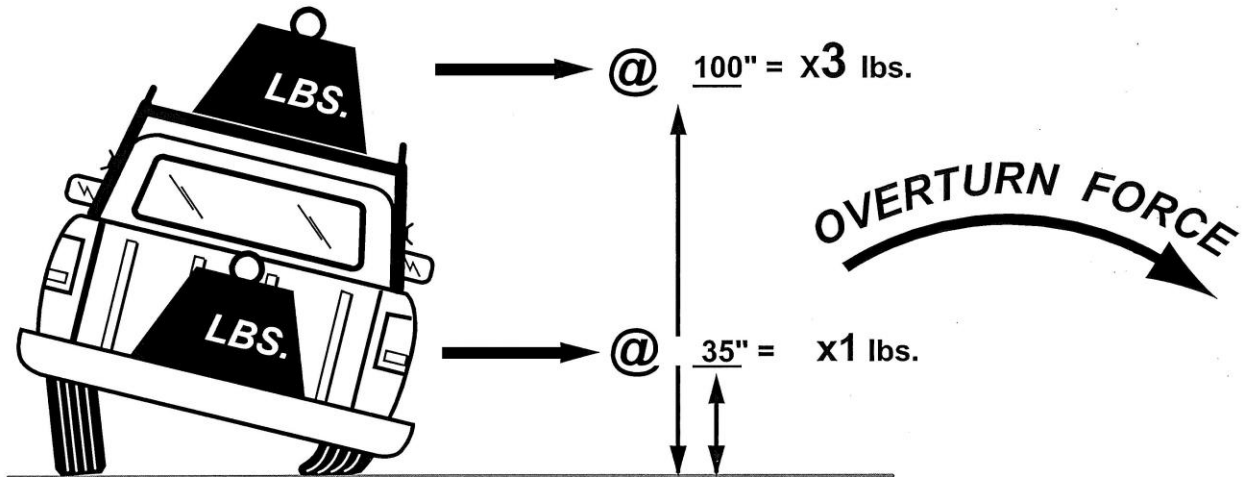
Parts List.....	3
Hardware Kit 18-00450B	4
Hardware Kit 18-31571.....	6
Tools Needed	6
Installation Preparation.....	6
Sealant Application Guidelines	7
Step 1A – Install Front Feet Using Clamps and T-nuts.....	7
Step 1B – Install Rear Feet.....	8
Step 1C – Permanently Bolting Front Feet to Bed Rail.....	8
Step 2 – Assemble Side Channels	8
Step 3 – Install Front Leg.....	9
Step 4 – Attach Rear Legs.....	9
Step 5 – Install Center Crossbar.....	9
Step 6 – Install Rear Crossbar.....	10
Step 7 – Install Front U-bar.....	10
Step 8 – Attach Wind Deflector.....	10
Step 9 – Attach Legs to Feet	11
Step 10 – Attach Front Supports	11
Step 11 – Tighten Hardware.....	11



Before You Begin

- Read all instructions carefully, and follow each step in proper sequence, for ease and speed in assembling your rack.
- These instructions cover the 80000 and 80020 Pro III Racks.
- **PROPER SEALANT APPLICATION IS CRITICAL TO PREVENTING WATER PENETRATION INSIDE THE RACK.** Apply a healthy bead of sealant entirely around every swaged joint and every bolt going through tubing. Improper sealing can lead to water penetration and rust on inside surfaces.

DON'T OVERLOAD YOUR VEHICLE!



WEIGHT CARRIED ABOVE THE FLOOR OF THE TRUCK BED (E.G., ON AN OVERHEAD TRUCK RACK) WILL SIGNIFICANTLY INCREASE THE VEHICLE'S TENDENCY TO OVERTURN. ALWAYS KEEP HEAVY LOADS EVENLY DISTRIBUTED AND AS LOW AS POSSIBLE. IT IS IMPORTANT TO NOTE THAT THE HOLMAN RACK LOAD BEARING CAPACITY MAY BE GREATER THAN YOUR TRUCK'S GAWR OR GVWR CAPACITY AND IS PROBABLY GREATER THAN THE WEIGHT THAT CAN BE SAFELY CARRIED OVERHEAD. ALWAYS RETIGHTEN ALL BOLTS AFTER FIRST USE. REGULARLY CHECK BOLTS FOR TIGHTNESS.

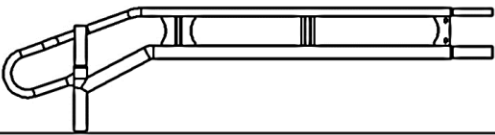
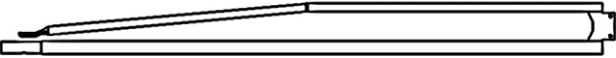


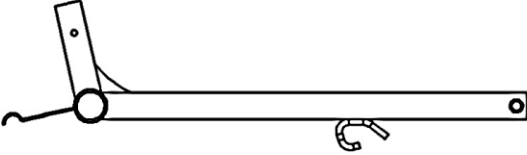

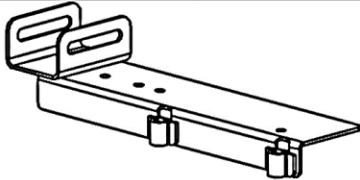
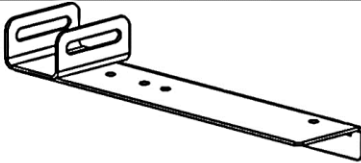
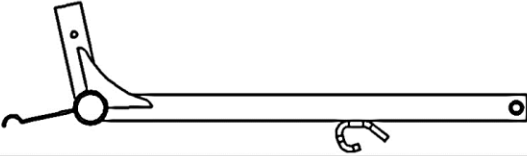
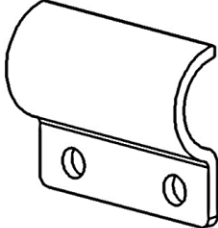
For *TECHNICAL SUPPORT* Call:

1.800.343.7486


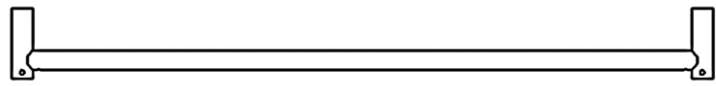

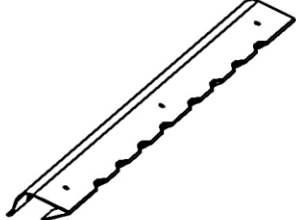
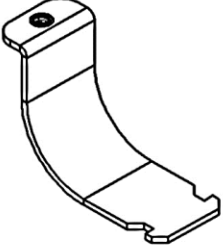
Monday-Friday, 7AM - 4 PM (PST)

www.Holman.com

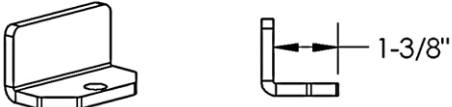
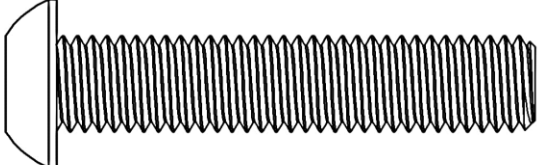
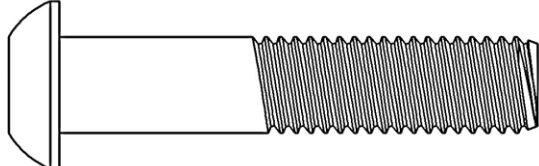
Parts List

NO.	ITEM	PART NUMBER	DESCRIPTION	QTY.
1		13-00990L	REAR SIDE CHANNEL, DS LH	1
2		13-0850 OR 13-01013	FRONT SIDE CHANNEL	2
3		13-00990R	REAR SIDE CHANNEL, PS RH	1
4		11-01013	BRACE PLATE	4
5		13-00855L OR 13-01010L	DS FRONT LEG	1
6		13-00853 OR 13-01014	REAR LEG	2
7		13-08287-L	PRO III FOOT ASSEMBLY - LEFT	2
8		13-08287-R	PRO III FOOT ASSEMBLY - RIGHT	2
9		13-00855R OR 13-01010R	PS FRONT LEG	1
10		12-00202-1	TOP TUBE HALF CLAMP	2

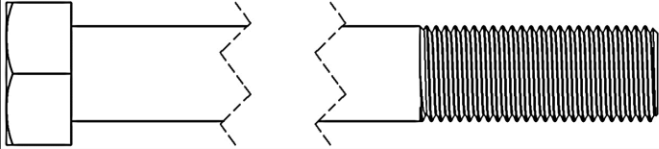
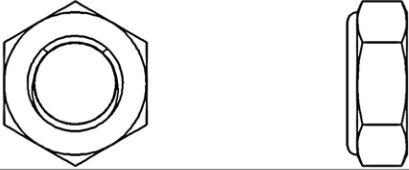
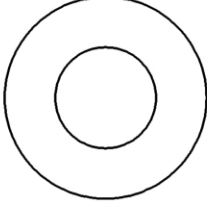
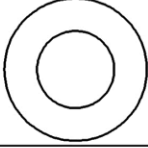


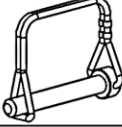
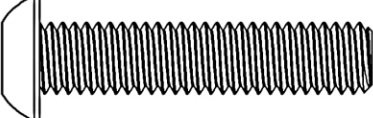
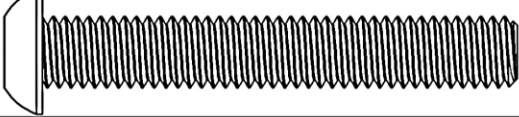
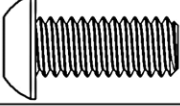


Parts List (Continued)

NO.	ITEM	PART NUMBER	DESCRIPTION	QTY.
11		101079 OR 11-01048	FRONT U-BAR	1
12		101082 OR 13-01012	REAR TAKE-OUT BAR ASSEMBLY	1
13		101080 OR 11-01052	FRONT CROSSBAR, LD	1
14		101719	WIND DEFLECTOR	1
15		8000S-017	WIND DEFLECTOR CLAMP	3
16		18-00450B	PRO III HARDWARE KIT	1
17		18-31571	HARDWARE KIT	1

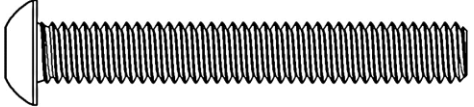
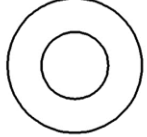
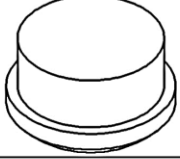
Hardware Kit 18-00450B

ITEM	HARDWARE TO SCALE	PART NUMBER	DESCRIPTION	QTY.
1		11-00700	RAIL CLAMP	6
2		0185355	1/2"-13 X 2-1/2" BUTTON HEAD BOLT	6
3			1/2"-13 X 2-1/2" PARTIALLY THREADED BUTTON HEAD CAP SCREW	2

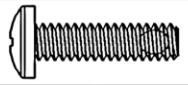
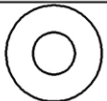
Hardware 18-00450B (Continued)

ITEM	HARDWARE TO SCALE	PART NUMBER	DESCRIPTION	QTY.
4		11105810	1/2"-13 X 3-3/4" HEX HEAD BOLT	4
5		37695	1/2"-13 THIN LOCKING JAM NUT	6
6		11137086	1/2" WASHER	10
7		0159723	3/8" FLAT WASHER	12
8		0169791	3/8"-16 LOCK NUT	10
9		11-00112	3/8"-16 T-NUT	2
10			3/8" X 2-1/8" WIRE LOCK CLEVIS PIN	2
11		94095	3/8"-16 X 1-3/4" BUTTON HEAD CAP SCREW	8
12		94718	3/8"-16 X 2-1/2" SOCKET CAP SCREW	4
13		0153308	5/16"-18 X 3/4" BUTTON HEAD SCREW	12
14			5/16"-18 X 3/8" SET SCREW	4
15		0169777	5/16"-18 LOCK NUT	14

Hardware 18-00450B (Continued)

ITEM	HARDWARE TO SCALE	PART NUMBER	DESCRIPTION	QTY.
16			5/16-18 X 2-1/4" BUTTON HEAD HEX DRIVE SCREW	2
17		90126A030	5/16" FLAT WASHER	16
18			1-5/8" PLASTIC CAP	2
19		SEALANT - 100 ML	SELF LEVELING ADHESIVE SEALANT	1

Hardware Kit 18-31571

ITEM	HARDWARE TO SCALE	PART NUMBER	DESCRIPTION	QTY.
1		0149489	10-32 X 3/4" PAN HEAD SCREW	3
2		33074	#10 FLAT WASHER	3

Tools Needed

1/2", 9/16", 3/4" Sockets and Wrench	3/4" Box Wrench
13/32" Drill Bit and Drill	5/32", 3/16", 7/32", 5/16" Allen Wrench
Rubber Mallet	#2 Philips Screwdriver

Installation Preparation



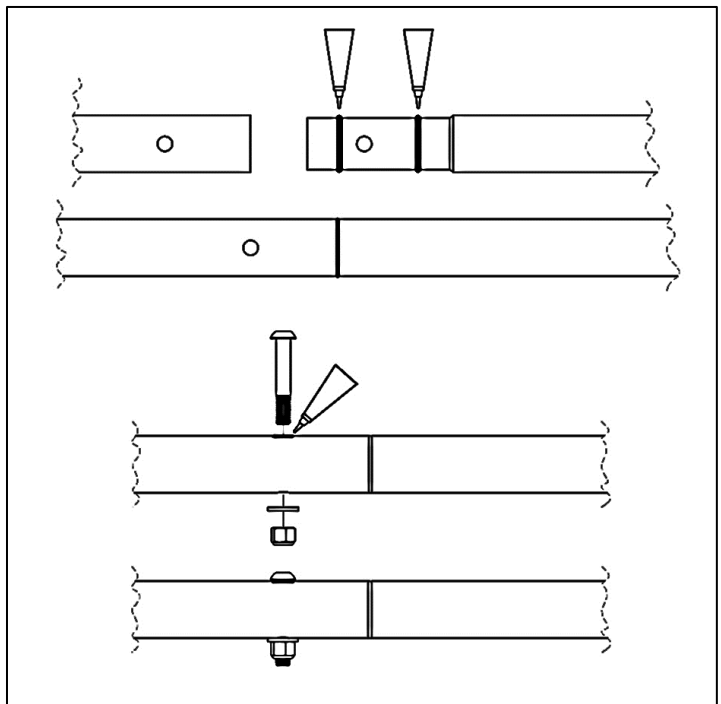
It is recommended the feet are secured to the truck bed using more than one type of method of attachment when mounting each foot. There are multiple ways to install the rack to the vehicle.

Recommended foot installation combinations are as follows:

- **(GOOD) No Drill Option**
Front: Stake pocket and rail clamp installation;
Rear: Rail clamp mounting
- **(BEST) Drill Required Option**
Front: Stake pocket, rail clamp, and permanent mounting;
Rear: Rail Clamp and permanent mounting

Sealant Application Guidelines

- Proper sealant application is critical to preventing water penetration inside the rack.
- Apply a healthy bead of sealant around every swaged joint as shown. Improper sealing can lead to water penetration and rust on inside surfaces.
- Wipe any excess sealant off immediately with a plastic scraper or paper towel. Any smeared sealant can be rubbed off as soon as sealant dries.
- Maintain this seal throughout the life of your rack.

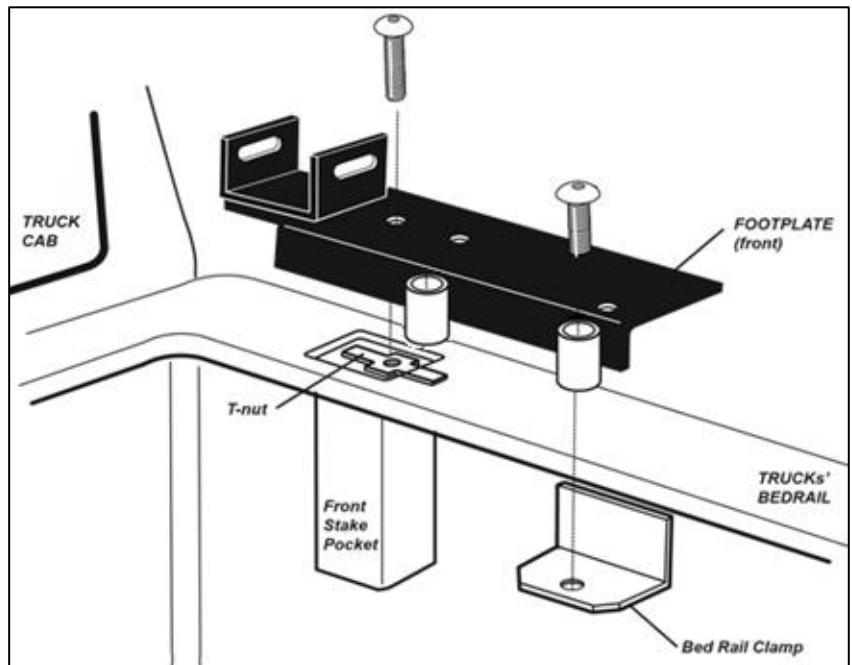


Step 1A – Install Front Feet

DO NOT OVER TIGHTEN ON DOUBLE WALL BED CONSTRUCTION, AS THIS MAY DEFORM THE SHEET METAL OF THE PICKUP BED!

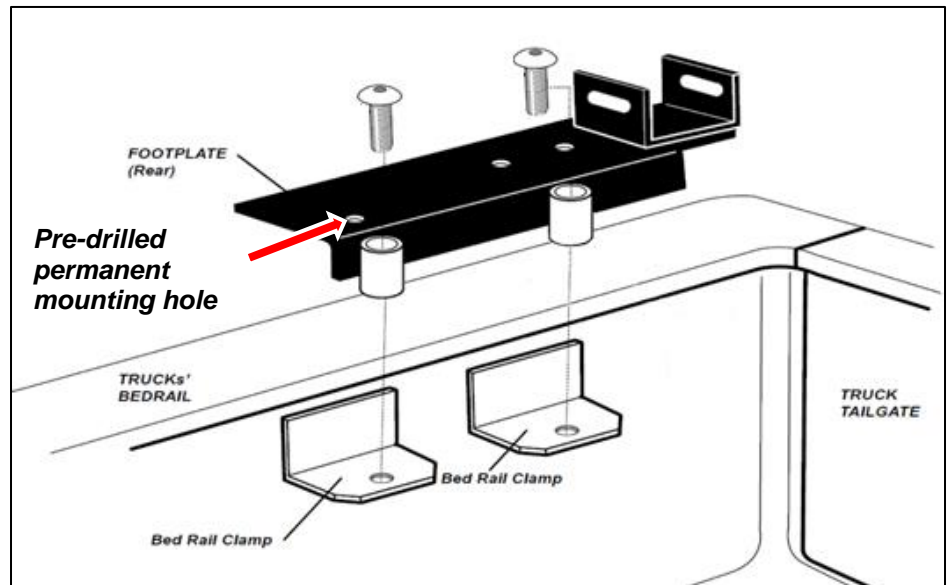
Typical installation of T-nuts is on front foot.

- Position front footplates on the truck bedrail, as far forward as possible, firmly against inside of the bed rail.
- Determine which pre-drilled hole (if any) falls over the stake pocket. If no pre-drilled holes fall over the stake pocket, mark, and drill a hole in the footplate that is approximately over the center of the stake pocket using a 13/32" drill bit.
- Remove front foot and insert a 3/8" x 2-1/2" button head screw, a 3/8" lock washer, and 3/8" flat washer through the chosen hole into a 3/8" t-nut.
- Snugly tighten but allow for movement.
- Holding the footplate firmly against the inside of the bed rail, insert a 1/2" x 2-1/2" **fully-threaded** button head screw through a foot saddle bushing and into a rail clamp, then tighten.
- Tighten T-nut.
- Install opposite foot in same position on opposite side of truck bed.
- To add strength to your installation, permanently mount to each foot per Step 1C.



Step 1B – Install Rear Feet

- Position the rear footplates to the rear as near the tailgate as possible.
- Holding the footplate firmly against the inside of the bed rail, insert a 1/2" x 2-1/2" **fully-threaded** button head screw through a foot saddle bushing and into a rail clamp, then tighten.
- Install opposite foot in **EXACT** same position on opposite side of truck bed.
- To add strength to your installation, permanently mount to each foot per Step 1C.



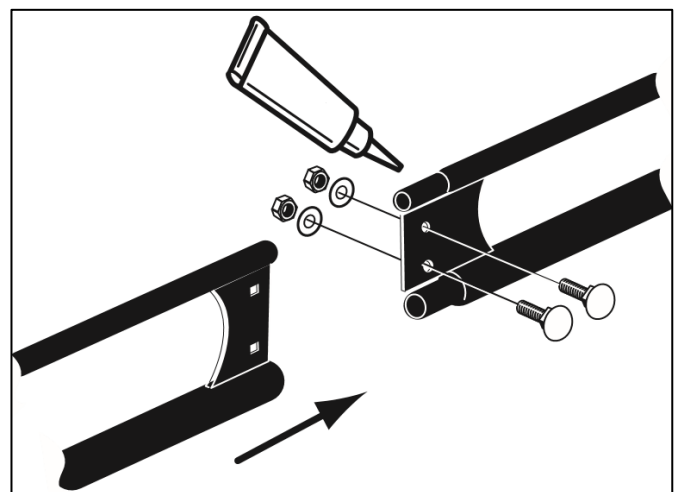
Step 1C – Permanently Bolting Feet to Bed Rail

Follow these steps to permanently mount the footplates to the bed rail.

- Verify the permanent mount location is accessible from inside the bed, below the bed rail. **Be sure the hardware will fit when installed.** Different vehicles have different possible mounting locations.
- With foot at the correct distance between front and rear feet and secured in place, do one of the following.
 - If holes are already available in foot, mark hole locations on bed rail, remove foot, and then drill holes through bed rail at marked location using a 13/32" drill bit.
 - If holes are not already available in foot, drill holes through foot and bed rail using a 13/32" drill bit.
- Using a 3/8" x 1-3/4" button head screw, two 3/8" flat washers, and a 3/8" lock nut, bolt through foot and bed rail to secure each foot to the bed.

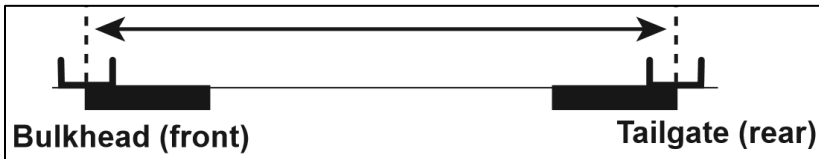
Step 2 – Assemble Side Channels

- Identify right and left rear side channels. Leg cups will angle outward.
- Cover entire swage joints with sealant and join front and rear side channels together, per the Sealant Application Guidelines above. **Be sure connecting plates overlap.**
- Using two 5/16" X 3/4" button head bolt, two 5/16" washers, and two 5/16" lock nuts, securely fasten channels together.
- Remove excess sealant.
- Repeat process for opposite side.

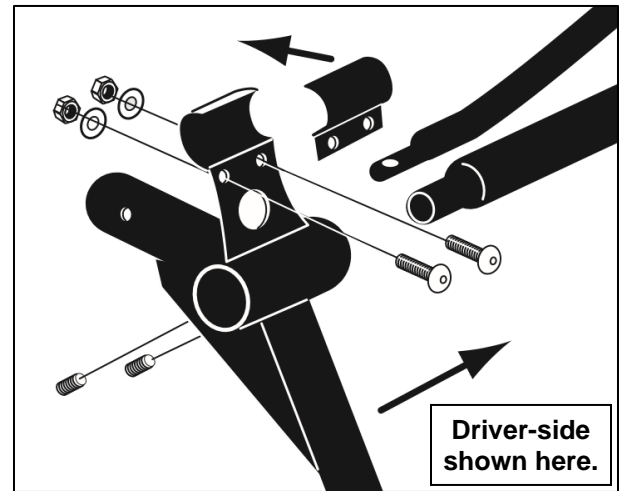


Step 3 – Install Front Leg

- Measure the center-to-center measurement between the front and rear footplate saddles. Final positioning of the front legs will follow.



- Slide the front leg onto the front side channel. **There is a RIGHT and a LEFT. Match to the correct side channel so that both FRONT and REAR legs angle outward.**

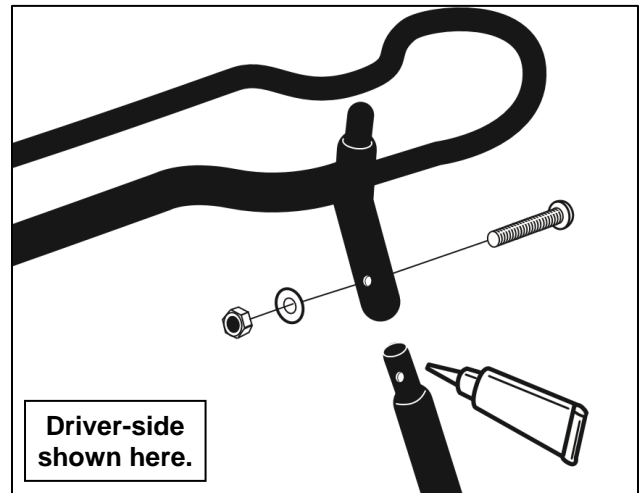


Note: The distance between front and rear legs should be no longer than the inside measurements of the bed itself.

- Install 5/16" set screws, position distance to match same as above, but do not tighten yet.
- Using two 5/16" X 3/4" button head bolts, two 5/16" washer, and two 5/16" lock nuts, loosely attach the top clamp.

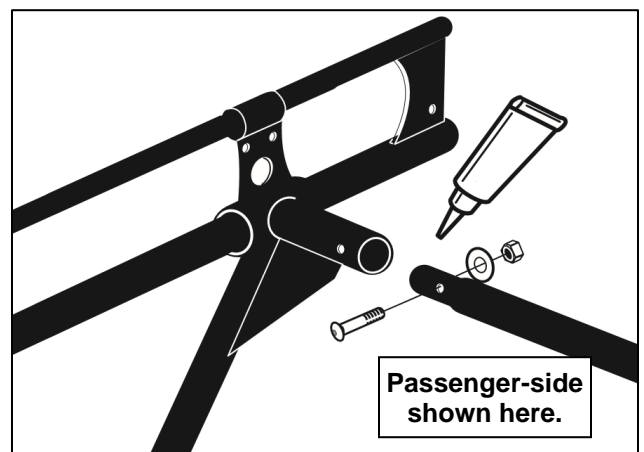
Step 4 – Attach Rear Legs

- Cover entire swage joints with sealant per the Sealant Application Guidelines above.
- Using a 3/8" x 2-1/2" button head bolt, two 3/8" washers, and one 3/8" lock nut, attach the rear legs to the rear side channel.
- Repeat process on opposite side.
- Remove excess sealant.



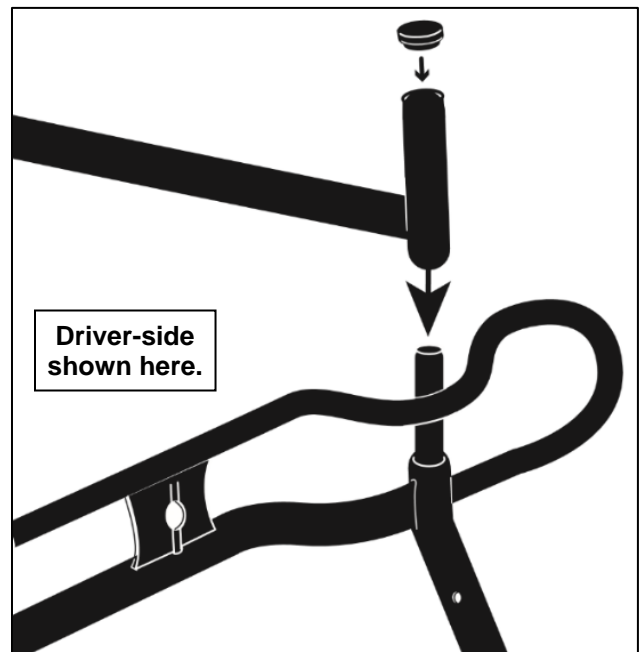
Step 5 – Install Center Crossbar

- Cover entire swage joints with sealant per the Sealant Application Guidelines above.
- Insert the center cross bar into the side rail cups.
- Using 5/16" x 2-1/4" button head bolts, two 5/16" washers, and a 5/16" lock nut, attach crossbar to front legs.
- Repeat process on opposite side.
- Remove excess sealant.



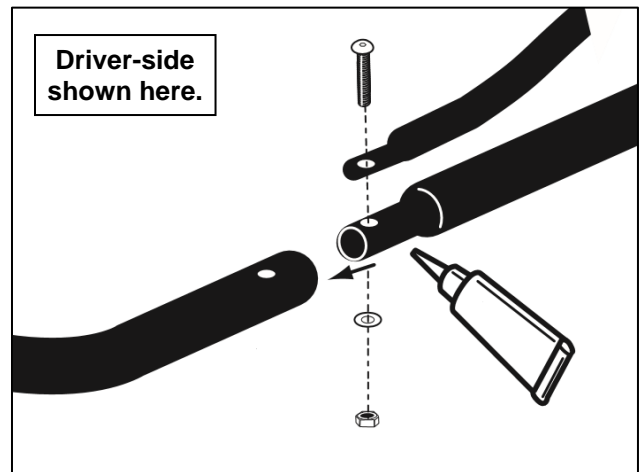
Step 6 – Install Rear Crossbar

- Set rear crossbar on table and using a clean, soft rubber mallet, install plastic caps onto the rear crossbar uprights, as shown here. **Be sure the rear crossbar is oriented correctly.**
- Slide the rear cross bar onto the rear leg posts at the top, as shown.
- Using wire lock clevis pin, secure rear crossbar in place.



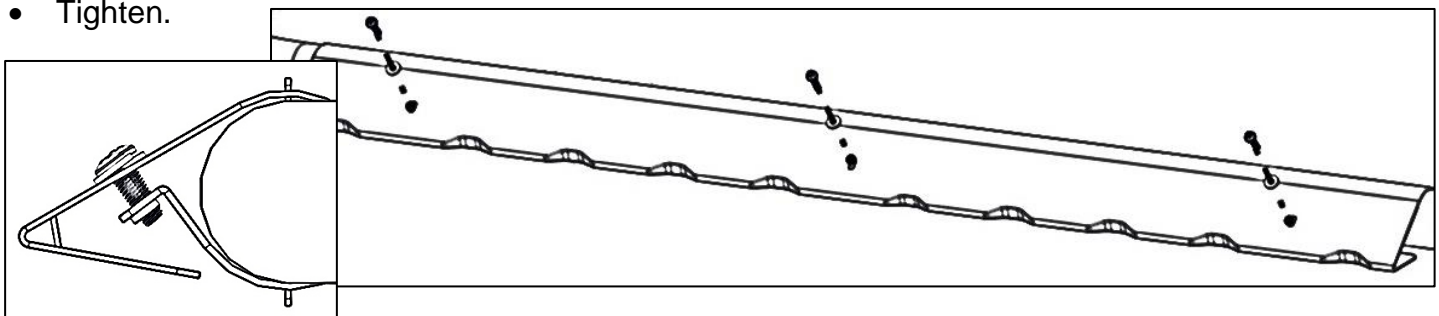
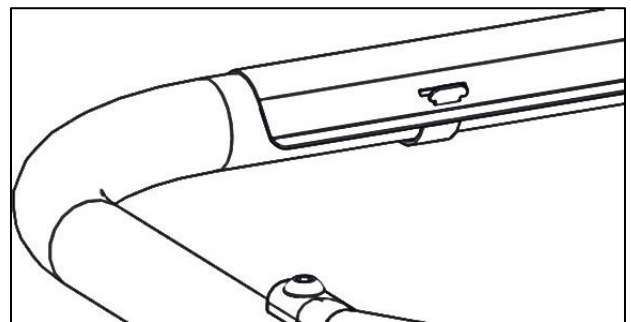
Step 7 – Install Front U-bar

- Apply sealant to front side-channel swaged joint per the Sealant Application Guidelines above.
- Insert front side-channel swaged joint into front U-bar until bolt holes in tube and side-channel align.
- Loosely fasten U-bar to side channel using a 1/2" x 2-1/2" **partially threaded** button head screw, a 1/2" washer, and a 1/2" lock nut.
- Remove excess sealant.
- Repeat process on opposite side.



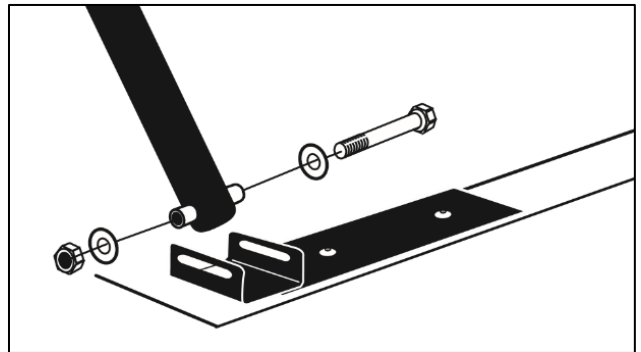
Step 8 – Attach Wind Deflector

- Position wind deflector on front U-bar.
- Insert wind deflector straps into slots on rear of wind deflector.
- Using #10 x 3/4" screws and #10 washers, bolt through top of wind deflector into press-in nuts on wind deflector straps.
- Tighten.



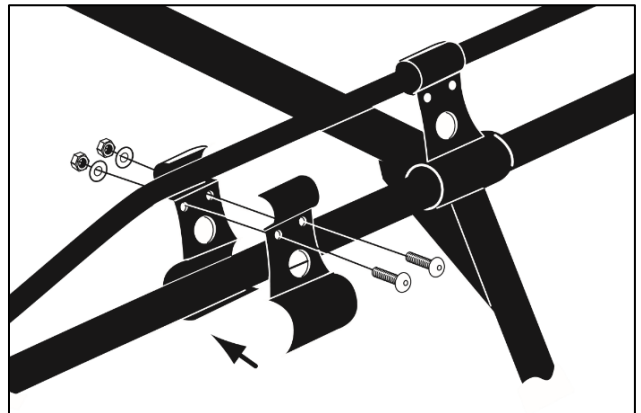
Step 9 – Attach Legs to Feet

- Lift rack and set legs into slotted channel.
- Insert 1/2" x 3-3/4" hex head bolt and 1/2" flat washer through slotted channel and leg.
- LOOSELY install 1/2" washer and 1/2" jam nut onto opposite end of 1/2" x 3-3/4" hex head bolt.
- Repeat for each leg.



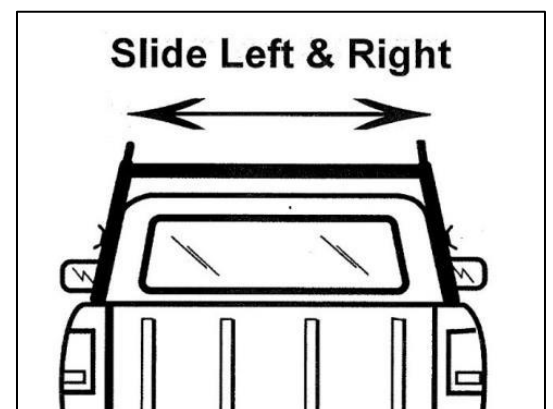
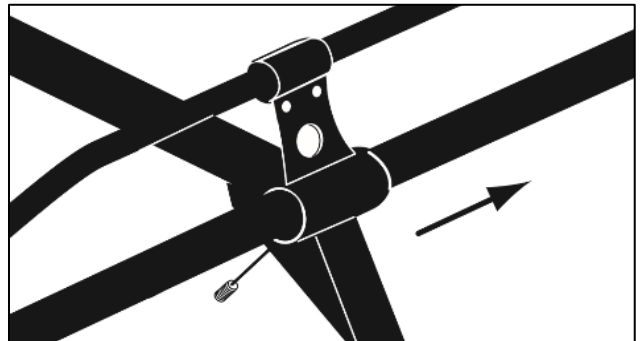
Step 10 – Attach Front Brace Plates

- Using two 5/16" x 3/4" button head bolts, two 5/16" washers, and two 5/16" lock nuts, attach the brace plates upright where the 1" tube begins to bend downward. If the front legs are all the way forward and there is not enough room for the brace plates, install the brace plates halfway between front leg and side channel joints from Step 3.
- Tighten down all nuts and bolts, **EXCEPT 1/2" LEG-TO-FOOT BOLTS AND SET SCREWS.**



Step 11 – Tighten Hardware

- Check that the front legs and front crossbar are at the correct distance and are square to the rack.
- Tighten up the bolts on the crossbar and clamp plates. **DO NOT TIGHTEN SET SCREWS.**
- Center rack over bed and tighten front leg-to-foot bolts. On rear bolts be sure lock pins slide in and out smoothly and freely before tightening the rear bolts. If necessary, loosen center crossbar hardware, then slide rear crossbar hard left and right to get lock-pins to seat properly.
- Tighten set screws and leg-to-foot bolts.



GO BACK AND TIGHTEN ALL HARDWARE.

INSTALLATION AND ASSEMBLY ARE COMPLETE.